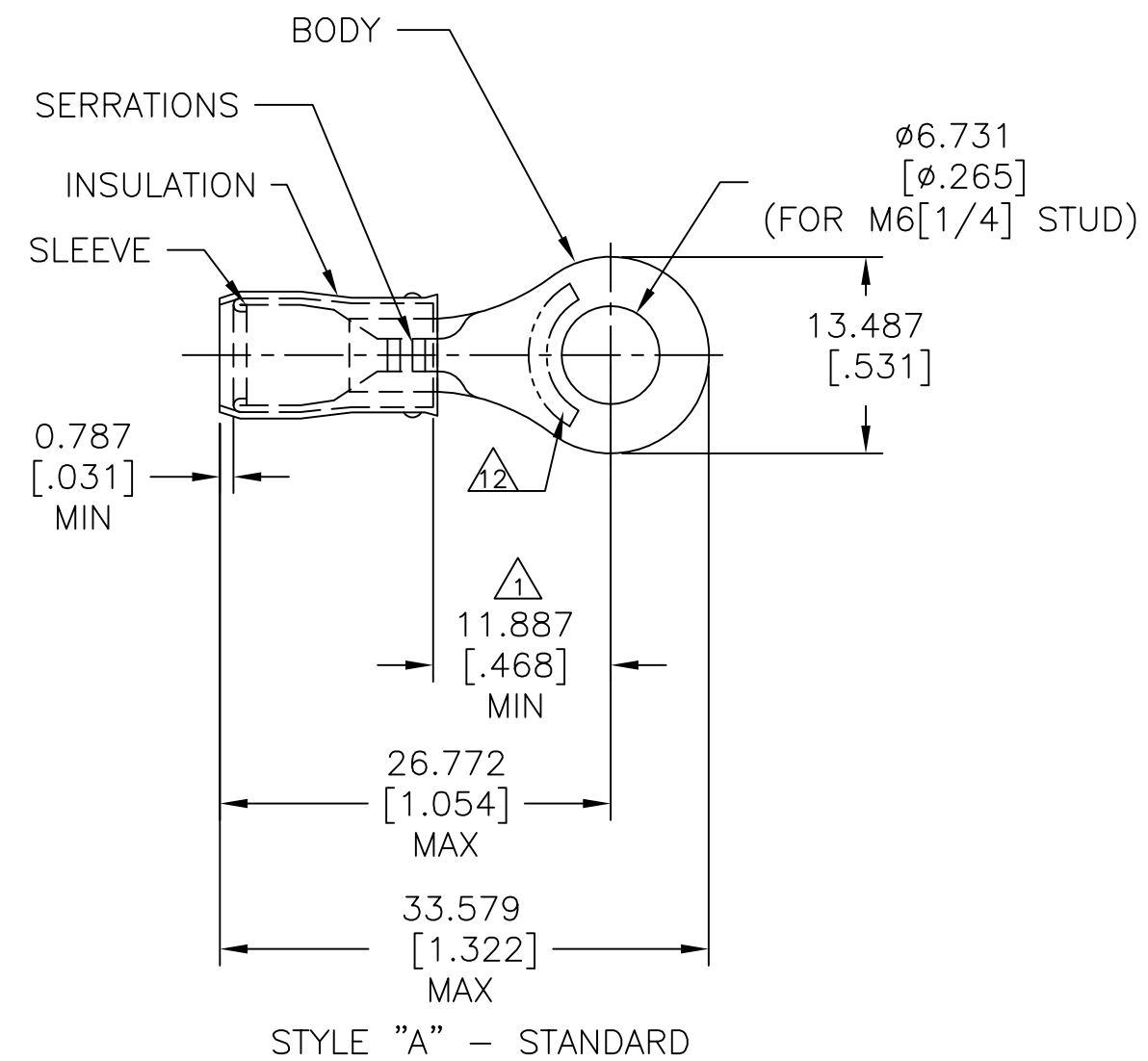


REVISIONS					
P	LTR	DESCRIPTION	DATE	DWN	APVD
	U	REVISED PER ECO-14-015277	21FEB2015	NK	DR
	U1	REVISED PER ECO-17-007400	19DEC2017	RS	DR

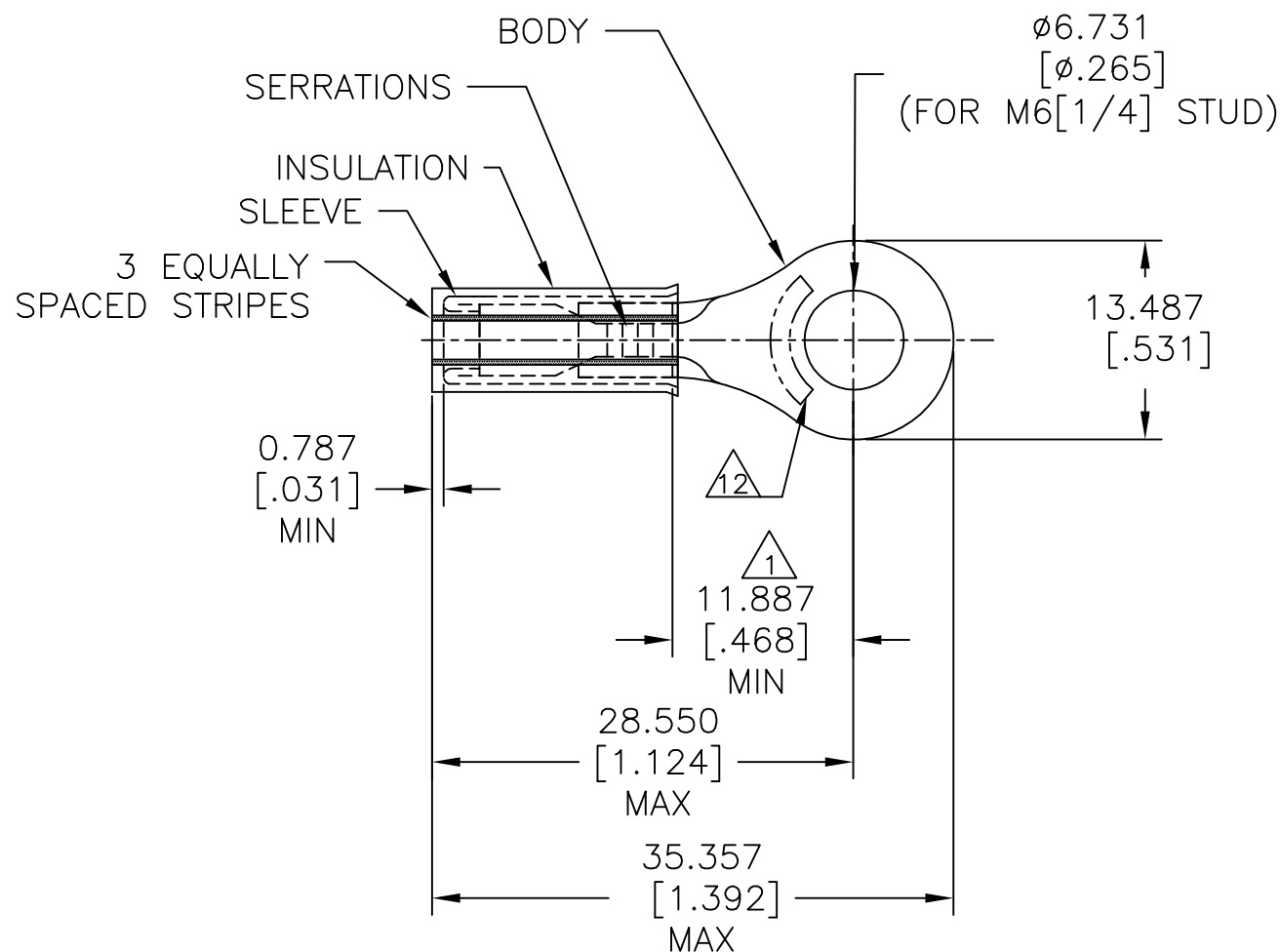


- 1 APPLIES FROM EDGE OF METAL WIRE BARREL TO CENTER OF STUD HOLE.
- 2 BODY MATERIAL THK 1.016±0.051 [.040±.002]
- 3 105°C[221°F] MAX OPERATING TEMPERATURE
- 4 300 VOLT MAX.
- 5 CIRCULAR MIN AREA: 2.62-6.64 mm² [5180-13100] SOLID OR STRANDED.
- 6 UL LISTED E13288 12-10 AWG SOLID OR STRANDED.
- 7 CSA CERTIFIED LR7189 12-10 AWG SOLID OR STRANDED.
- 8 MILITARY MS25036-157 CLASS 1.
- 9 MILITARY MS25036-157 CLASS 2.
- 10 MATERIAL:
BODY & SLEEVE: COPPER PER ASTM B-152
INSULATION: NYLON PER ASTM D-4066, TYPE 1.
- 11 FINISH:
BODY & SLEEVE: TIN PLATE PER ASTM B-545
INSULATION: COLOR-YELLOW.
- 12 STAMP AMP SEE TABLE, APPROX AS SHOWN.

2500	NONE	12-10	3.810-5.842 [.150-.230]	AMP 12-10*	"A"	ON TAPE	2-320569-3
500	NONE	12-10	3.810-5.842 [.150-.230]	AMP 12-10*	"A"	LOOSE PIECE	320569
QTY	COLOR STRIPE	WIRE SIZE	FOR WIRE INSULATION OD	STAMP	STYLE	PACKAGING	PART NO.

THIS DRAWING IS A CONTROLLED DOCUMENT.		DWN RAGHAVENDRA 08SEP2008	TE Connectivity	
		CHK T MICHIELUTTI 08SEP2008		
DIMENSIONS: mm [INCHES]		TOLERANCES UNLESS OTHERWISE SPECIFIED:		APVD T MICHIELUTTI 08SEP2008
		0 PLC ± -		NAME
		1 PLC ± -		PRODUCT SPEC
MATERIAL		2 PLC ± -		UL 486 A-B
		3 PLC ± 0.127[.005]		APPLICATION SPEC
		4 PLC ± -		114-2157
		ANGLES ± 0°30'		WEIGHT
		FINISH		-
CUSTOMER DRAWING			SIZE	RESTRICTED TO
			A3	-
			CAGE CODE	DRAWING NO
			00779	320569
			SCALE	SHEET
			2:1	1 OF 2
			REV	U1

P	LTR	DESCRIPTION	DATE	DWN	APVD
-	-	SEE SHEET 1	-	-	-



STYLE "B" - INSULATION RESTRICTING

- 1 APPLIES FROM EDGE OF METAL WIRE BARREL TO CENTER OF STUD HOLE.
- 2 BODY MATERIAL THK 1.016±0.051 [.040±.002]
- 3 105°C[221°F] MAX OPERATING TEMPERATURE
- 4 300 VOLT MAX.
- 5 CIRCULAR MIN AREA: 2.62-6.64 mm² [5180-13100] SOLID OR STRANDED.
- 6 MILITARY M7928/1-59 CLASS 1.
- 7 MILITARY M7928/1-66 CLASS 1.
- 8 MILITARY M7928/1-59 CLASS 2.
- 9 MILITARY M7928/1-66 CLASS 2.
- 10 MATERIAL:
BODY & SLEEVE: COPPER PER ASTM B-152
INSULATION: NYLON PER ASTM D-4066, TYPE 1.
- 11 FINISH:
BODY: TIN PLATE PER ASTM B-545
SLEEVE: NICKEL PLATE PER QQ-N-290
INSULATION: COLOR-YELLOW.
- 12 STAMP AMP SEE TABLE, APPROX AS SHOWN.

500	BROWN	10	3.023-5.080 [.119-.200]	AMP 10*	"B"	LOOSE PIECE	2-320569-6
500	YELLOW	12	2.413-5.080 [.095-.200]	AMP 12*	"B"	LOOSE PIECE	2-320569-5
QTY	COLOR STRIPE	WIRE SIZE	FOR WIRE INSULATION OD	STAMP	STYLE	PACKAGING	PART NO.

THIS DRAWING IS A CONTROLLED DOCUMENT.

DIMENSIONS:	TOLERANCES UNLESS OTHERWISE SPECIFIED:
mm [INCHES]	
	0 PLC ± -
	1 PLC ± -
	2 PLC ± -
	3 PLC ± 0.127[.005]
	4 PLC ± -
ANGLES	± 0°30'

MATERIAL	FINISH

DWN	08SEP2008
RAGHAVENDRA	
CHK	08SEP2008
T MICHIELUTTI	
APVD	08SEP2008
T MICHIELUTTI	
PRODUCT SPEC	
APPLICATION SPEC	
114-2157	
WEIGHT	-
CUSTOMER DRAWING	

TE Connectivity			
NAME			
TERMINAL			
RING TONGUE, NYLON, PIDG, IR,			
WIRE SIZE: 12 & 10 AWG			
SIZE	CAGE CODE	DRAWING NO	RESTRICTED TO
A3	00779	C=320569	-
SCALE		SHEET	REV
2:1		2 OF 2	U1