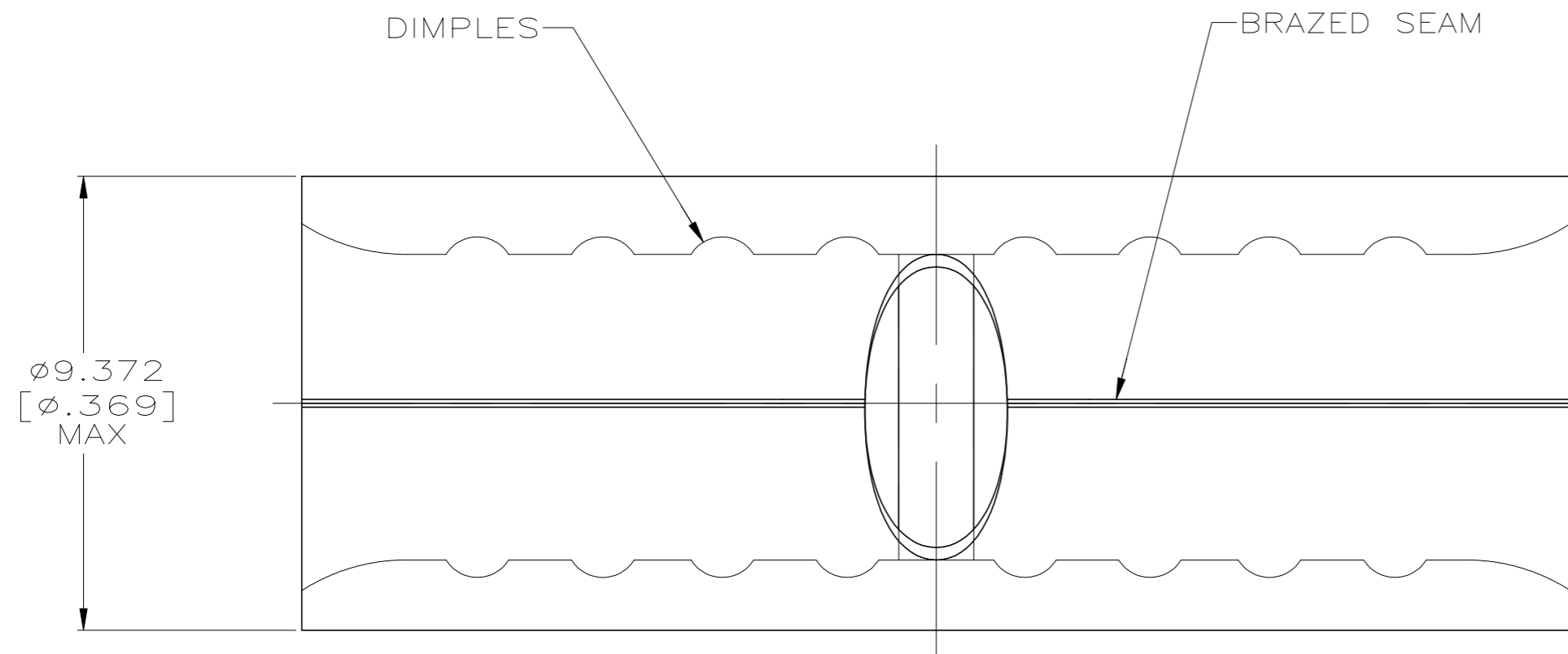
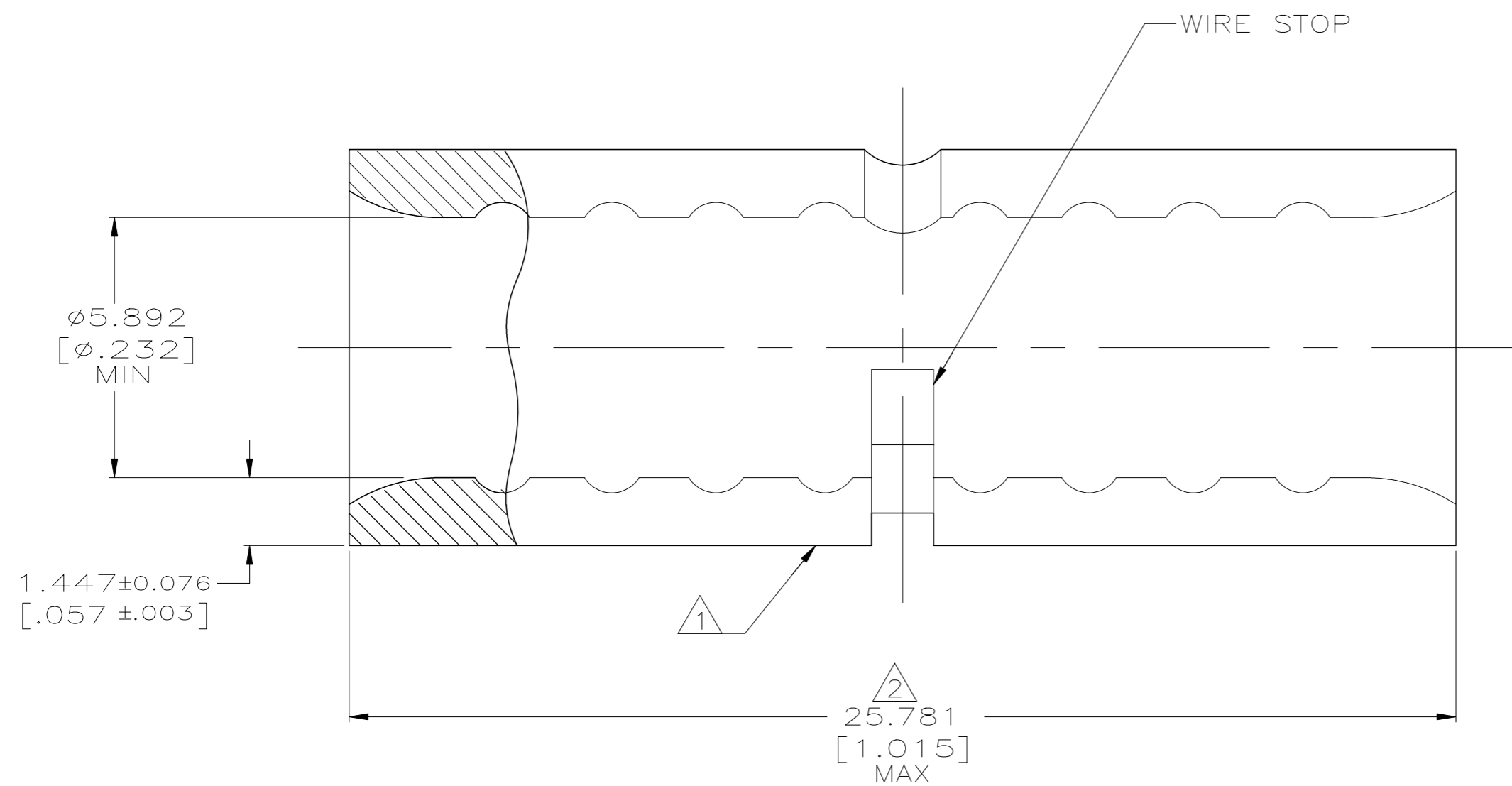


THIS DRAWING IS UNPUBLISHED. RELEASED FOR PUBLICATION
 © COPYRIGHT - TE Connectivity Ltd. ALL RIGHTS RESERVED.

REVISIONS					
P	LTR	DESCRIPTION	DATE	DWN	APVD
	H2	REVISED PER ECO-18-015553	04OCT2018	RS	DR
	H3	REVISED PER ECO-19-004231	20MAR2019	RS	DR



AMP WIRE RANGE	Listed FILE E13288
6 AWG SOLID OR STRANDED	6 AWG STRANDED



- ① STAMP AMP 6W* APPROX AS SHOWN
- ② MAXIMUM LENGTH DOES NOT INCLUDE MANUFACTURING TABS
- 3 NOTE DELETED
- 4 NOTE DELETED
- ⑤ SILVER PLATE 0.01270[.000500] MIN THK PER QQ-S-365
- ⑥ NICKEL PLATE 0.00762[.000300] MIN THK PER SAE AMS QQ-N-290
- ⑦ COPPER PER ASTM B-152, ANNEALED

⑧	⑤	170°C[338°F] MAX	2-324309-2
	⑥	343°C[649°F] MAX	324309-2
	FINISH	TEMPERATURE RATING	PART NO.

AMP INCORPORATED CUSTOMER SERVICE SYSTEMS		MAX RECOMMENDED OPERATING TEMPERATURE: SEE TABLE
FOR ADDITIONAL PRODUCT INFORMATION OR COPIES OF DRAWINGS AND TECHNICAL DOCUMENTS	PRODUCT INFORMATION CENTER 1-800-522-6752	VOLTAGE RATING: N/A
FOR APPLICATION TOOLING INFORMATION	TOOLING ASSISTANCE CENTER 1-800-722-1111	CIRCULAR MIL AREA: 10.5-16.8mm ² [20,800-33,100] SOLID OR STRANDED
FOR ORDER ENTRY	1-800-526-5142	THIS DRAWING IS A CONTROLLED DOCUMENT FOR AMP INCORPORATED. IT IS SUBJECT TO CHANGE AND THE CONTROLLING ENGINEERING ORGANIZATION SHOULD BE CONTACTED FOR THE LATEST REVISION.

THIS DRAWING IS A CONTROLLED DOCUMENT.		DWN DK_SCHRUM 5/2/94	TE Connectivity	
DIMENSIONS: mm [INCHES]		CHK DA PATTERSON 5/5/94		
TOLERANCES UNLESS OTHERWISE SPECIFIED:		APVD JL MECKLEY 5/5/94	NAME	
0 PLC ± -		PRODUCT SPEC	SPLICE, BUTT, W/ SIGHT HOLE, SOLISTRAND 6 AWG	
1 PLC ± -		APPLICATION SPEC	SIZE	CAGE CODE
2 PLC ± -			A2	00779
3 PLC ± -			DRAWING NO	RESTRICTED TO
4 PLC ± -			C=324309	-
ANGLES ± -			SCALE	SHEET
FINISH		WEIGHT	8:1	1 of 1
SEE TABLE		CUSTOMER DRAWING	REV	H3