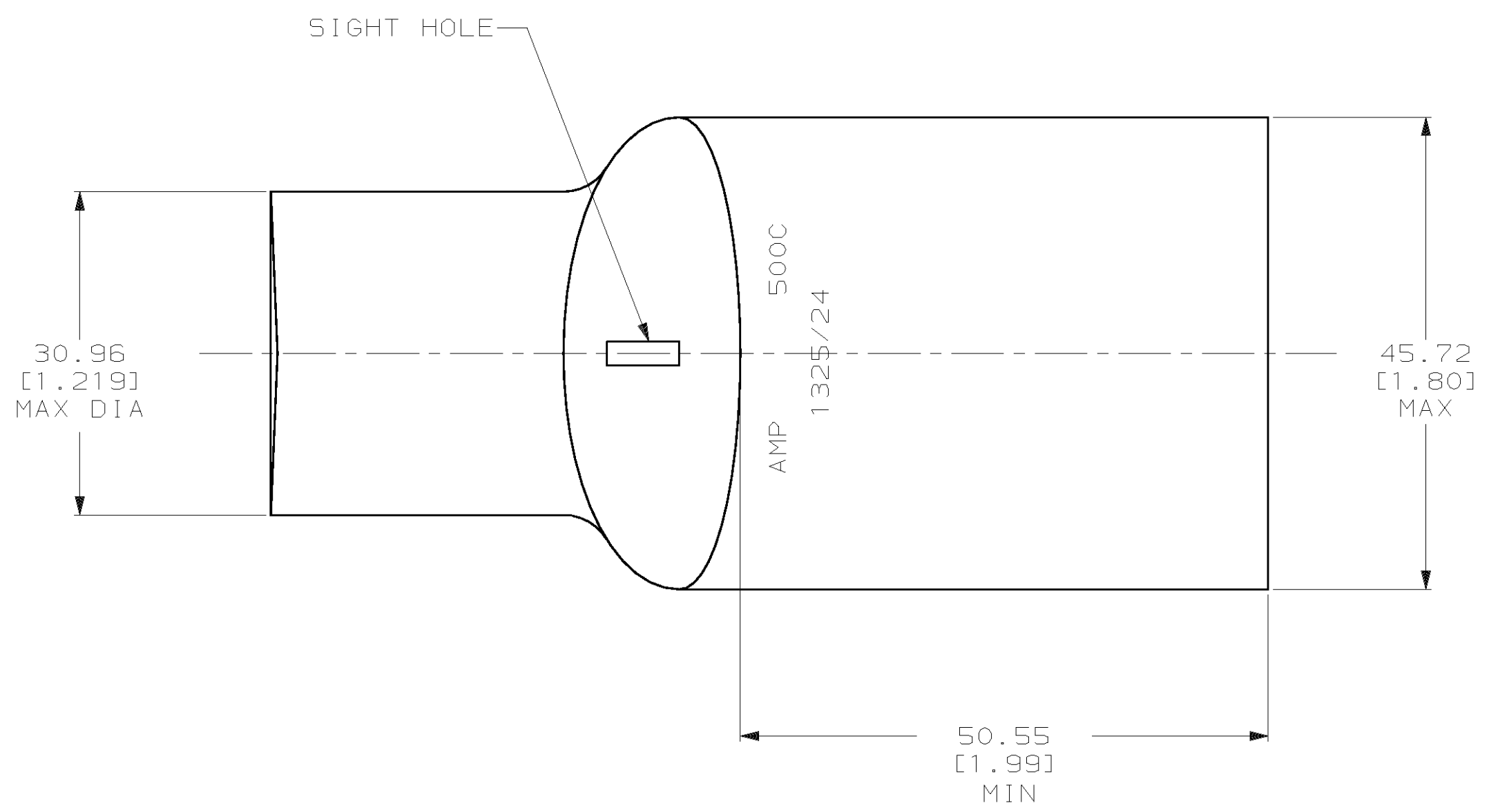
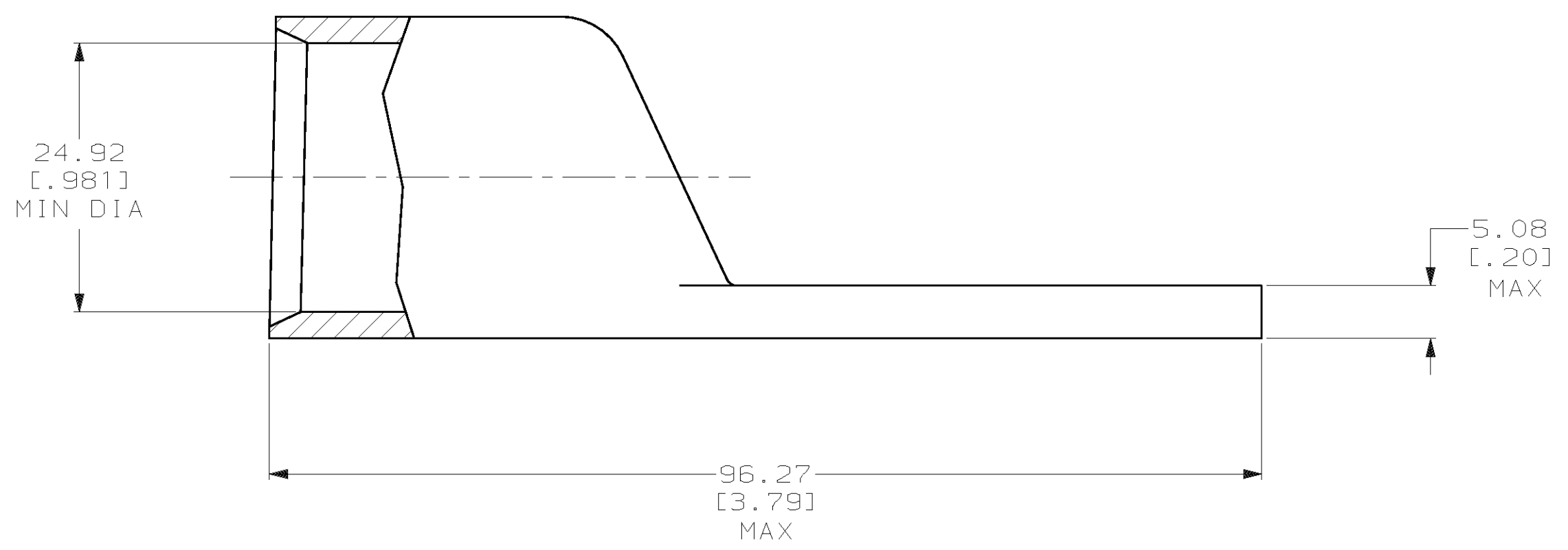


THIS DRAWING IS UNPUBLISHED. RELEASED FOR PUBLICATION
 © COPYRIGHT 19 BY AMP INCORPORATED. ALL INTERNATIONAL RIGHTS RESERVED.

LOC		DIST		P		F		ZONE		LTR		REVISIONS		DATE	APPD
G		86								R		REV PER 0G3A-0561-01		08OCT02	JR



1 CIRCULAR MIL AREA RANGE: 450-550 MCM



2-326111-1
PART NO

DO NOT SCALE PRINT. UNLESS SPECIFIED DIMENSIONS IN mm [INCHES] TOLERANCES ON : 2 PLC DEC ± 0.51 [.020] 3 PLC DEC ± - ANGLES ± -	DR 03/09/90 DK SCHRUM	NAME AMP AMP INCORPORATED Harrisburg, Pa. 17105
	CHK 24JAN95 MS FEHER	
MATERIAL ANNEALED COPPER ASTM B-75	APPD 24JAN95 WJ VOCKROTH	TERMINAL, AMPPOWER™ WIRE SIZE: 500 MCM
	APPD 24JAN95 TL SHUTTER	
FINISH CLEANED	PRODUCT SPEC 108-30200	SIZE C
	APPLICATION SPEC -	CAGE CODE 00779
	WEIGHT .386 LB	DRAWING NO 326111
		SCALE 2:1
		SHEET 1 OF 1

