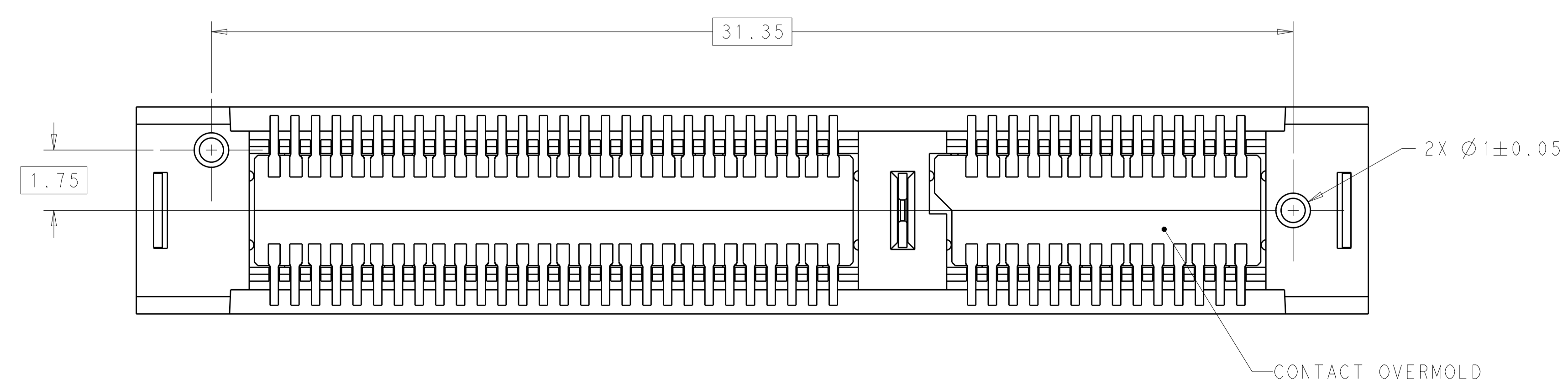
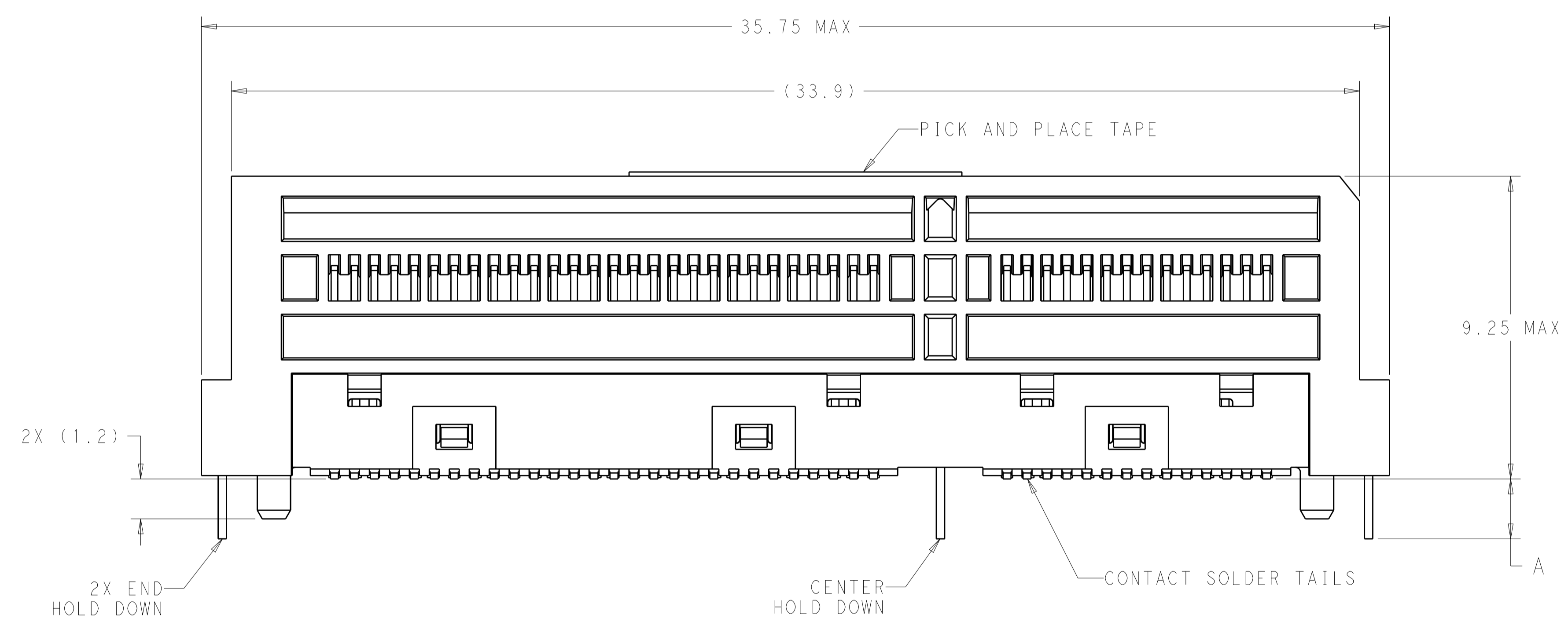
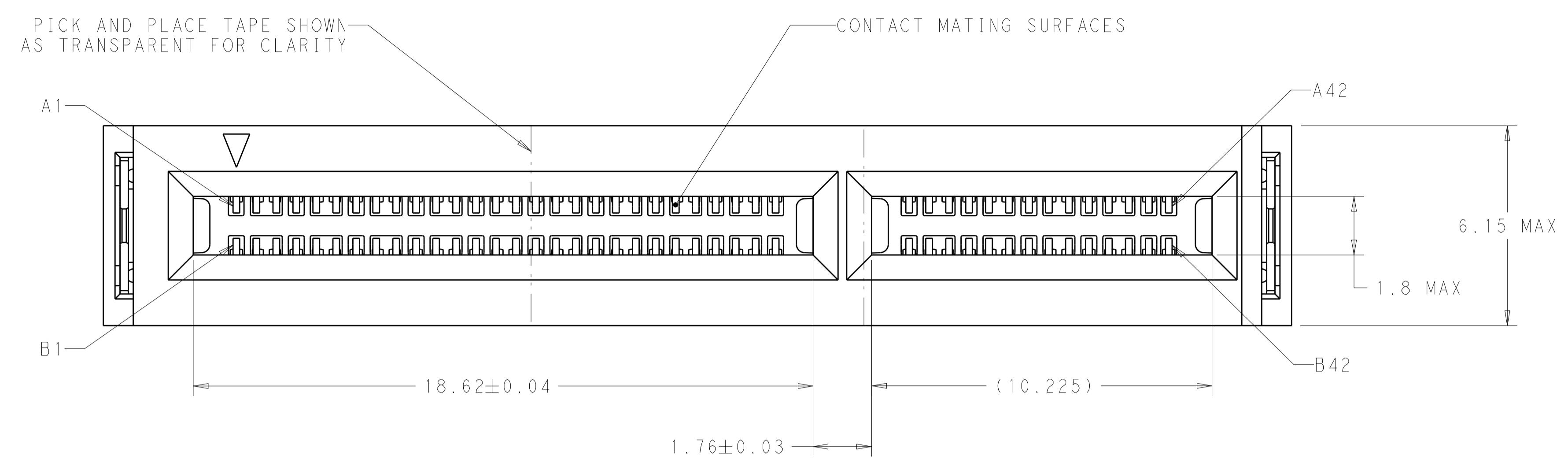
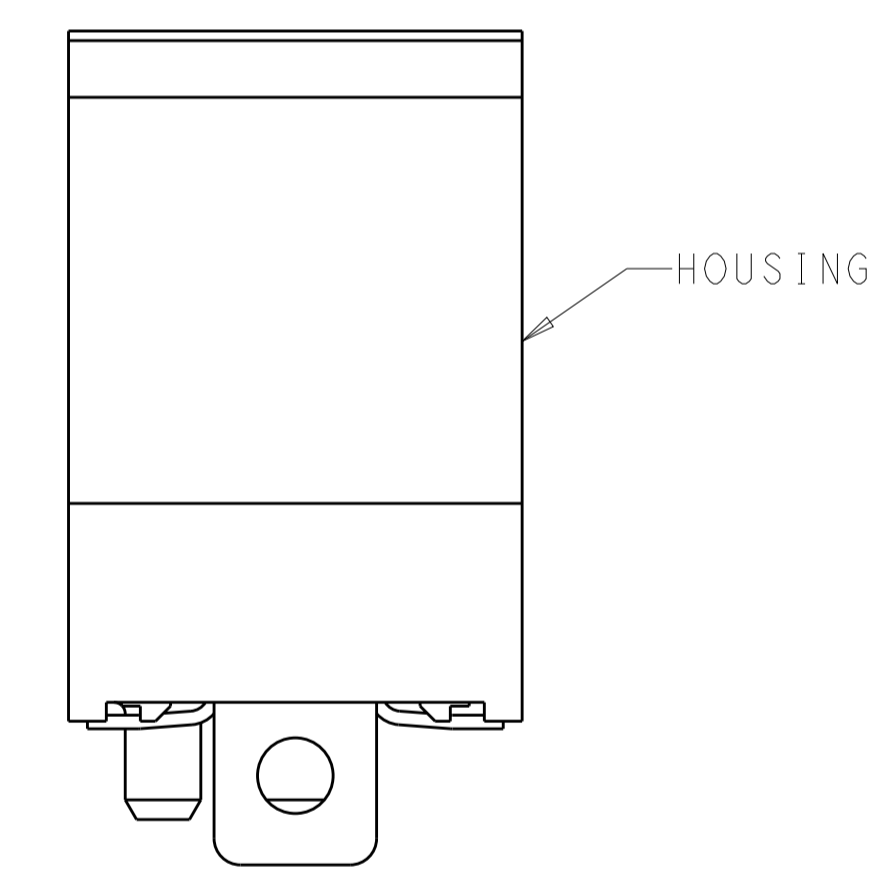


REVISIONS				
P.	LTN.	DESCRIPTION	DATE	APVD.
A		RELEASED	17MAY2019	CJV JW
B		REVISED PER ECO-19-011736	07AUG2019	AP JW



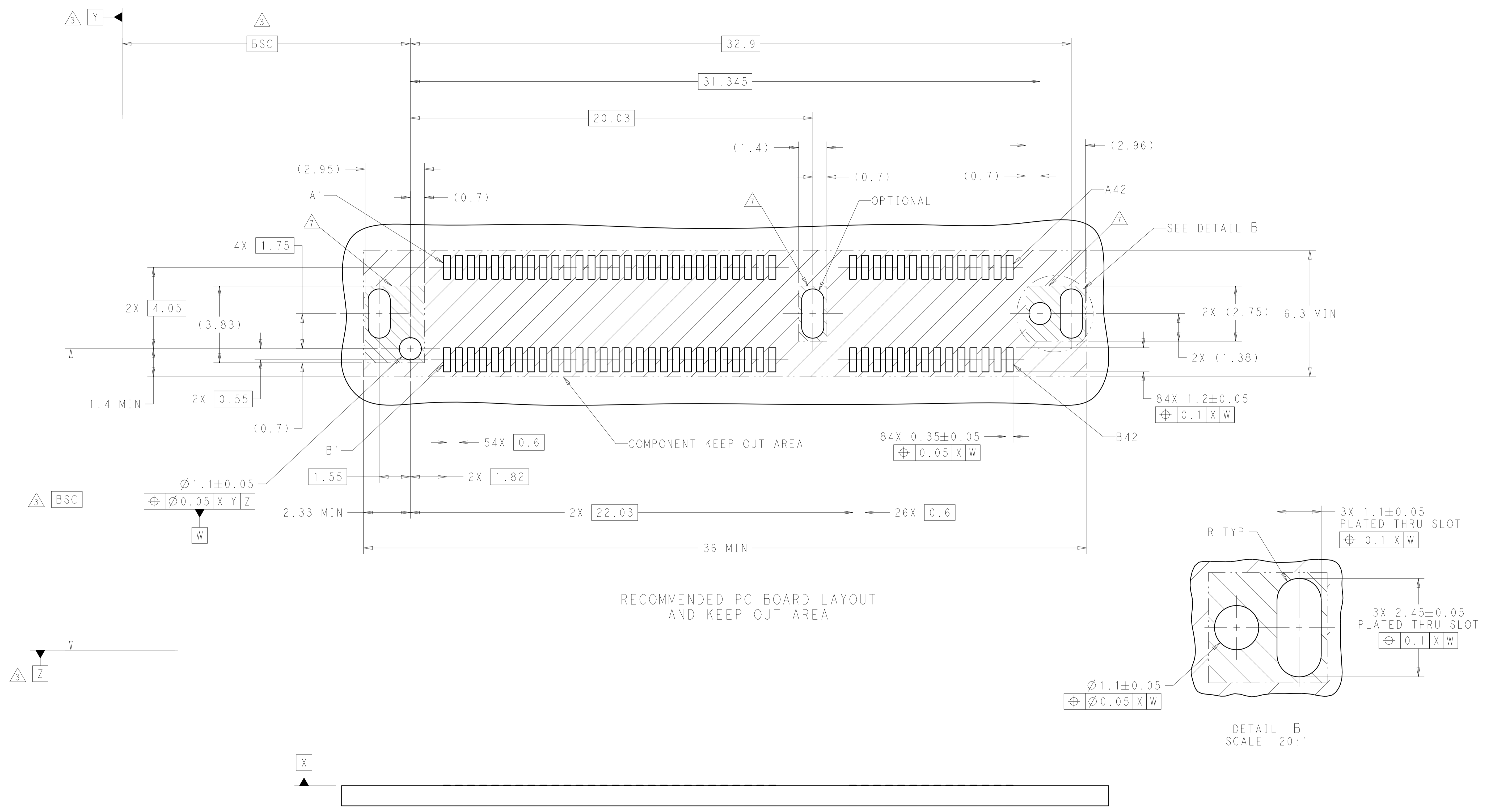
- ⚠ HOUSING AND CONTACT OVERMOLDS - LCP, UL94-V0, BLACK. CONTACTS AND HOLD DOWNS - COPPER ALLOY. PICK AND PLACE TAPE - POLYIMIDE FILM.
- ⚠ CONTACTS - GOLD PLATE ON MATING SURFACES, TIN PLATE ON SOLDER FEET. HOLD DOWNS - TIN PLATE.
- ⚠ DATUMS AND BASIC DIMENSIONS ESTABLISHED BY CUSTOMER.
- 4. MINIMUM HOST PCB THICKNESS: 1.5.
- ⚠ SEE MSA SPECIFICATION FOR ADDITIONAL PADDLE CARD LAYOUTS COMPATIBLE WITH THIS RECEPTACLE AND FOR OPTIONAL SPLIT CONTACT PAD LAYOUTS FOR THE PADDLE CARD. SPECIFICATION PINOUT MAY ALSO DESIGNATE PAD SEQUENCE DIFFERENT FROM ILLUSTRATION.
- ⚠ POSITIONS DESIGNATED AS "SIGNAL" ARE REQUIRED LOCATIONS FOR HIGH SPEED DIFFERENTIAL PAIR SIGNALING. THESE LOCATIONS MAY ALSO BE USED FOR SUPPORTING SIDEBAND SIGNALS OR OTHER UTILITY PURPOSES. POSITIONS DESIGNATED AS "GROUND" ARE REQUIRED WHEN SUPPORTING HIGH SPEED DIFFERENTIAL SIGNALS. THESE LOCATIONS MAY ALSO BE USED FOR SIDEBAND SIGNALS OR OTHER UTILITY PURPOSES.
- ⚠ COMPONENT AND TRACE KEEP OUT AREA. EACH EDGE 0.15 MIN FROM EDGE OF HOLE.
- ⚠ TAPE AND REEL PACKAGED FOR PICK AND PLACE SMT PROCESSING, SEE FIGURE 1. POCKET TAPE WIDTH = 56.



SEE SHEET 4 FOR PART TABLE

THIS DRAWING IS A CONTROLLED DOCUMENT.		OWN: C. VALENTINE 16JAN2018	TE Connectivity
		CHK: D. HARMON 16JAN2018	
DIMENSIONS: mm		APVD: D. HARMON 16JAN2018	NAME: RECEPTACLE ASSEMBLY, VERTICAL, 84 POSITION, SLIVER 2.0
TOLERANCES UNLESS OTHERWISE SPECIFIED:		PRODUCT SPEC: 108-130021	SIZE: A1
0 PLC ±		APPLICATION SPEC: 114-130008	CAGE CODE: -
1 PLC ±		WEIGHT: -	DRAWING NO: C=2327678
2 PLC ±		CUSTOMER DRAWING	SCALE: 10:1
3 PLC ±			SHEET 1 OF 4
4 PLC ±			REV B
ANGLES ±			
FINISH			

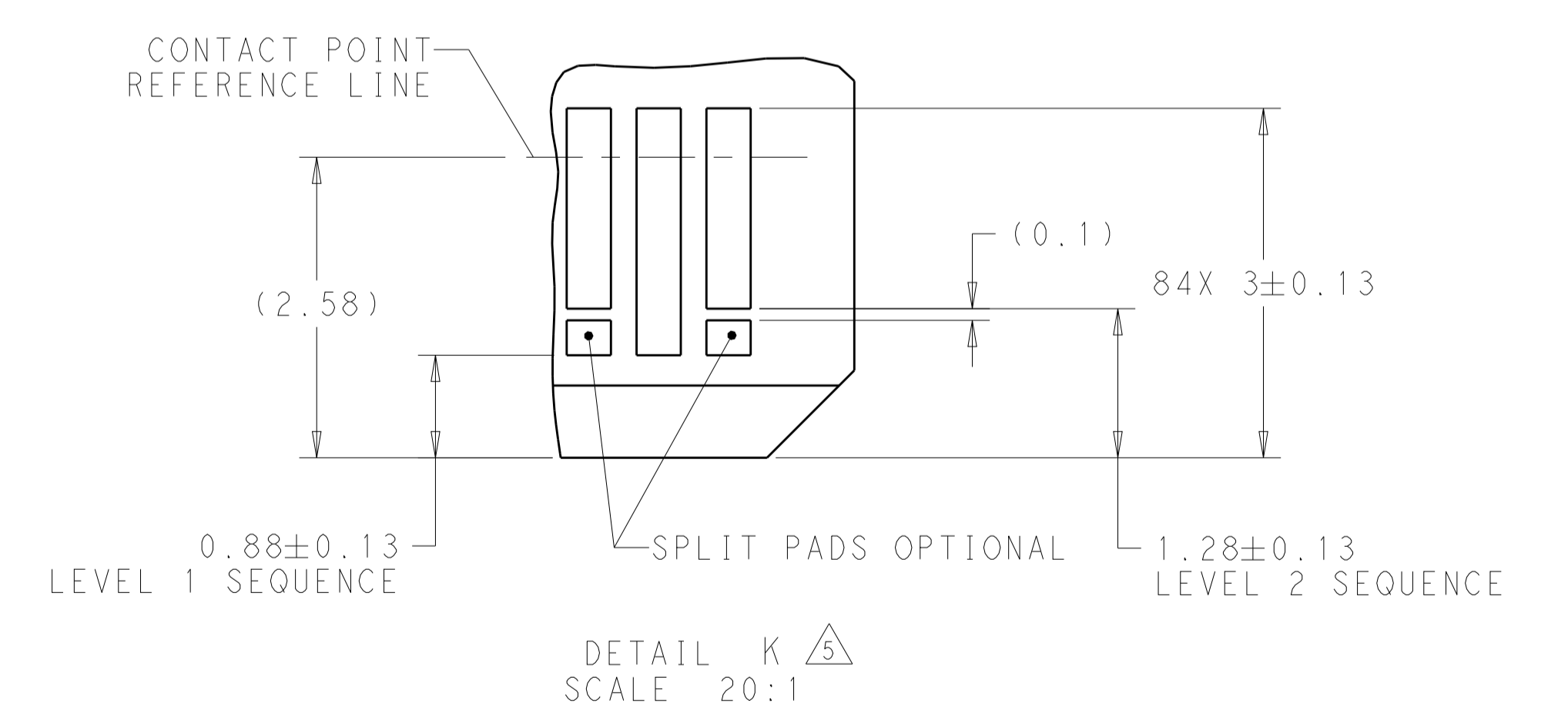
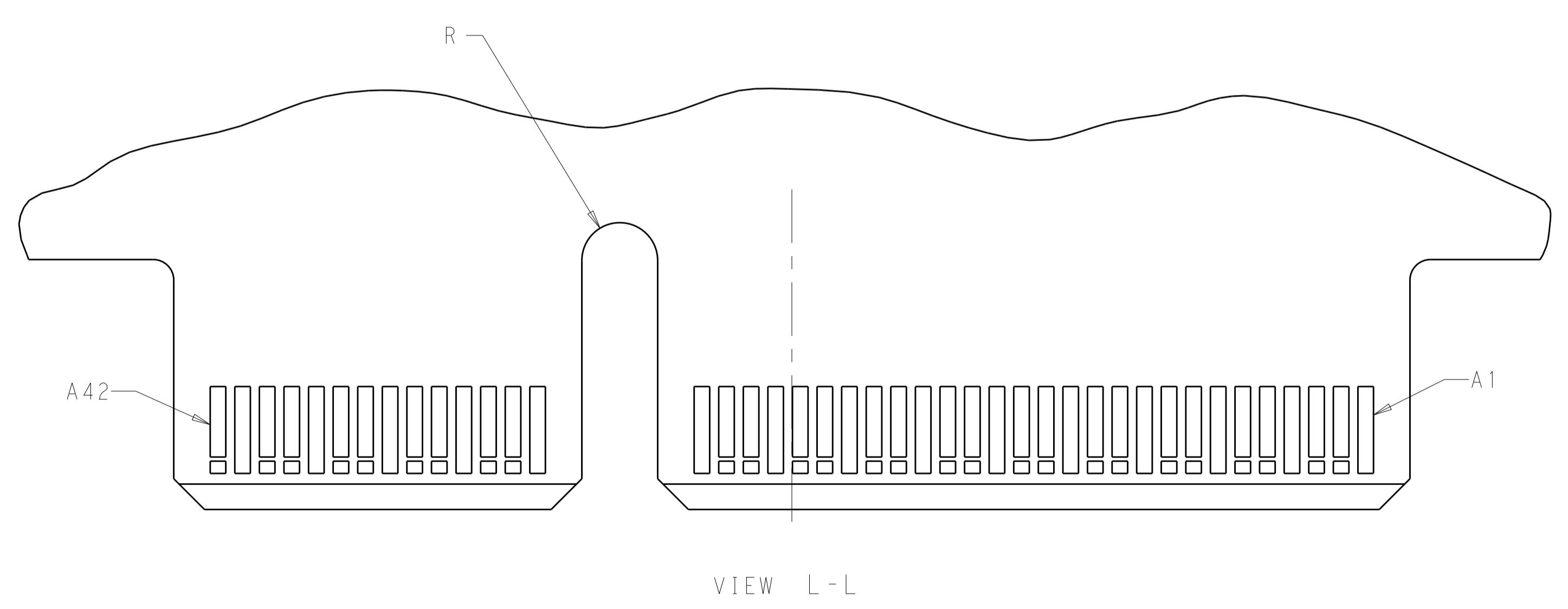
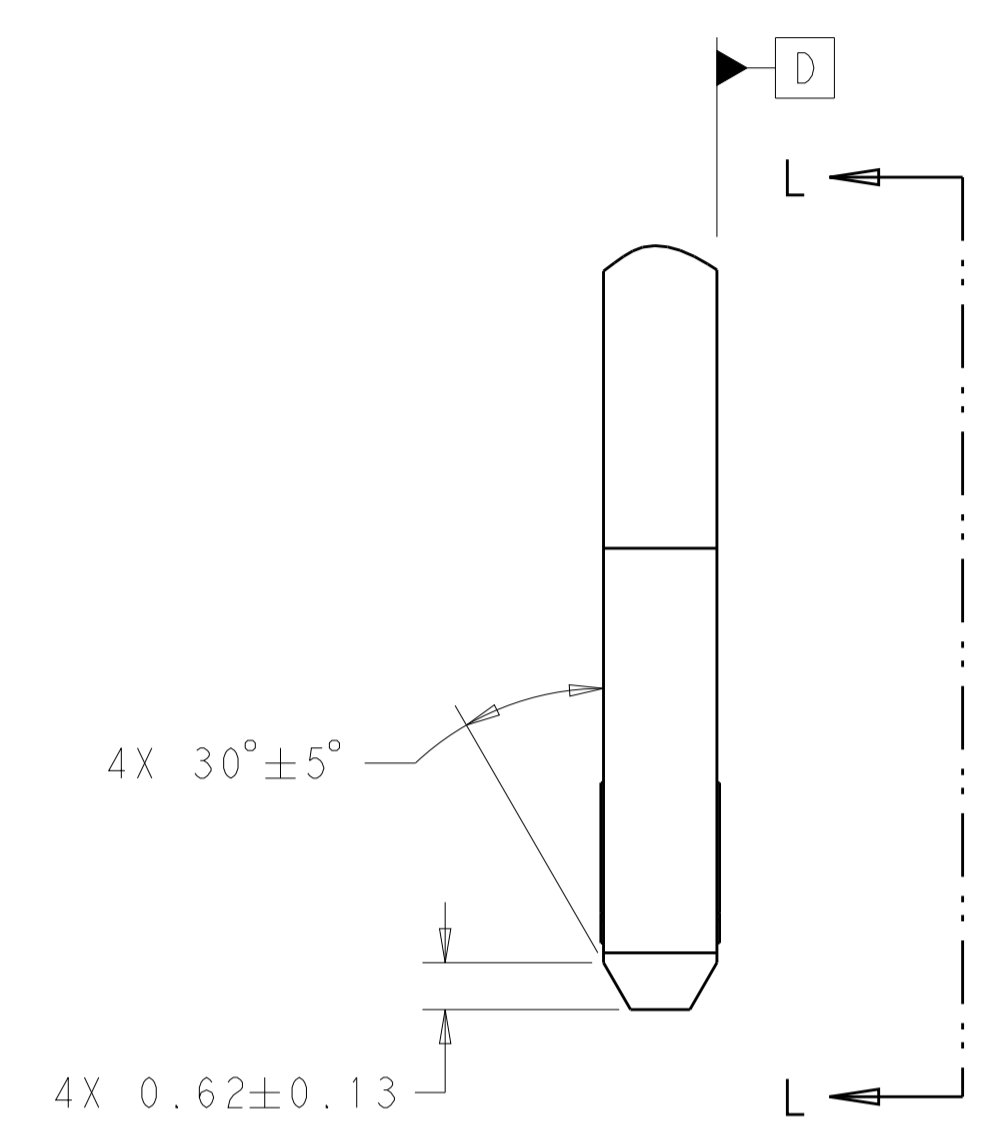
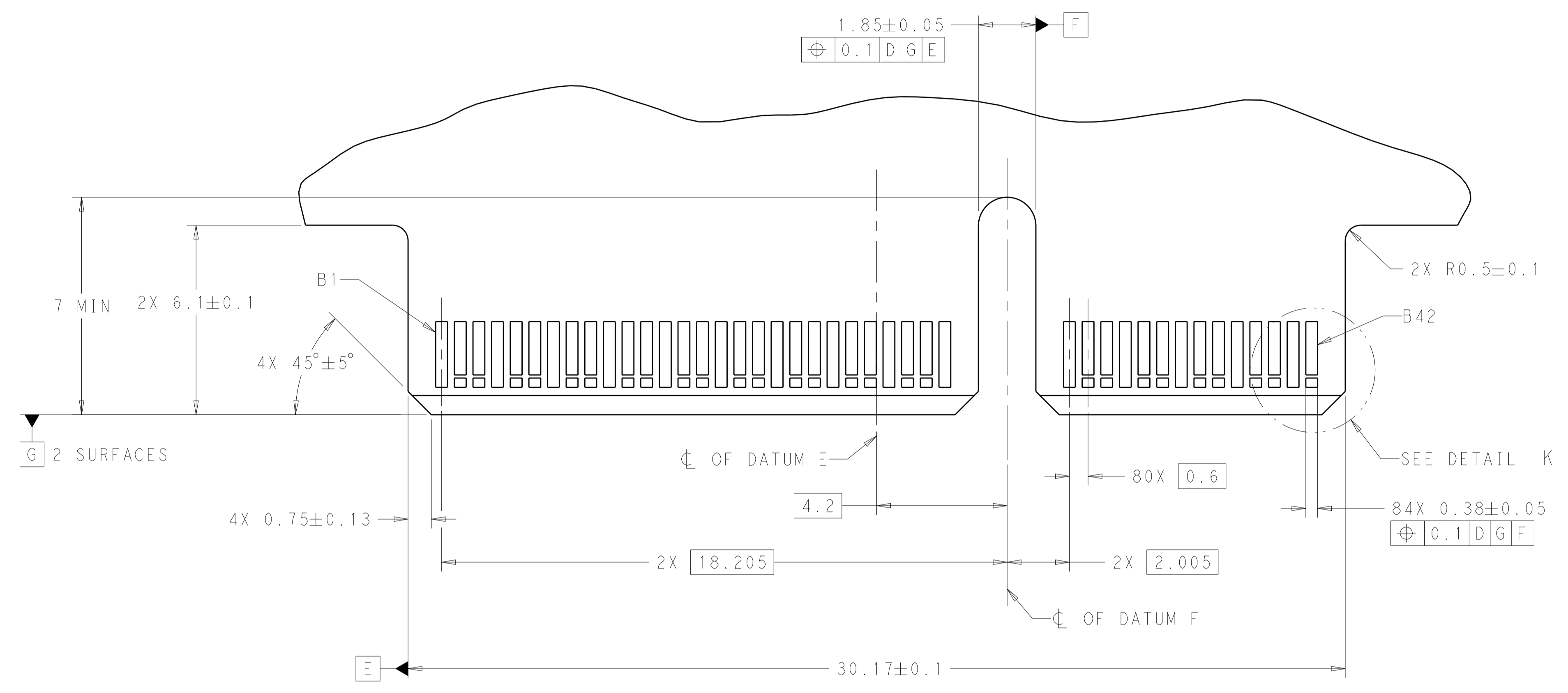
REVISIONS				
P.	LTN	DESCRIPTION	DATE	APVD
-	-	SEE SHEET 1	-	-



THIS DRAWING IS A CONTROLLED DOCUMENT.		DWN C. VALENTINE 16 JAN 2018	TE Connectivity	
DIMENSIONS:		CHK D. HARMON 16 JAN 2018	NAME RECEPTACLE ASSEMBLY, VERTICAL, 84 POSITION, SLIVER 2.0	
mm	TOLERANCES UNLESS OTHERWISE SPECIFIED:	APVD D. HARMON 16 JAN 2018	PRODUCT SPEC 108-130021	
∅	0 PLC ±	PRODUCT SPEC	APPLICATION SPEC	
	1 PLC ±	114-130008	SIZE CAGE CODE DRAWING NO	
	2 PLC ±	WEIGHT	RESTRICTED TO	
	3 PLC ±		A1 - C=2327678	
	4 PLC ±		SCALE 10:1 SHEET 2 OF 4 REV B	
	ANGLES ±			
MATERIAL	FINISH			
CUSTOMER DRAWING				

REVISIONS				
P.	LTN	DESCRIPTION	DATE	APVD
-	-	SEE SHEET 1	-	-

RECOMMENDED PCB OUTLINE DIMENSIONS.  
 TOLERANCE VALUES ARE CRITICAL. PLEASE BE SURE TO DESIGNATE  
 TOLERANCES TO PCB SUPPLIER TO ENSURE OPTIMIZED FUNCTIONALITY.

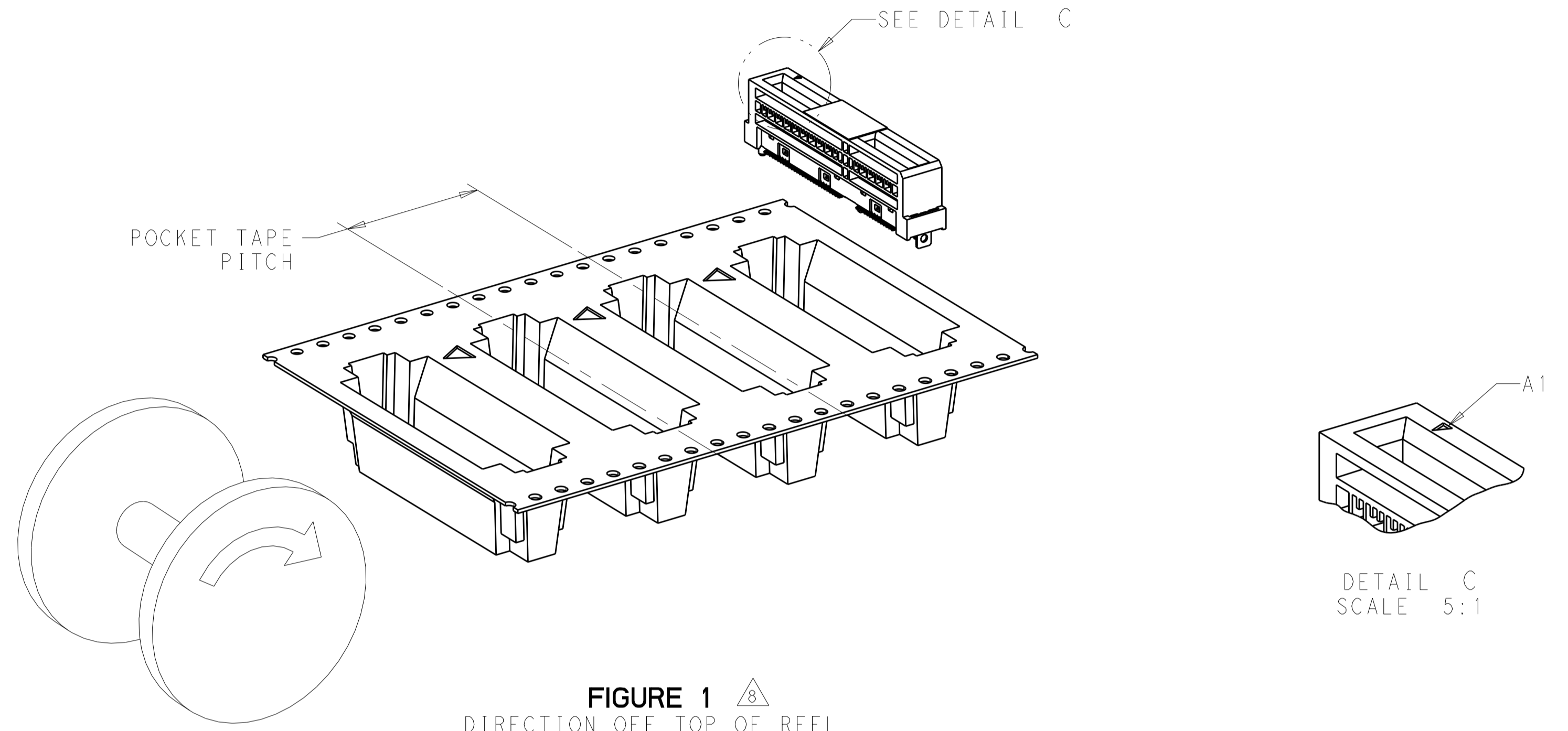



THIS DRAWING IS A CONTROLLED DOCUMENT.		OWN C. VALENTINE 16 JAN 2018	TE Connectivity
DIMENSIONS: mm		CHK D. HARMON 16 JAN 2018	
TOLERANCES UNLESS OTHERWISE SPECIFIED:		APVD D. HARMON 16 JAN 2018	NAME RECEPTACLE ASSEMBLY, VERTICAL, 84 POSITION, SLIVER 2.0
0 PLC ±	1 PLC ±	PRODUCT SPEC	SIZE A1
2 PLC ±	3 PLC ±	APPLICATION SPEC	CAGE CODE -
4 PLC ±	ANGLES ±	114-130008	DRAWING NO C=2327678
MATERIAL	FINISH	WEIGHT	RESTRICTED TO -
CUSTOMER DRAWING		SCALE 10:1	SHEET 3 OF 4
		REV B	

REVISIONS				
P.	LTN	DESCRIPTION	DATE	APVD
-	-	SEE SHEET 1	-	-

TABLE 1: CONNECTOR CONTACT IDENTIFICATION 

CONTACT NUMBER	SIDE A	SIDE B
1	GROUND	GROUND
2	SIGNAL	SIGNAL
3	SIGNAL	SIGNAL
4	GROUND	GROUND
5	SIGNAL	SIGNAL
6	SIGNAL	SIGNAL
7	GROUND	GROUND
8	SIGNAL	SIGNAL
9	SIGNAL	SIGNAL
10	GROUND	GROUND
11	SIGNAL	SIGNAL
12	SIGNAL	SIGNAL
13	GROUND	GROUND
14	SIGNAL	SIGNAL
15	SIGNAL	SIGNAL
16	GROUND	GROUND
17	SIGNAL	SIGNAL
18	SIGNAL	SIGNAL
19	GROUND	GROUND
20	SIGNAL	SIGNAL
21	SIGNAL	SIGNAL
22	GROUND	GROUND
23	SIGNAL	SIGNAL
24	SIGNAL	SIGNAL
25	GROUND	GROUND
26	SIGNAL	SIGNAL
27	SIGNAL	SIGNAL
28	GROUND	GROUND
29	GROUND	GROUND
30	SIGNAL	SIGNAL
31	SIGNAL	SIGNAL
32	GROUND	GROUND
33	SIGNAL	SIGNAL
34	SIGNAL	SIGNAL
35	GROUND	GROUND
36	SIGNAL	SIGNAL
37	SIGNAL	SIGNAL
38	GROUND	GROUND
39	SIGNAL	SIGNAL
40	SIGNAL	SIGNAL
41	GROUND	GROUND
42	GROUND	GROUND



**FIGURE 1**   
 DIRECTION OFF TOP OF REEL  
 FOR USER UNREELING  
 SHOWN AS 2327678-1 THRU 2327678-9  
 SCALE 2:1

1.2±0.1	ENDS	0.76µm Au 0.38µm Au FLASH Au/PdNi	24	250	NO	200 100 50	1-2327678-9 1-2327678-8 1-2327678-7
1.8±0.1	ENDS	0.76µm Au 0.38µm Au FLASH Au/PdNi	24	250	NO	200 100 50	1-2327678-6 1-2327678-5 1-2327678-4
1.8±0.1	ALL	0.76µm Au 0.38µm Au FLASH Au/PdNi	24	250	NO	200 100 50	1-2327678-3 1-2327678-2 1-2327678-1
1.2±0.1	ENDS	0.76µm Au 0.38µm Au FLASH Au/PdNi	20	350	YES	200 100 50	2327678-9 2327678-8 2327678-7
1.8±0.1	ENDS	0.76µm Au 0.38µm Au FLASH Au/PdNi	20	350	YES	200 100 50	2327678-6 2327678-5 2327678-4
1.8±0.1	ALL	0.76µm Au 0.38µm Au FLASH Au/PdNi	20	350	YES	200 100 50	2327678-3 2327678-2 2327678-1
A	HOLD DOWNS	PLATING	POCKET TAPE PITCH	REEL QUANTITY	PICK AND PLACE TAPE	MATING CYCLES	PART NUMBER

THIS DRAWING IS A CONTROLLED DOCUMENT.

DIMENSIONS: mm	TOLERANCES UNLESS OTHERWISE SPECIFIED:	0 PLC ±	1 PLC ±	2 PLC ±	3 PLC ±	4 PLC ±	ANGLES ±	FINISH
----------------	--	---------	---------	---------	---------	---------	----------	--------

MATERIAL:   
 FINISH:   
 WEIGHT:   
 CUSTOMER DRAWING

APVD: C. VALENTINE 16 JAN 2018  
 CHK: D. HARMON 16 JAN 2018  
 APVD: D. HARMON 16 JAN 2018

NAME: RECEPTACLE ASSEMBLY, VERTICAL, 84 POSITION, SLIVER 2.0  
 PRODUCT SPEC: 108-130021  
 APPLICATION SPEC: 114-130008

SIZE: A1  
 CAGE CODE: -  
 DRAWING NO: 2327678  
 SCALE: 10:1  
 SHEET: 4 OF 4  
 REV: B

TE Connectivity