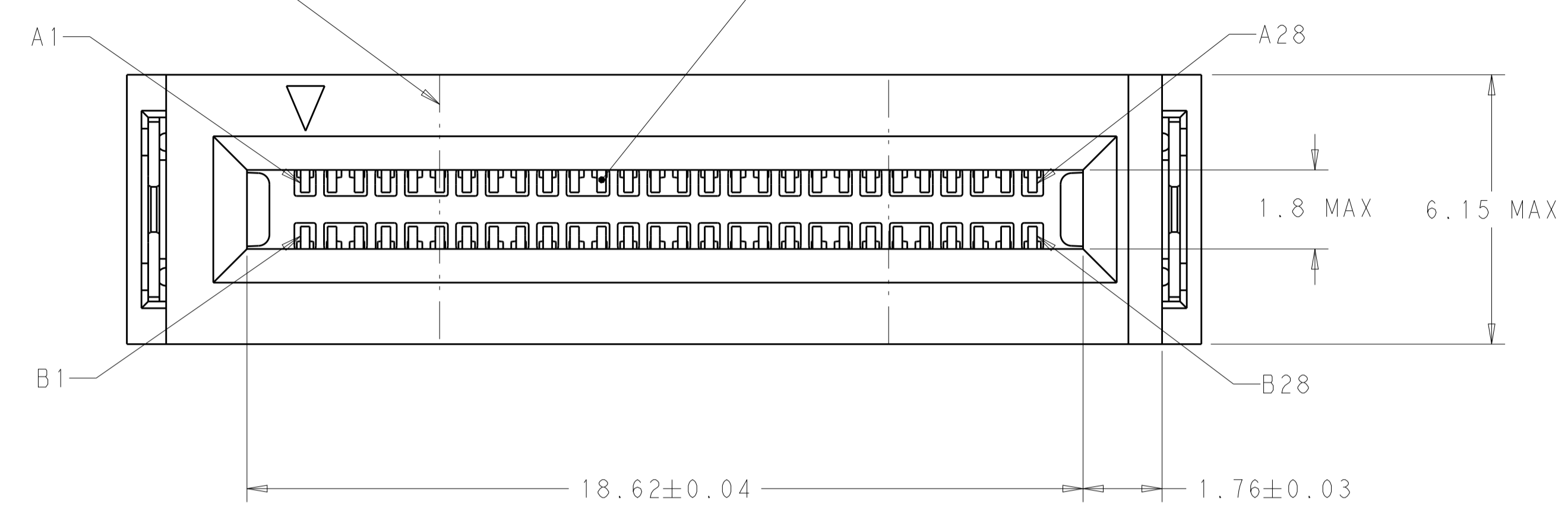


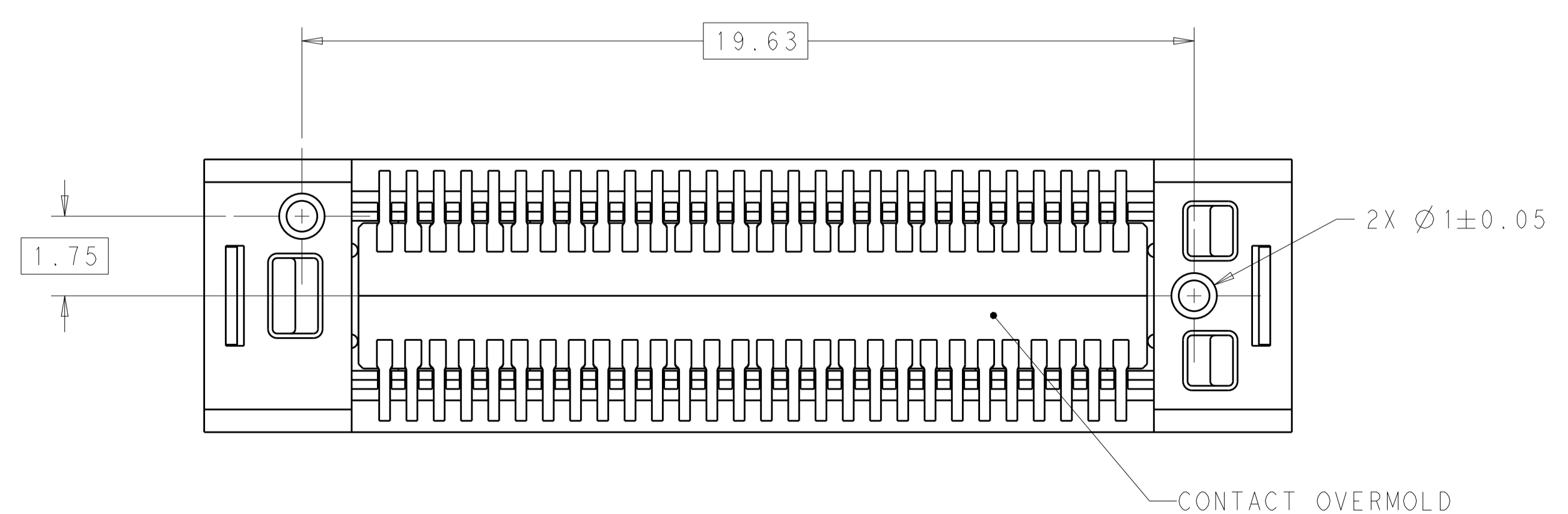
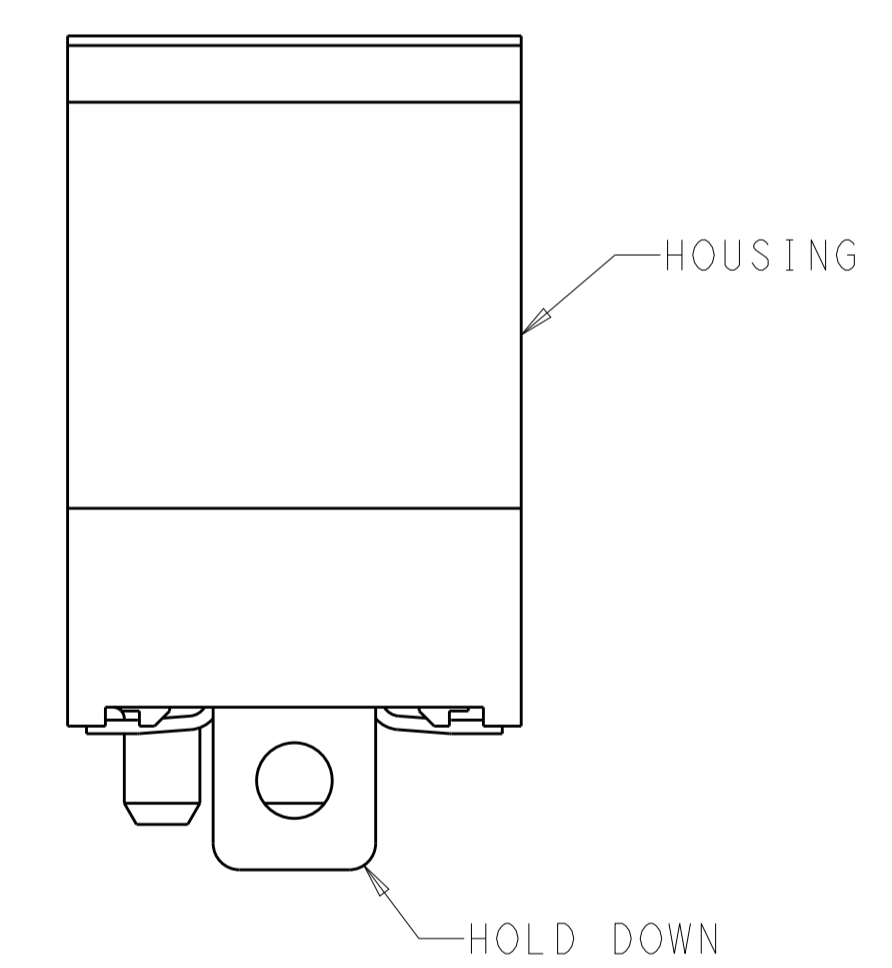
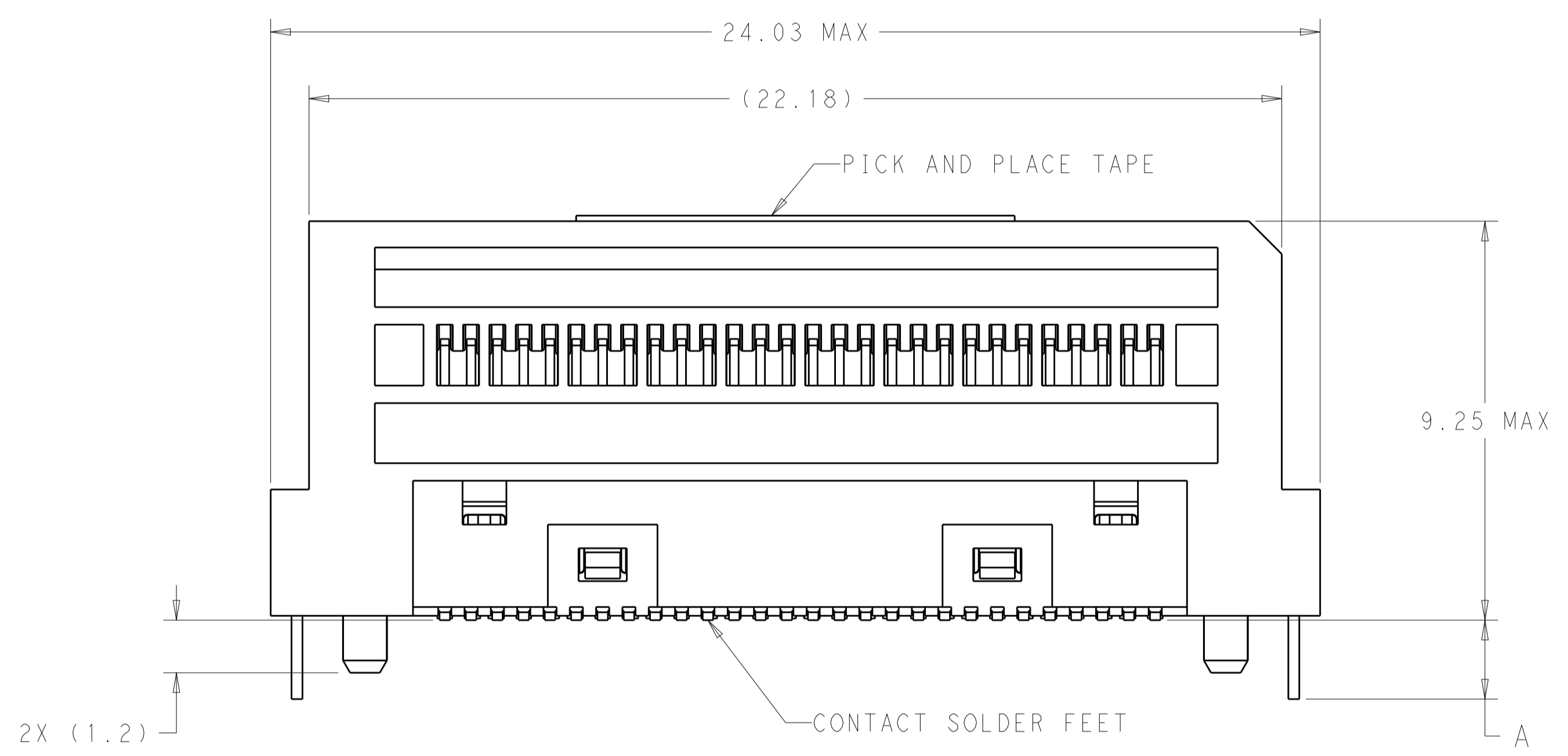
| REVISIONS | | | | |
|-----------|------|---------------------------|-----------|--------|
| P. | LTN. | DESCRIPTION | DATE | APVD. |
| A | | RELEASED | 17MAY2019 | CJV JW |
| B | | REVISED PER ECO-19-011736 | 07AUG2019 | AP JW |

PICK AND PLACE TAPE SHOWN AS TRANSPARENT FOR CLARITY

CONTACT MATING SURFACES

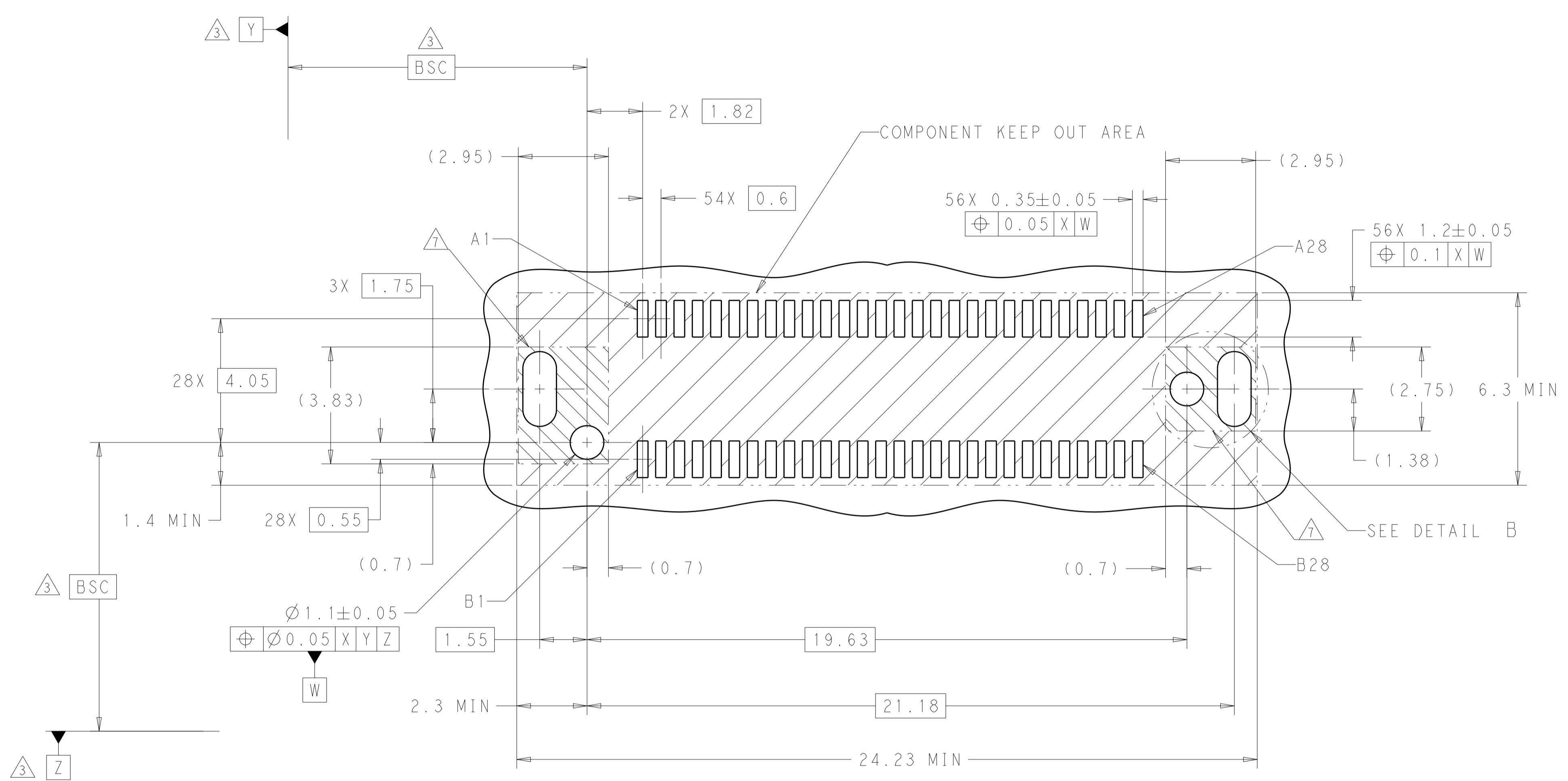


- 1 HOUSING AND CONTACT OVERMOLDS - LCP, UL94-V0, BLACK. CONTACTS AND HOLD DOWNS - COPPER ALLOY. PICK AND PLACE TAPE - POLYIMIDE FILM.
- 2 CONTACTS - GOLD PLATE ON MATING SURFACES, TIN PLATE ON SOLDER FEET. HOLD DOWNS - TIN PLATE.
- 3 DATUMS AND BASIC DIMENSIONS ESTABLISHED BY CUSTOMER.
- 4. MINIMUM HOST PCB THICKNESS: 1.5.
- 5 SEE MSA SPECIFICATION FOR ADDITIONAL PADDLE CARD LAYOUTS COMPATIBLE WITH THIS RECEPTACLE AND FOR OPTIONAL SPLIT CONTACT PAD LAYOUTS FOR THE PADDLE CARD. SPECIFICATION PINOUT MAY ALSO DESIGNATE PAD SEQUENCE DIFFERENT FROM ILLUSTRATION.
- 6 POSITIONS DESIGNATED AS "SIGNAL" ARE REQUIRED LOCATIONS FOR HIGH SPEED DIFFERENTIAL PAIR SIGNALING. THESE LOCATIONS MAY ALSO BE USED FOR SUPPORTING SIDEBAND SIGNALS OR OTHER UTILITY PURPOSES. POSITIONS DESIGNATED AS "GROUND" ARE REQUIRED WHEN SUPPORTING HIGH SPEED DIFFERENTIAL SIGNALS. THESE LOCATIONS MAY ALSO BE USED FOR SIDEBAND SIGNALS OR OTHER UTILITY PURPOSES.
- 7 COMPONENT AND TRACE KEEP OUT AREA. EACH EDGE 0.15 MIN FROM EDGE OF HOLE.
- 8 TAPE AND REEL PACKAGED FOR PICK AND PLACE SMT PROCESSING, SEE FIGURE 1. POCKET TAPE WIDTH = 44.

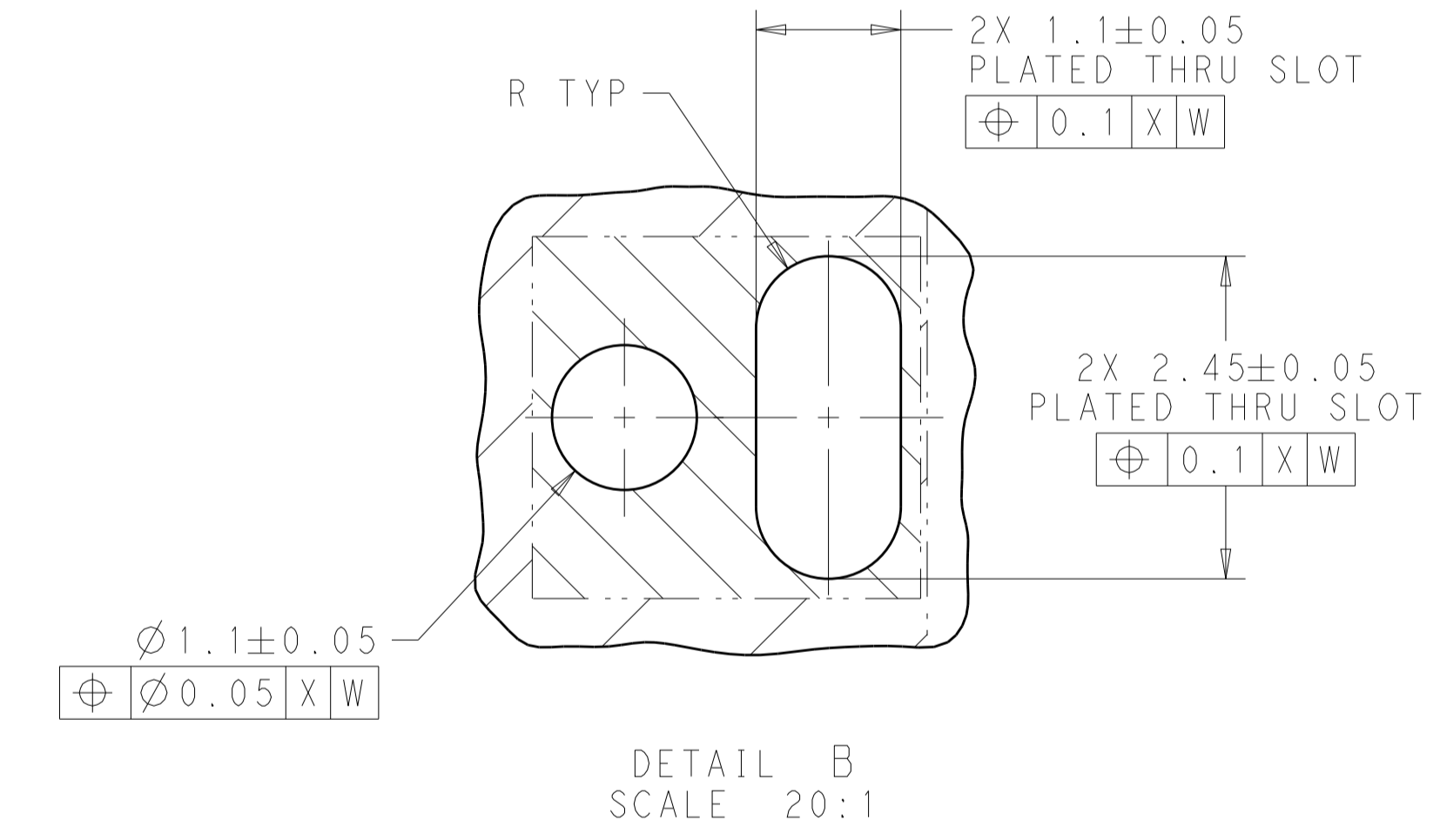


| | | | |
|---|--|---|--|
| THIS DRAWING IS A CONTROLLED DOCUMENT. | | OWN: C. VALENTINE 16JAN2018 | TE Connectivity |
| | | CHK: D. HARMON 16JAN2018 | |
| DIMENSIONS: | | APVD: D. HARMON 16JAN2018 | NAME: RECEPTACLE ASSEMBLY, VERTICAL, 56 POSITION, SLIVER 2.0 PRODUCT SPEC: 108-130021 APPLICATION SPEC: 114-130008 |
| mm 0 PLC ± 1 PLC ± 2 PLC ± 3 PLC ± 4 PLC ± ANGLES ± | | TOLERANCES UNLESS OTHERWISE SPECIFIED: 0 PLC ± 1 PLC ± 2 PLC ± 3 PLC ± 4 PLC ± ANGLES ± | |
| MATERIAL | | FINISH | SIZE: A1 CAGE CODE: 00779 DRAWING NO: C=2327679 WEIGHT: - CUSTOMER DRAWING |
| | | SCALE: 10:1 | SHEET 1 OF 4 REV B |

| REVISIONS | | | | |
|-----------|-----|-------------|------|------|
| P. | LTN | DESCRIPTION | DATE | APVD |
| - | - | SEE SHEET 1 | - | - |
| | | | | |
| | | | | |

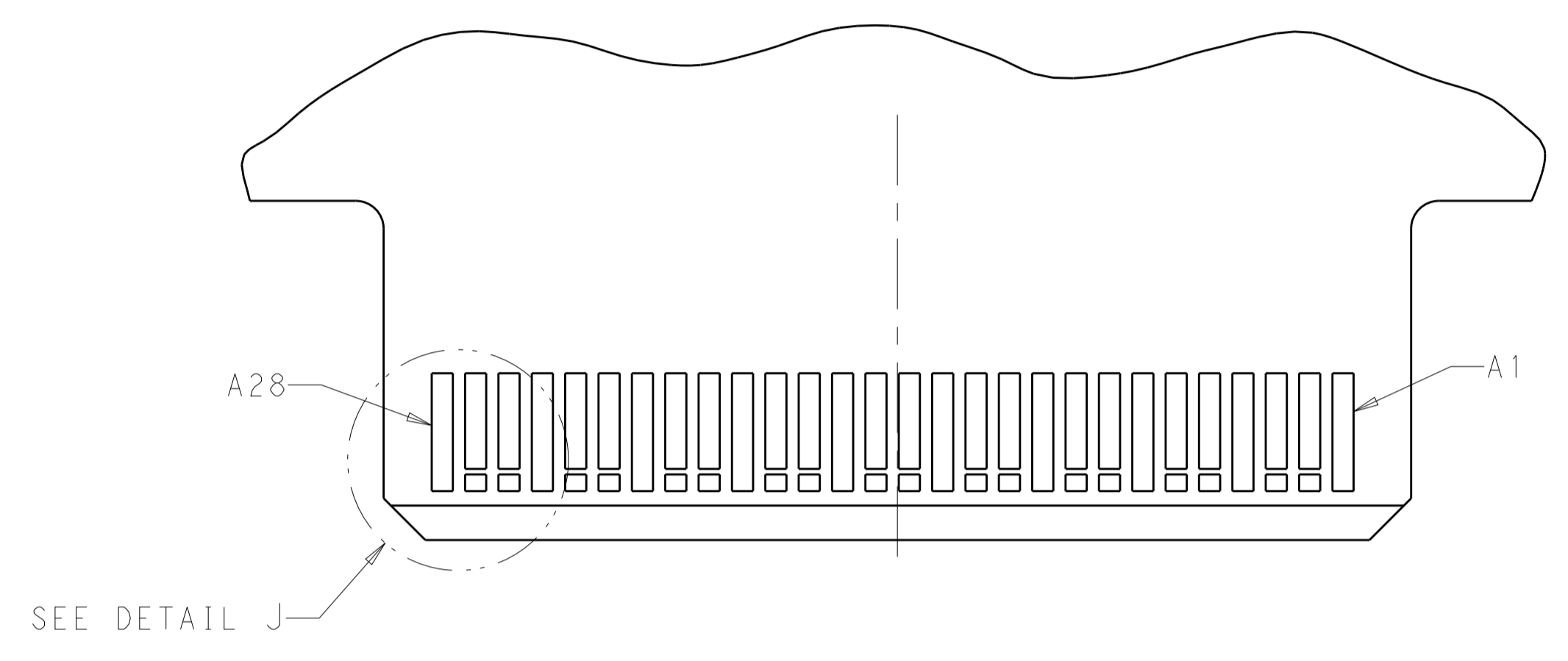
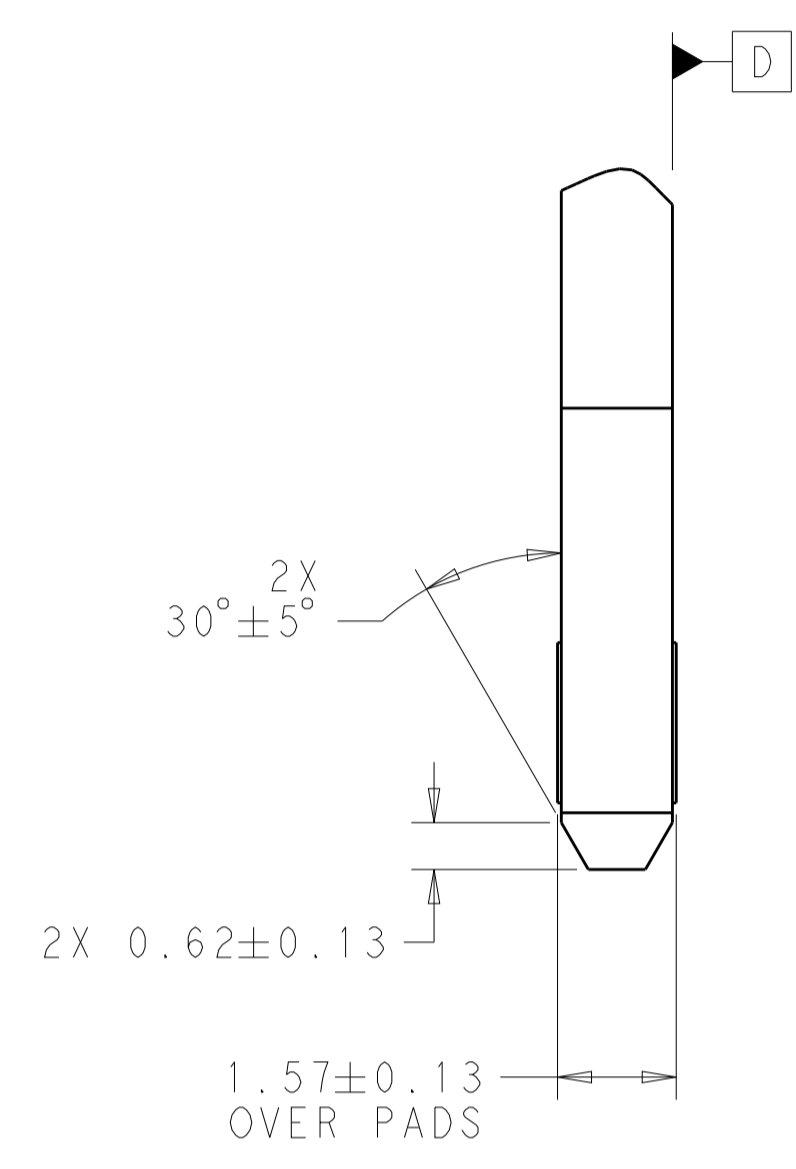
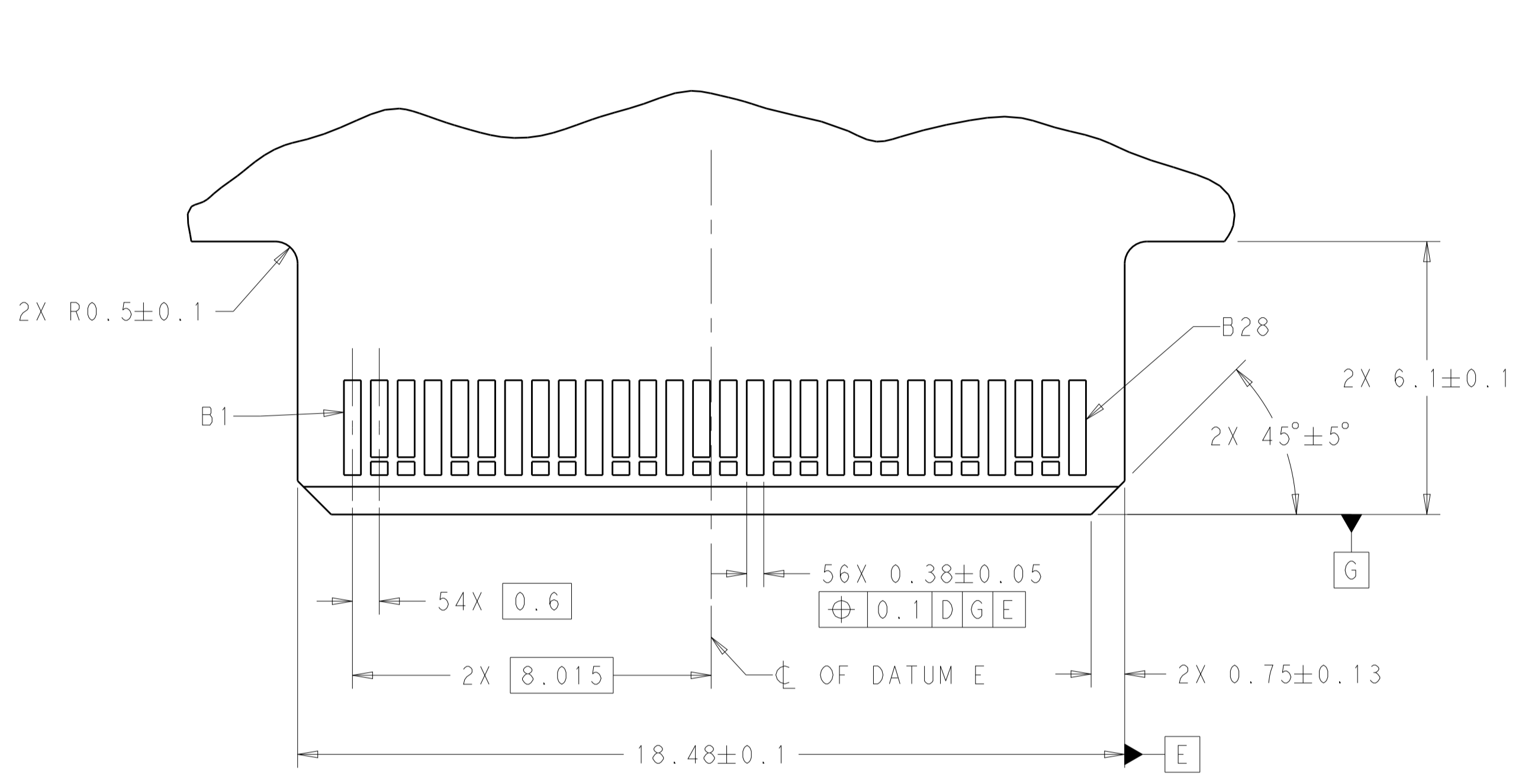


RECOMMENDED PCB LAYOUT
AND KEEP OUT AREA

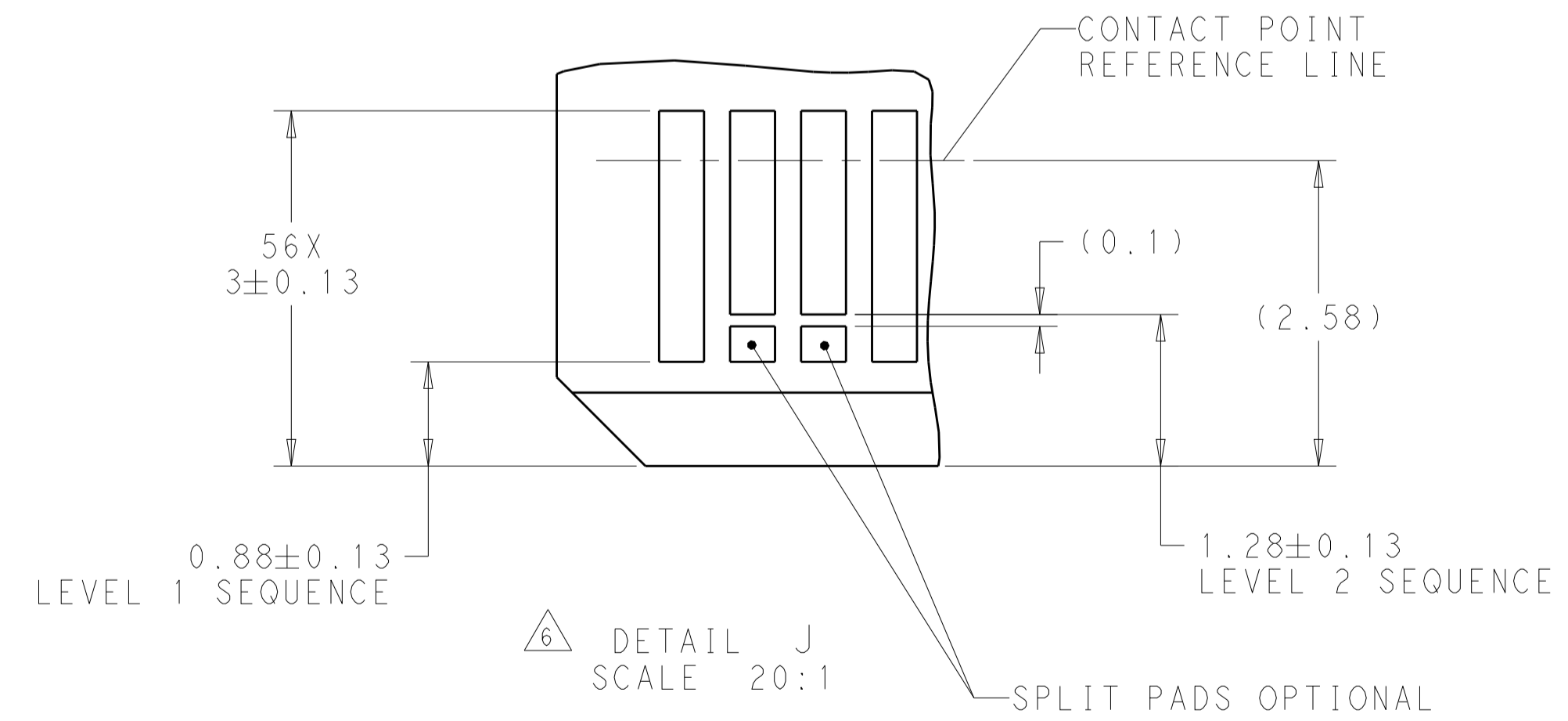


| | | | |
|--|----------|-------------------------------|--|
| THIS DRAWING IS A CONTROLLED DOCUMENT. | | DWN: C. VALENTINE 16 JAN 2018 | TE Connectivity |
| DIMENSIONS: mm | | CHK: D. HARMON 16 JAN 2018 | |
| TOLERANCES UNLESS OTHERWISE SPECIFIED: | | APVD: D. HARMON 16 JAN 2018 | NAME: RECEPTACLE ASSEMBLY, VERTICAL, 56 POSITION, SLIVER 2.0 |
| 0 PLC ± | 1 PLC ± | PRODUCT SPEC: 108-130021 | SIZE: A1 |
| 2 PLC ± | 3 PLC ± | APPLICATION SPEC: 114-130008 | CAGE CODE: 2327679 |
| 4 PLC ± | ANGLES ± | WEIGHT: - | RESTRICTED TO: - |
| MATERIAL: | FINISH: | CUSTOMER DRAWING | SCALE: 10:1 SHEET 2 OF 4 REV B |

| REVISIONS | | | | |
|-----------|-----|-------------|------|------|
| P. | LTN | DESCRIPTION | DATE | APVD |
| - | - | SEE SHEET 1 | - | - |
| | | | | |
| | | | | |



RECOMMENDED PCB OUTLINE DIMENSIONS.
 TOLERANCE VALUES ARE CRITICAL. PLEASE BE SURE TO DESIGNATE
 TOLERANCES TO PCB SUPPLIER TO ENSURE OPTIMIZED FUNCTIONALITY.



| | | | |
|--|---|------------------------------------|---|
| THIS DRAWING IS A CONTROLLED DOCUMENT. | | DWN C. VALENTINE 16 JAN 2018 | TE Connectivity |
| DIMENSIONS: | | CHK D. HARMON 16 JAN 2018 | |
| mm | TOLERANCES UNLESS OTHERWISE SPECIFIED: | APVD D. HARMON 16 JAN 2018 | NAME RECEPTACLE ASSEMBLY, VERTICAL, 56 POSITION, SLIVER 2.0 |
| | 0 PLC ± 1 PLC ± 2 PLC ± 3 PLC ± 4 PLC ± ANGLES ± FINISH ± | PRODUCT SPEC 108-130021 | SIZE A1 |
| MATERIAL | | APPLICATION SPEC 114-130008 | CAGE CODE 2327679 |
| | | WEIGHT | RESTRICTED TO |
| | | CUSTOMER DRAWING | SCALE 10:1 SHEET 3 OF 4 REV B |

| REVISIONS | | | | | |
|-----------|-----|-------------|------|-----|------|
| P. | LTN | DESCRIPTION | DATE | OWN | APVD |
| - | - | SEE SHEET 1 | - | - | - |
| | | | | | |
| | | | | | |

TABLE 1: CONNECTOR CONTACT IDENTIFICATION \triangle

| CONTACT NUMBER | SIDE A | SIDE B |
|----------------|--------|--------|
| 1 | GROUND | GROUND |
| 2 | SIGNAL | SIGNAL |
| 3 | SIGNAL | SIGNAL |
| 4 | GROUND | GROUND |
| 5 | SIGNAL | SIGNAL |
| 6 | SIGNAL | SIGNAL |
| 7 | GROUND | GROUND |
| 8 | SIGNAL | SIGNAL |
| 9 | SIGNAL | SIGNAL |
| 10 | GROUND | GROUND |
| 11 | SIGNAL | SIGNAL |
| 12 | SIGNAL | SIGNAL |
| 13 | GROUND | GROUND |
| 14 | SIGNAL | SIGNAL |
| 15 | SIGNAL | SIGNAL |
| 16 | GROUND | GROUND |
| 17 | SIGNAL | SIGNAL |
| 18 | SIGNAL | SIGNAL |
| 19 | GROUND | GROUND |
| 20 | SIGNAL | SIGNAL |
| 21 | SIGNAL | SIGNAL |
| 22 | GROUND | GROUND |
| 23 | SIGNAL | SIGNAL |
| 24 | SIGNAL | SIGNAL |
| 25 | GROUND | GROUND |
| 26 | SIGNAL | SIGNAL |
| 27 | SIGNAL | SIGNAL |
| 28 | GROUND | GROUND |

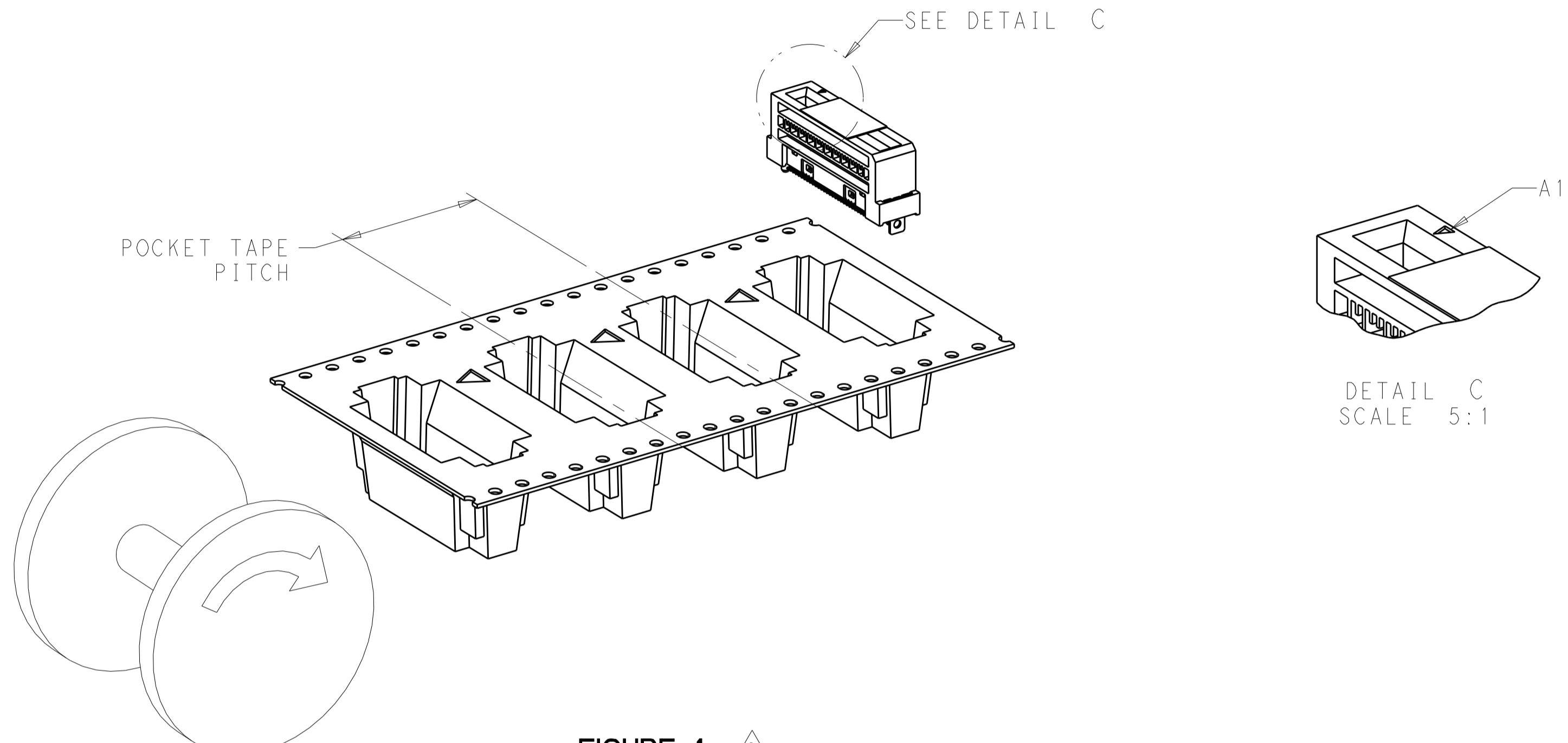


FIGURE 1 \triangle
 DIRECTION OFF TOP OF REEL
 FOR USER UNREELING
 SHOWN AS 2327679-1 THRU 2327679-9
 AND 2-2327679-0
 SCALE 2:1

| | | | | | | |
|---------|---------------|-------------------|---------------|---------------------|---------------|-------------|
| 3.7±0.1 | 0.76µm Au | 20 | 250 | YES | 200 | 2-2327679-0 |
| 3±0.1 | 0.76µm Au | 24 | TBD | NO | 200 | 1-2327679-9 |
| | 0.38µm Au | | | | 100 | 1-2327679-8 |
| | FLASH Au/PdNi | | | | 50 | 1-2327679-7 |
| 1.2±0.1 | 0.76µm Au | 24 | 250 | NO | 200 | 1-2327679-6 |
| | 0.38µm Au | | | | 100 | 1-2327679-5 |
| | FLASH Au/PdNi | | | | 50 | 1-2327679-4 |
| 1.8±0.1 | 0.76µm Au | 24 | 250 | NO | 200 | 1-2327679-3 |
| | 0.38µm Au | | | | 100 | 1-2327679-2 |
| | FLASH Au/PdNi | | | | 50 | 1-2327679-1 |
| 3±0.1 | 0.76µm Au | 20 | 250 | YES | 200 | 2327679-9 |
| | 0.38µm Au | | | | 100 | 2327679-8 |
| | FLASH Au/PdNi | | | | 50 | 2327679-7 |
| 1.2±0.1 | 0.76µm Au | 20 | 350 | YES | 200 | 2327679-6 |
| | 0.38µm Au | | | | 100 | 2327679-5 |
| | FLASH Au/PdNi | | | | 50 | 2327679-4 |
| 1.8±0.1 | 0.76µm Au | 20 | 350 | YES | 200 | 2327679-3 |
| | 0.38µm Au | | | | 100 | 2327679-2 |
| | FLASH Au/PdNi | | | | 50 | 2327679-1 |
| A | PLATING | POCKET TAPE PITCH | REEL QUANTITY | PICK AND PLACE TAPE | MATING CYCLES | PART NUMBER |

THIS DRAWING IS A CONTROLLED DOCUMENT.

OWN: C. VALENTINE 16 JAN 2018
 CHK: D. HARMON 16 JAN 2018
 APVD: D. HARMON 16 JAN 2018

STE TE Connectivity

NAME: RECEPTACLE ASSEMBLY, VERTICAL, 56 POSITION, SLIVER 2.0

PRODUCT SPEC: 108-130021
 APPLICATION SPEC: 114-130008

SIZE: A1 CAGE CODE: 00779 DRAWING NO: 2327679

RESTRICTED TO: -

CUSTOMER DRAWING SCALE: 10:1 SHEET: 4 OF 4 REV: B