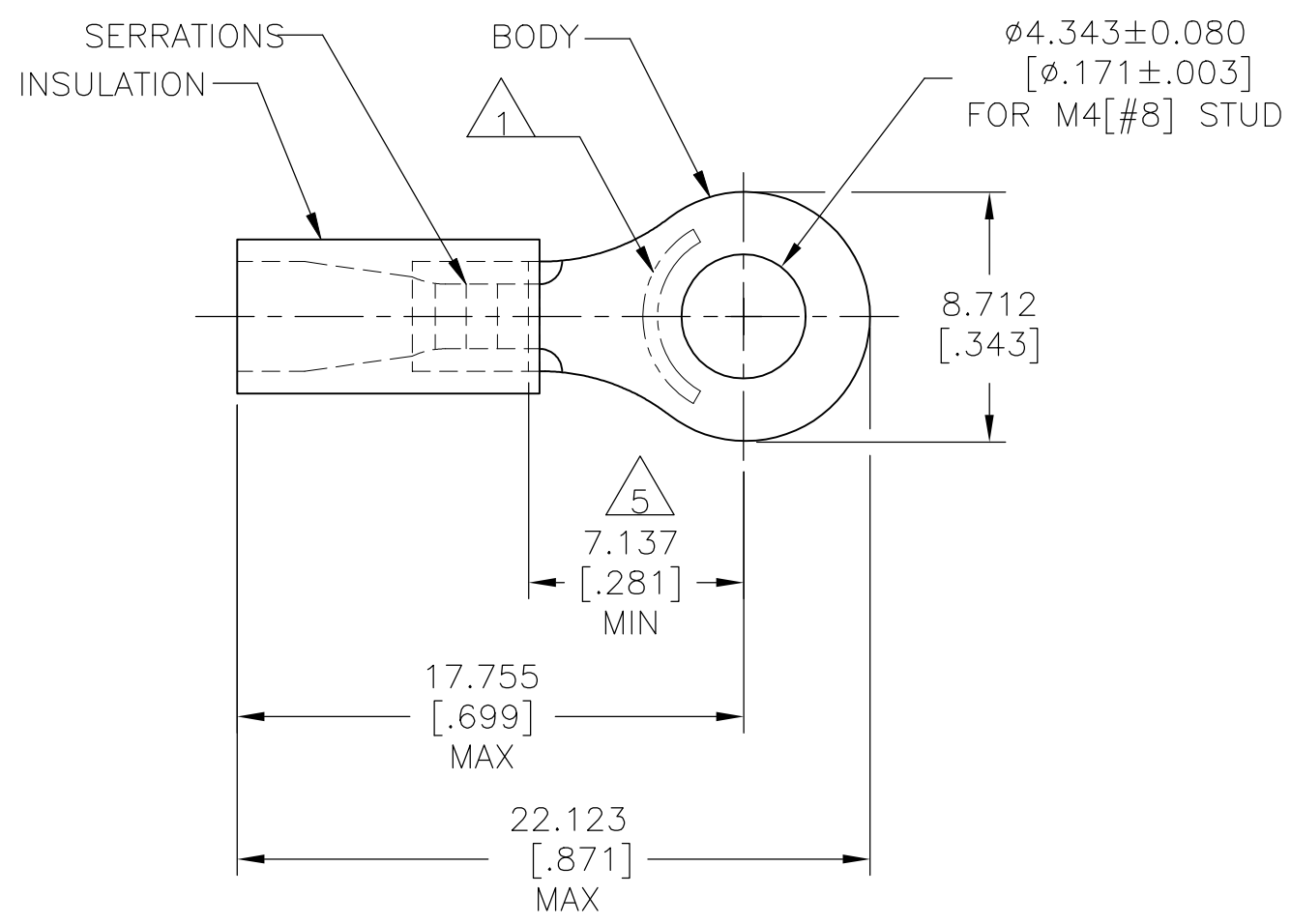


THIS DRAWING IS UNPUBLISHED. RELEASED FOR PUBLICATION
 © COPYRIGHT - TE Connectivity Ltd. ALL RIGHTS RESERVED.

REVISIONS				
P	LTR	DESCRIPTION	DATE	APVD
G		REV PER 0G3A-0652-04	18AUG04	JR TM
G1		REVISED PER ECO-17-014338	30MAR2018	RS DR

AMP WIRE RANGE	 Listed FILE E13288	 LR7189 Certified
16-14 AWG SOLID OR STRANDED	16-14 AWG SOLID OR STRANDED	16-14 AWG SOLID OR STRANDED



- △ 1 STAMP AMP 16-14* APPROX AS SHOWN
- 2 WIRE INSULATION: Ø2.667-3.683[.105-.145]
- 3 BODY MATERIAL THK: 0.787±0.051[.031±.002]
- △ 4 MATERIAL: BODY - CU PER ASTM B152
INSULATION - PVC
- △ 5 APPLIES FROM CENTER OF STUD HOLE TO
EDGE OF METAL WIRE BARREL

5000	ON TAPE, REEL	2-32959-1
1000	LOOSE PIECE	32959
QTY	PACKAGE TYPE	PART NO.

**AMP INCORPORATED
CUSTOMER SERVICE SYSTEMS**

FOR ADDITIONAL PRODUCT INFORMATION OR COPIES OF DRAWINGS AND TECHNICAL DOCUMENTS
 PRODUCT INFORMATION CENTER
 1-800-522-6752

FOR APPLICATION TOOLING INFORMATION
 TOOLING ASSISTANCE CENTER
 1-800-722-1111

FOR ORDER ENTRY
 1-800-526-5142

MAX RECOMMENDED OPERATING TEMPERATURE:
 105°C [221°F]

VOLTAGE RATING:
 600V MAX
 [1000V SIGNS OR FIXTURES]

CIRCULAR MIL AREA:
 1.04-2.62mm² [2,050-5,180]
 SOLID OR STRANDED

THIS DRAWING IS A CONTROLLED DOCUMENT.

DIMENSIONS: mm [INCHES]

TOLERANCES UNLESS OTHERWISE SPECIFIED:

0 PLC	± -
1 PLC	± -
2 PLC	± -
3 PLC	± 0.127[.005]
4 PLC	± -
ANGLES	± -

MATERIAL △ 4
 BODY: TIN PER ASTM B545
 INSULATION: COLOR-BLUE

DWN DK SCHRUM 09/29/92
 CHK RE HERSEY 11/10/92
 APVD M BARNABA 11/10/92

PRODUCT SPEC
 UL 486 A-B

APPLICATION SPEC
 114-2161

WEIGHT
 CUSTOMER DRAWING

TE TE Connectivity Ltd.

NAME
 TERMINAL, RING TONGUE, PLASTI-GRIP
 WIRE SIZE: 16-14 AWG

SIZE	CAGE CODE	DRAWING NO	RESTRICTED TO
A3	00779	C-32959	-

SCALE 4:1 SHEET 1 OF 1 REV G1