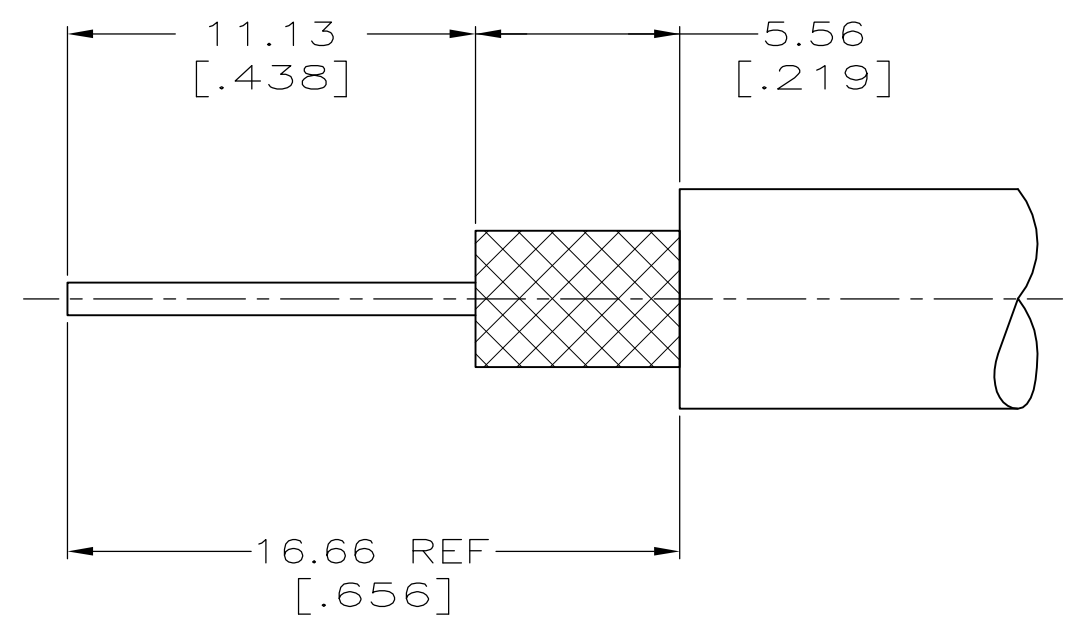
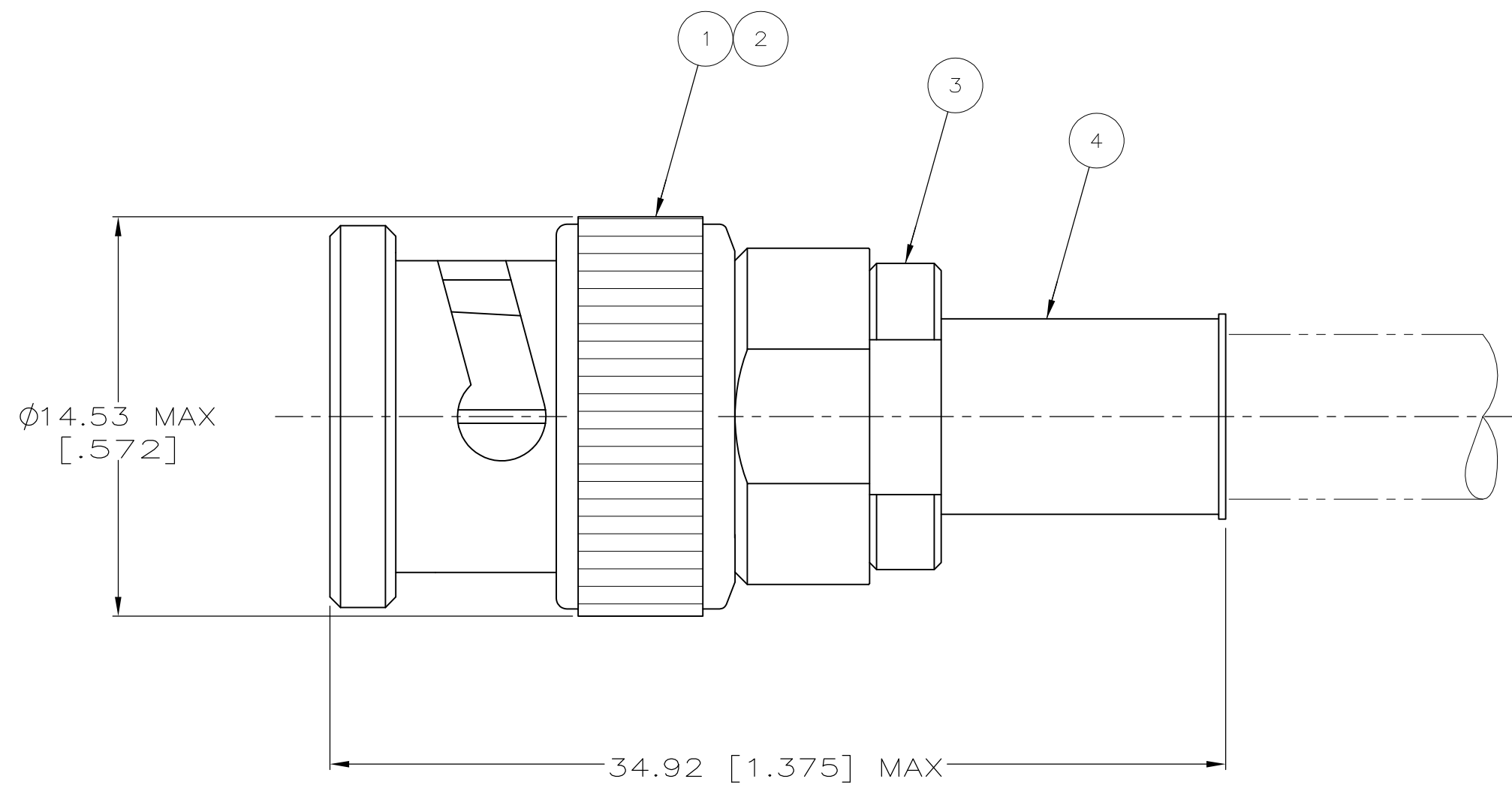


LOC	DIST	P	F	ZONE	LTR	REVISIONS	DATE	APPD
AJ	16				H1	REVISED PER ECR-16-009453	30JUN2016	BW

1. USE INSTRUCTION SHEET 1799-1



RECOMMENDED STRIP LENGTH
NO SCALE

OBSOLETE	-	-	-	-	-	-	7-330358-1
	RG-142/U, 142A/U, 142B/U	693331-1	9-329099-2	9-50780-3	2-329106-1	9-329804-0	2-330358-2
SUPSD BY 225395-5	RG-141/U, 141A/U	693331	330478	1-50780-3	2-329106-1	329804	2-330358-1
OBSOLETE	-	-	-	-	-	-	330358
	CABLE	CRIMP TOOL	④ FERRULE QTY=1	③ CRIMP END ASSEMBLY QTY=1	② GASKET QTY=1	① PLUG ASSEMBLY QTY=1	PART NUMBER

DO NOT SCALE PRINT. UNLESS SPECIFIED		AMP	
DIMENSIONS IN mm [INCHES]		AMP Incorporated	
TOLERANCES ON :		Harrisburg, PA 17105-3608	
2 PLC DEC ± 0.41 [.016]	DR 14FEB96 MICHAEL E. COWHER	NAME	
3 PLC DEC ± -	CHK 15FEB96 FRANK P. MORANA		
ANGLES ± -	APPD 15FEB96 FRANK P. MORANA	PLUG, BNC	
MATERIAL	APPD 15FEB96 MICHAEL E. COWHER		
-	PRODUCT SPEC	SIZE	CAGE CODE
FINISH	APPLICATION SPEC	③	00779
-	-	SCALE	DRAWING NO
WEIGHT 0	-	5:1	330358
			SHEET 10F 1