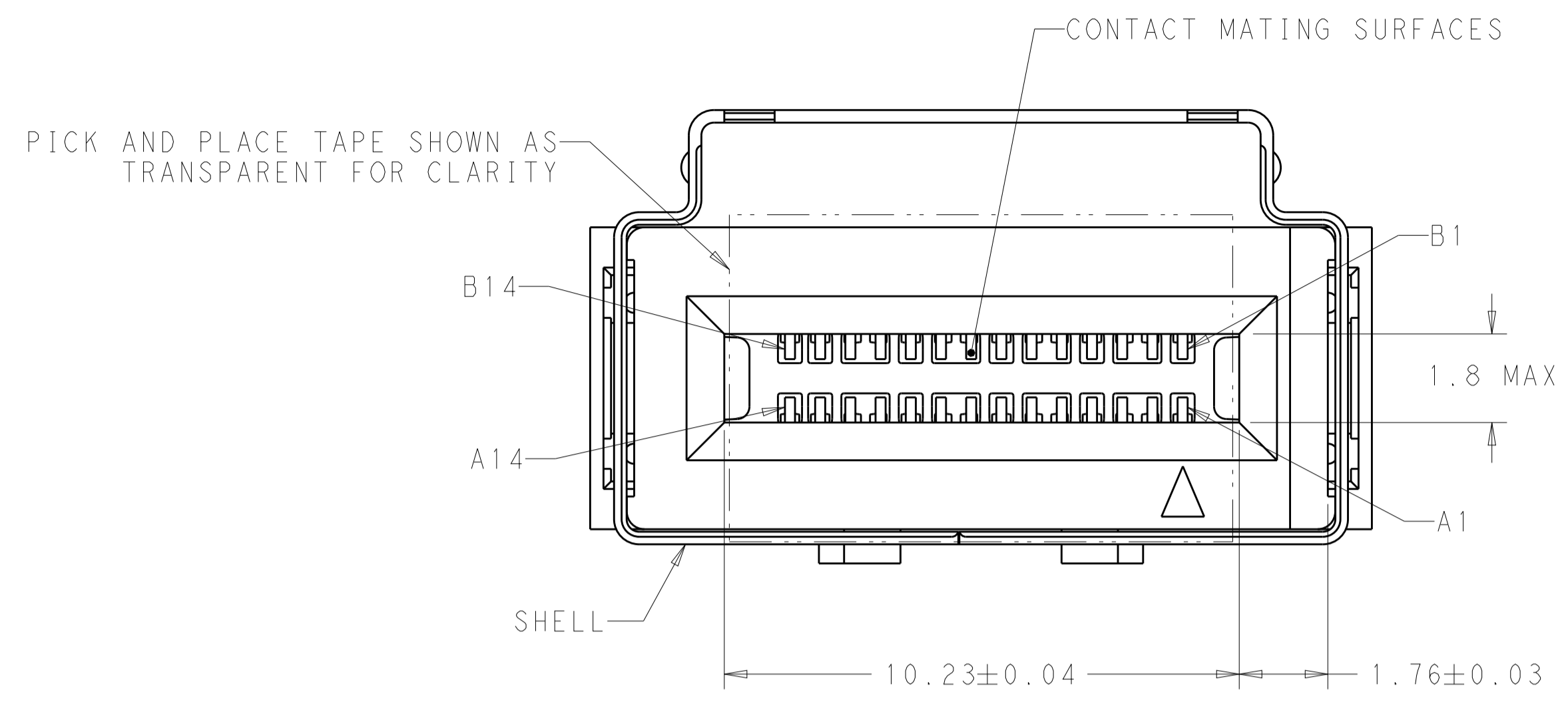
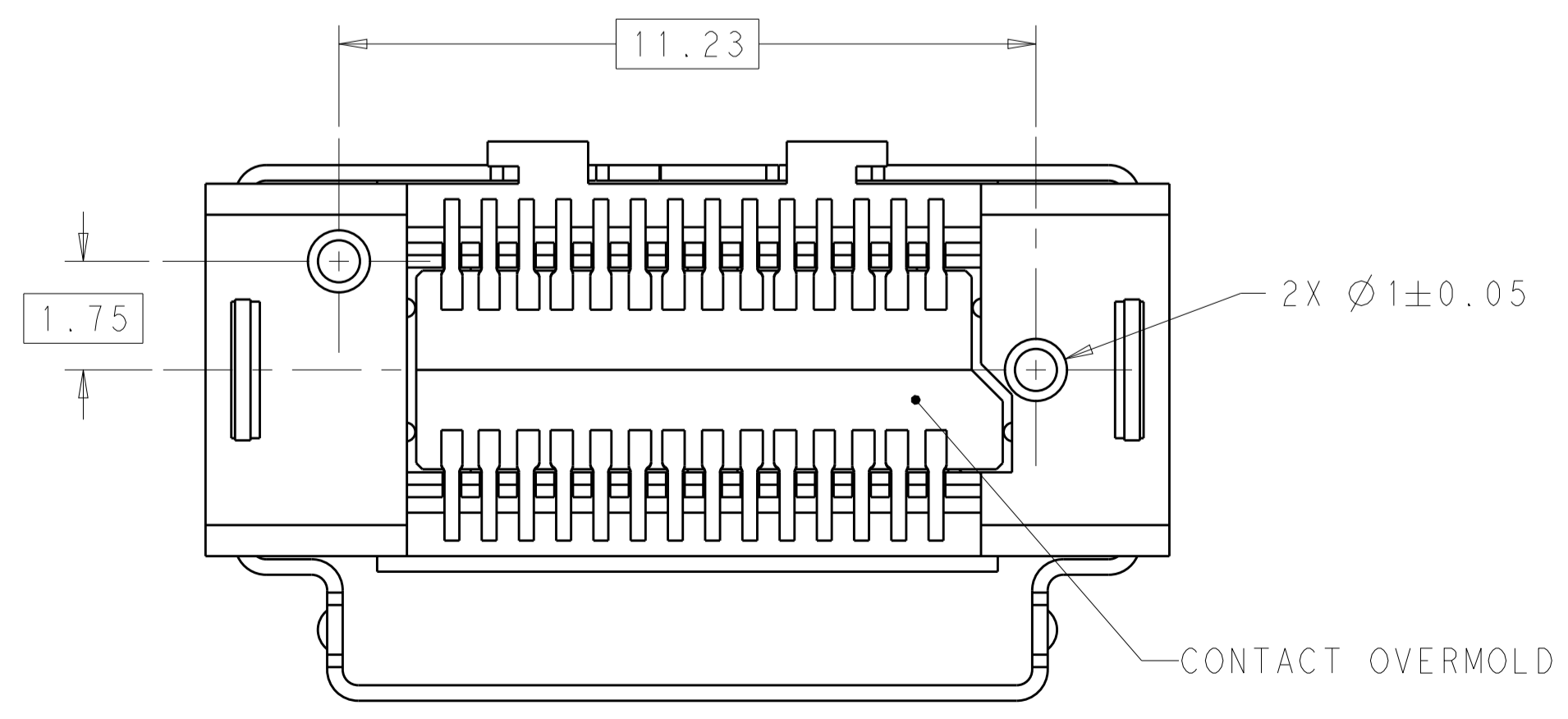
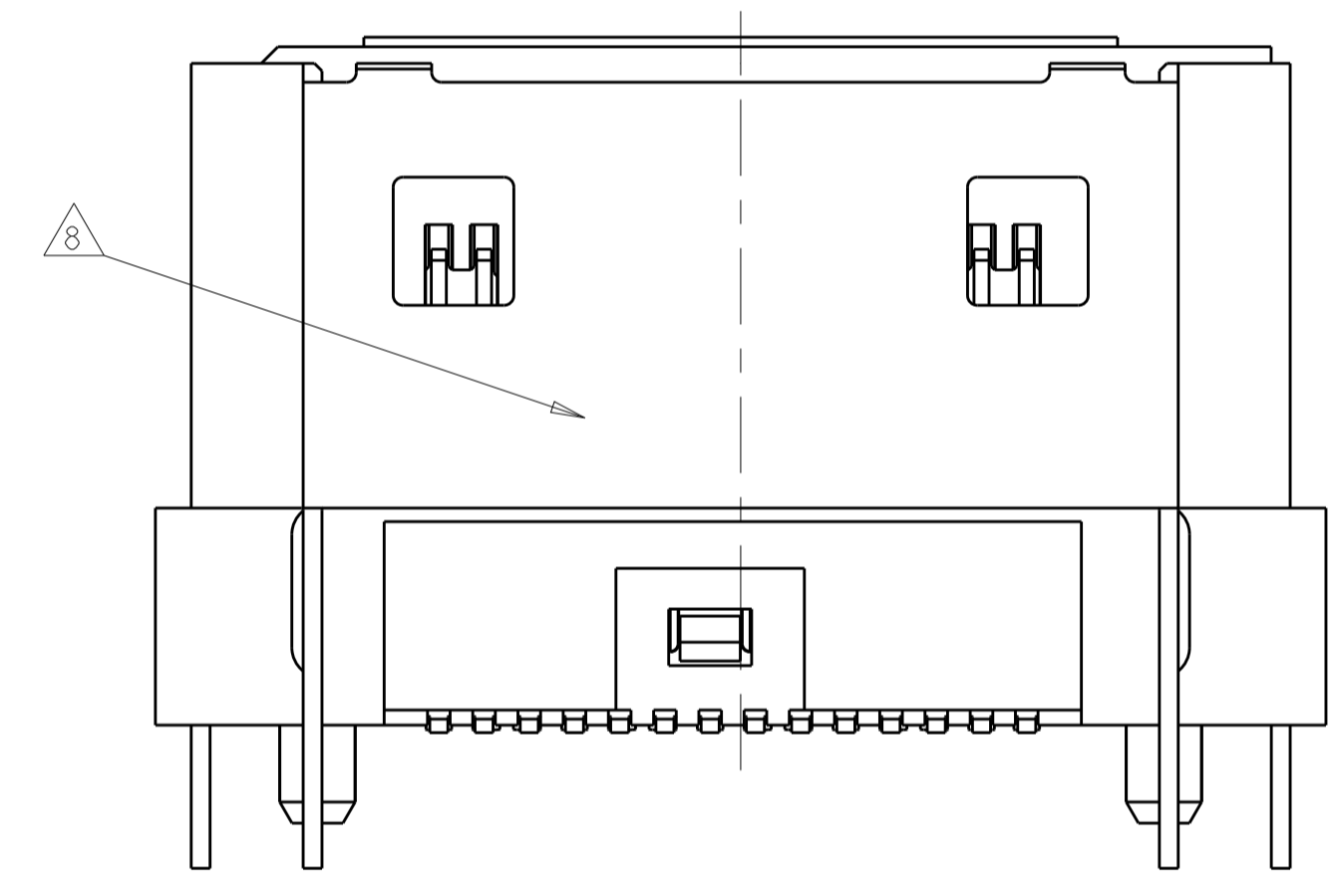
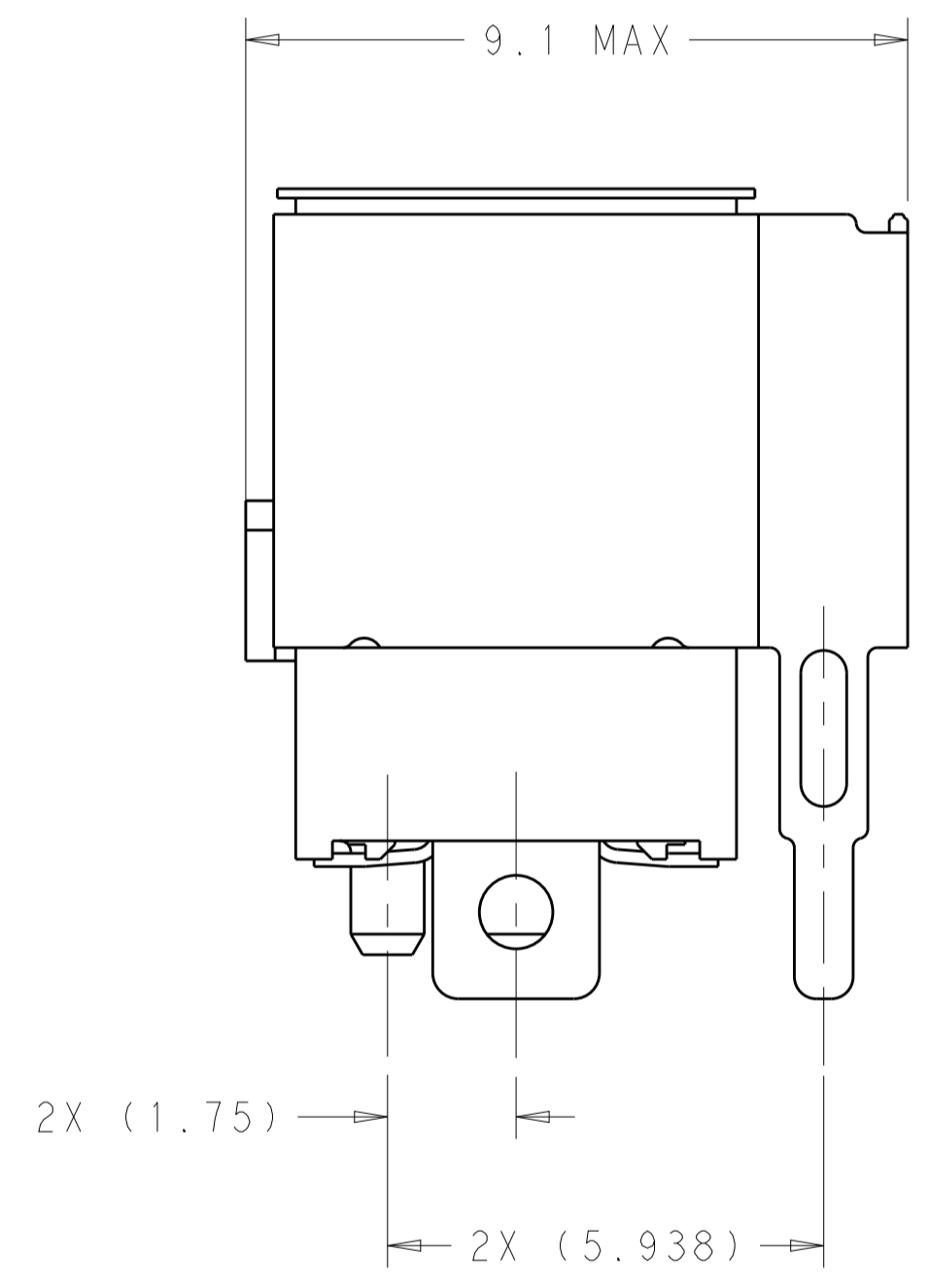
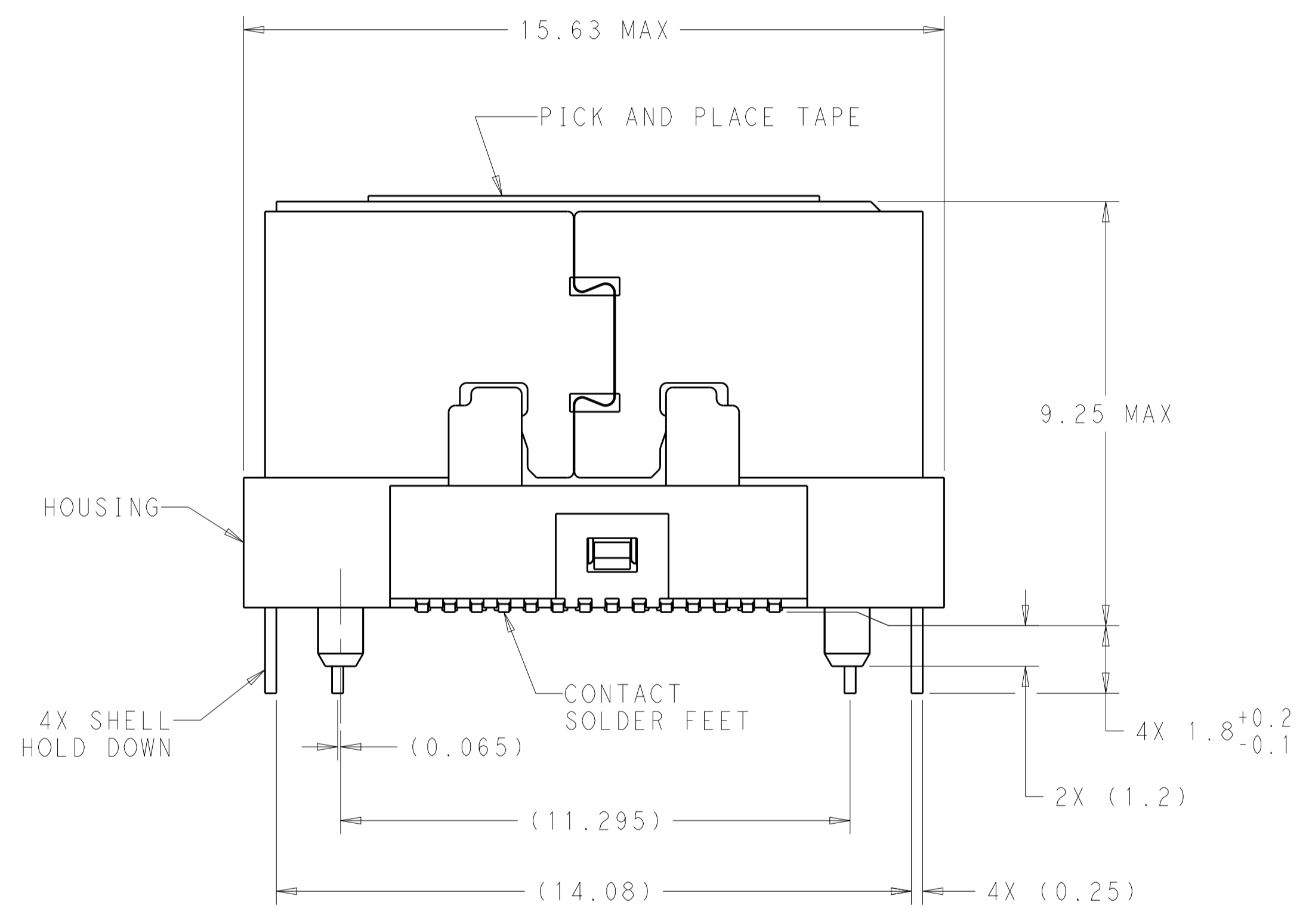


REVISIONS					
P	LTN	DESCRIPTION	DATE	DMN	APVD
A		RELEASED PER ECO-19-013357	29AUG2019	CJV	JW
B		REVISED PER ECO-19-014774	26SEP2019	CJV	JW



- 1. HOUSING - LCP, UL94V-0, BLACK.  
CONTACT OVERMOLDS - LCP, UL94V-0, BLACK.  
SHELL, CONTACTS, HOLD DOWNS - COPPER ALLOY.  
PICK AND PLACE TAPE - POLYIMIDE FILM.
- 2. CONTACTS - GOLD PLATE ON MATING SURFACES,  
TIN PLATE ON SOLDER FEET.  
HOLD DOWNS - TIN PLATE.  
SHELL - NICKEL PLATE, TIN PLATE ON HOLD  
DOWNS.
- 3. DATUMS AND BASIC DIMENSIONS ESTABLISHED  
BY CUSTOMER.
- 4. MINIMUM HOST PCB THICKNESS: 1.5.
- 5. SEE MSA SPECIFICATION FOR ADDITIONAL  
PADDLE CARD LAYOUTS COMPATIBLE WITH THIS  
RECEPTACLE AND FOR OPTIONAL SPLIT  
CONTACT PAD LAYOUTS FOR THE PADDLE CARD.  
SPECIFICATION PINOUT MAY ALSO DESIGNATE  
PAD SEQUENCE DIFFERENT FROM ILLUSTRATION.

- 6. POSITIONS DESIGNATED AS "SIGNAL" ARE  
REQUIRED LOCATIONS FOR HIGH SPEED  
DIFFERENTIAL PAIR SIGNALING. THESE  
LOCATIONS MAY ALSO BE USED FOR SUPPORTING  
SIDE BAND SIGNALS OR OTHER UTILITY  
PURPOSES. POSITIONS DESIGNATED AS  
"GROUND" ARE REQUIRED WHEN SUPPORTING  
HIGH SPEED DIFFERENTIAL SIGNALS. THESE  
LOCATIONS MAY ALSO BE USED FOR SIDE BAND  
SIGNALS OR OTHER UTILITY PURPOSES.
- 7. RECOMMENDED COMPONENT AND TRACE KEEP OUT  
AREA. EACH EDGE 0.15 MIN FROM EDGE OF  
HOLE.
- 8. PART NUMBER AND DATE CODE MARKED IN  
APPROXIMATE AREA SHOWN.
- 9. TAPE AND REEL PACKAGED FOR PICK AND PLACE  
SURFACE MOUNT PROCESSING.  
POCKET TAPE PITCH = 20.

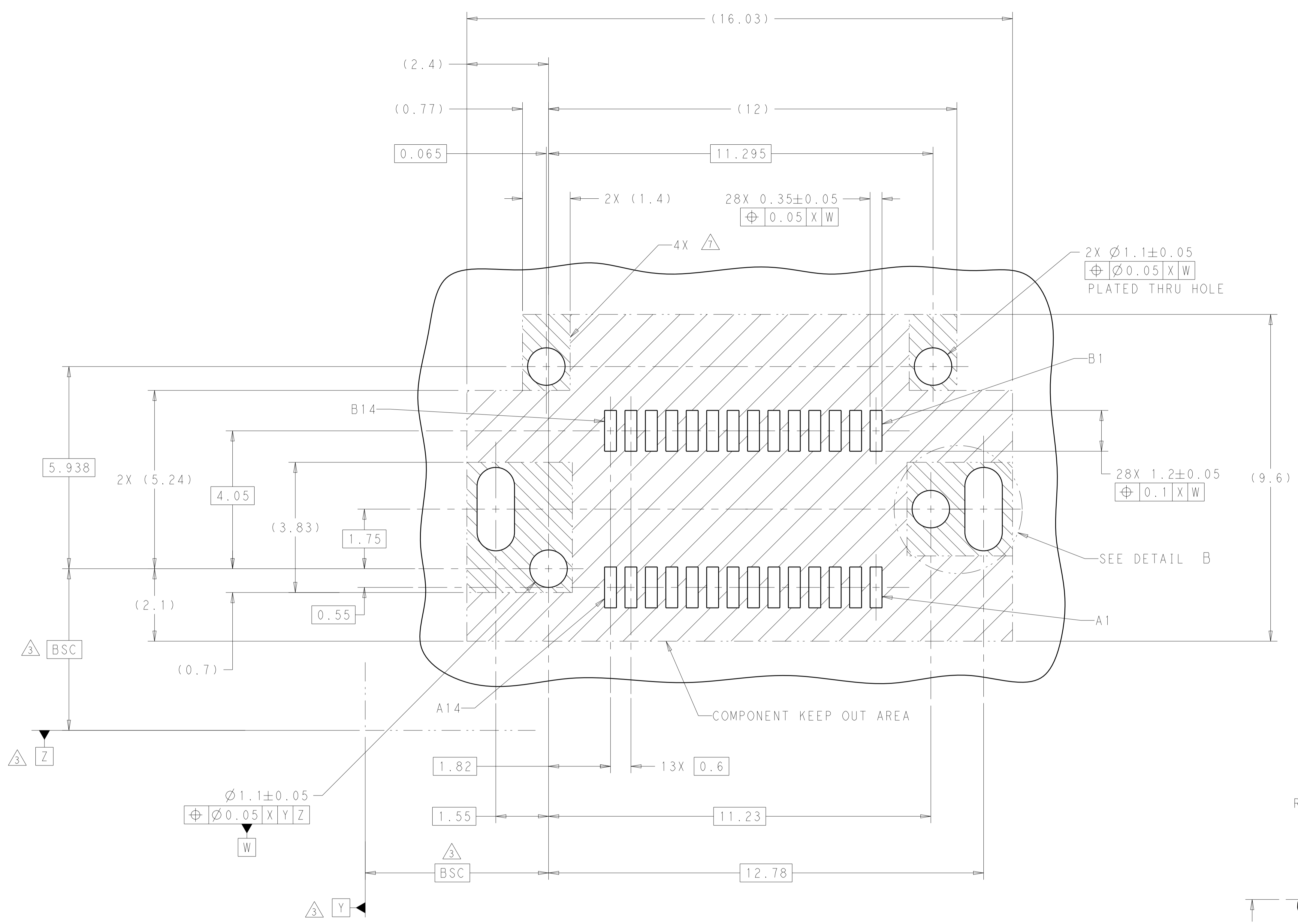


0.76 μm Au	200	2354531-3
0.38 μm Au	100	2354531-2
FLASH Au/PdNi	50	2354531-1
PLATING	MATING CYCLES	PART NUMBER

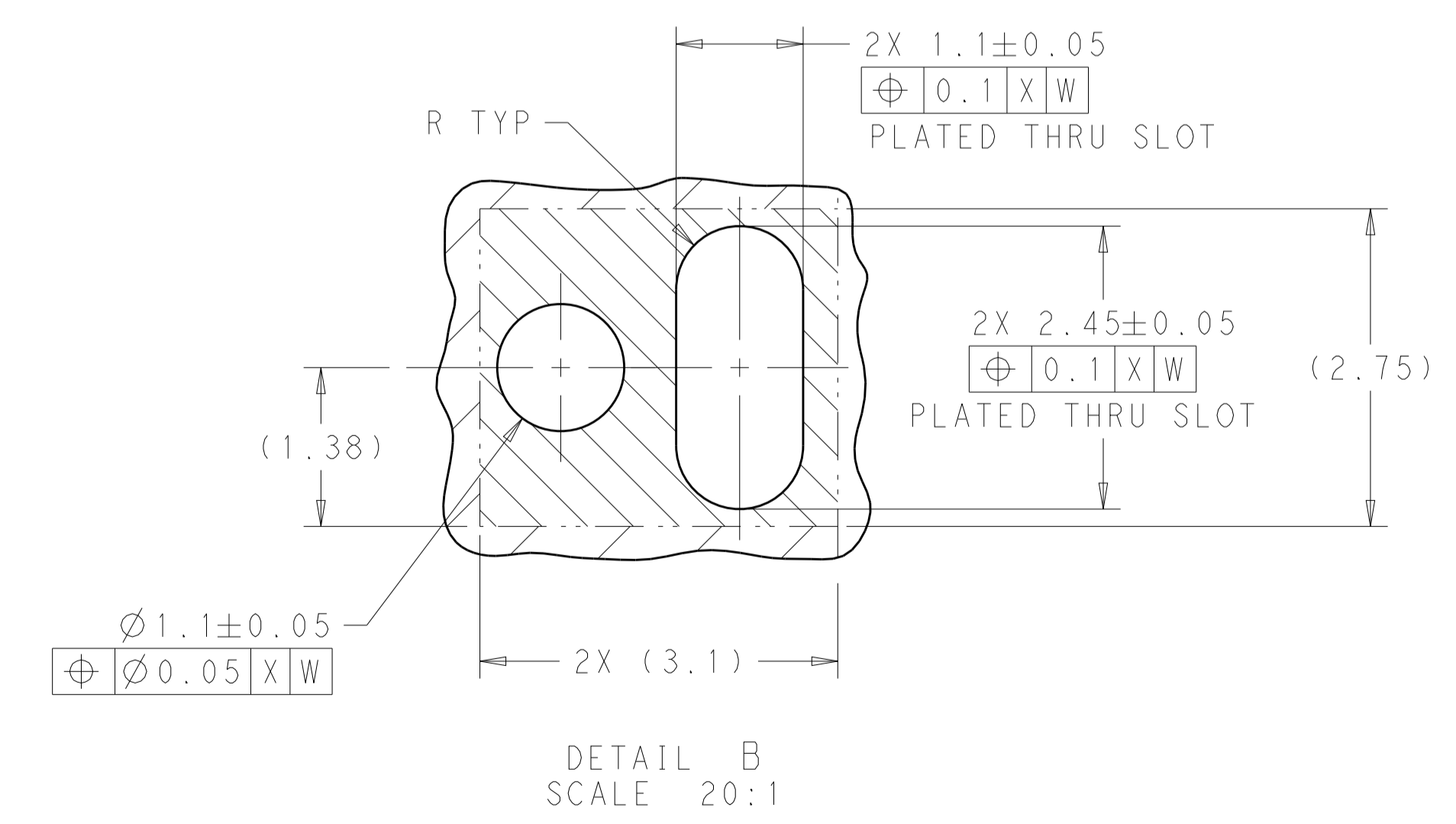
THIS DRAWING IS A CONTROLLED DOCUMENT.

DIMENSIONS:	TOLERANCES UNLESS OTHERWISE SPECIFIED:	DMN	08APR2019	TE Connectivity NAME RECEPTACLE ASSEMBLY, VERTICAL, 28 POSITION, SLIVER 2.0 PRODUCT SPEC 108-130021 APPLICATION SPEC 114-130015 WEIGHT CUSTOMER DRAWING
mm	0 PLC ±	CHK	08APR2019	
	1 PLC ±	APVD	08APR2019	
	2 PLC ±	SIZE	CAGE CODE DRAWING NO	
	3 PLC ±	RESTRICTED TO	A100779C=2354531	
	4 PLC ±	SCALE	10:1	
	ANGLES ±	SHEET	1 OF 3	
MATERIAL	FINISH	REV	B	

REVISIONS				
P.	LTN.	DESCRIPTION	DATE	APVD.
-	-	SEE SHEET 1	-	-



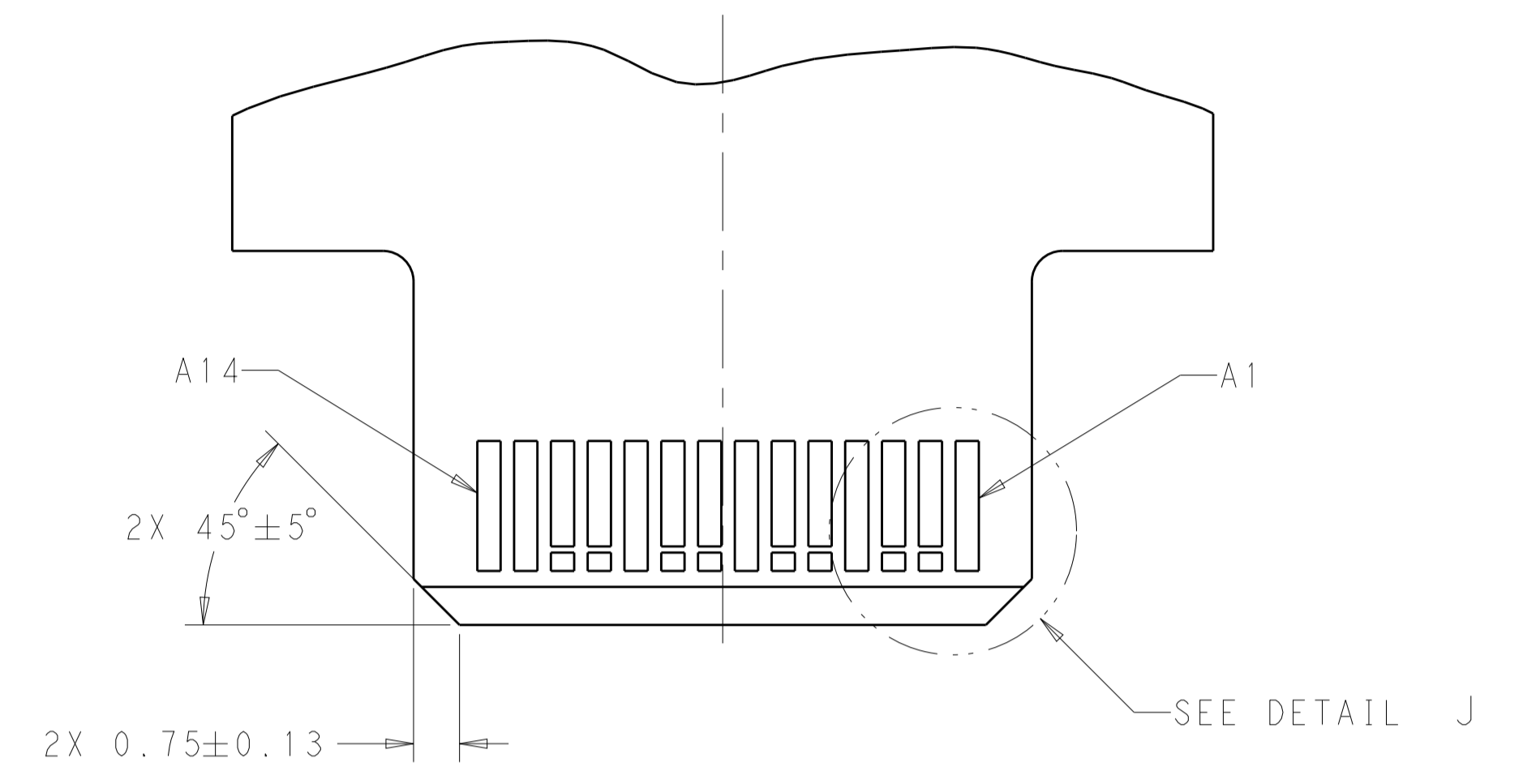
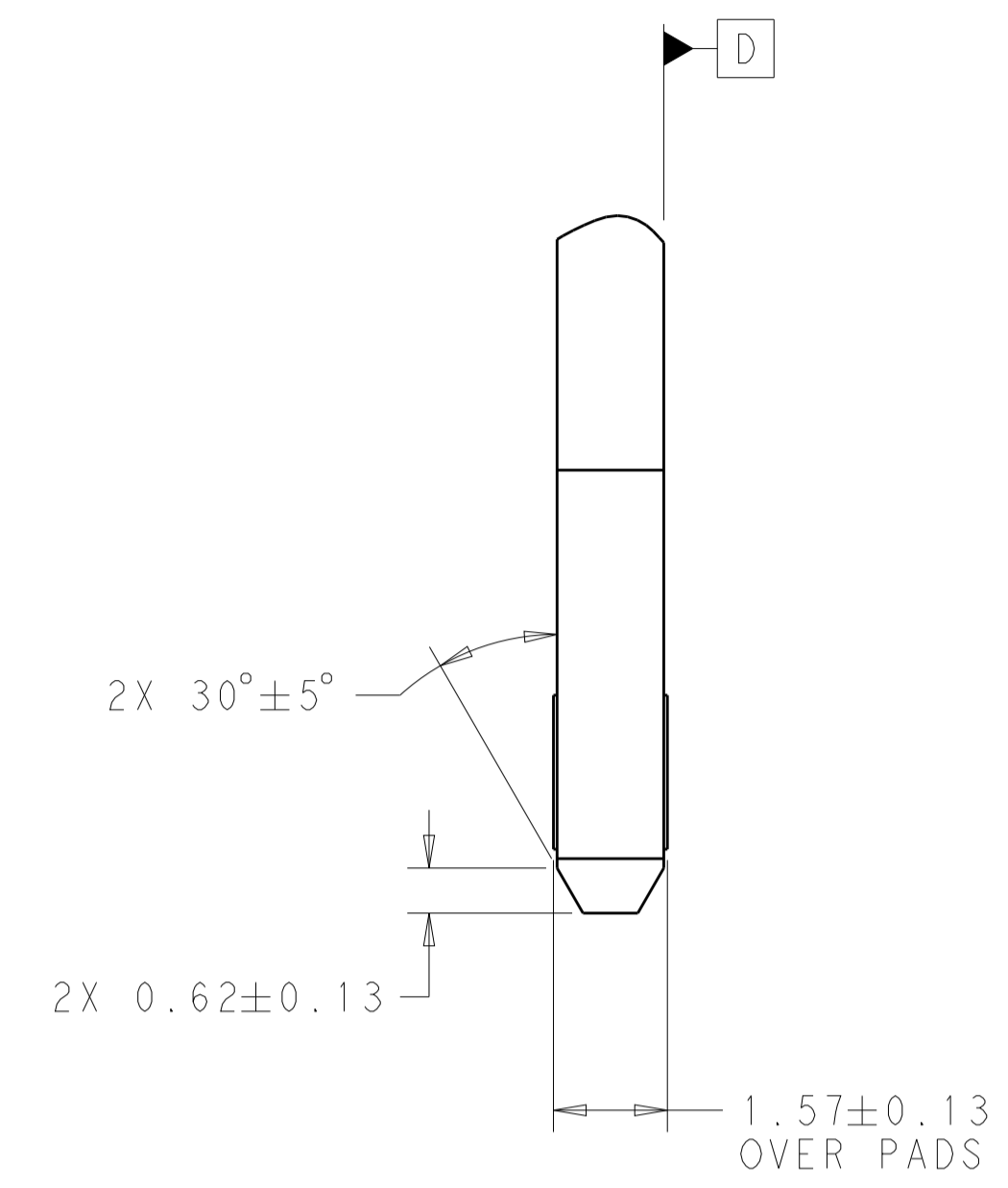
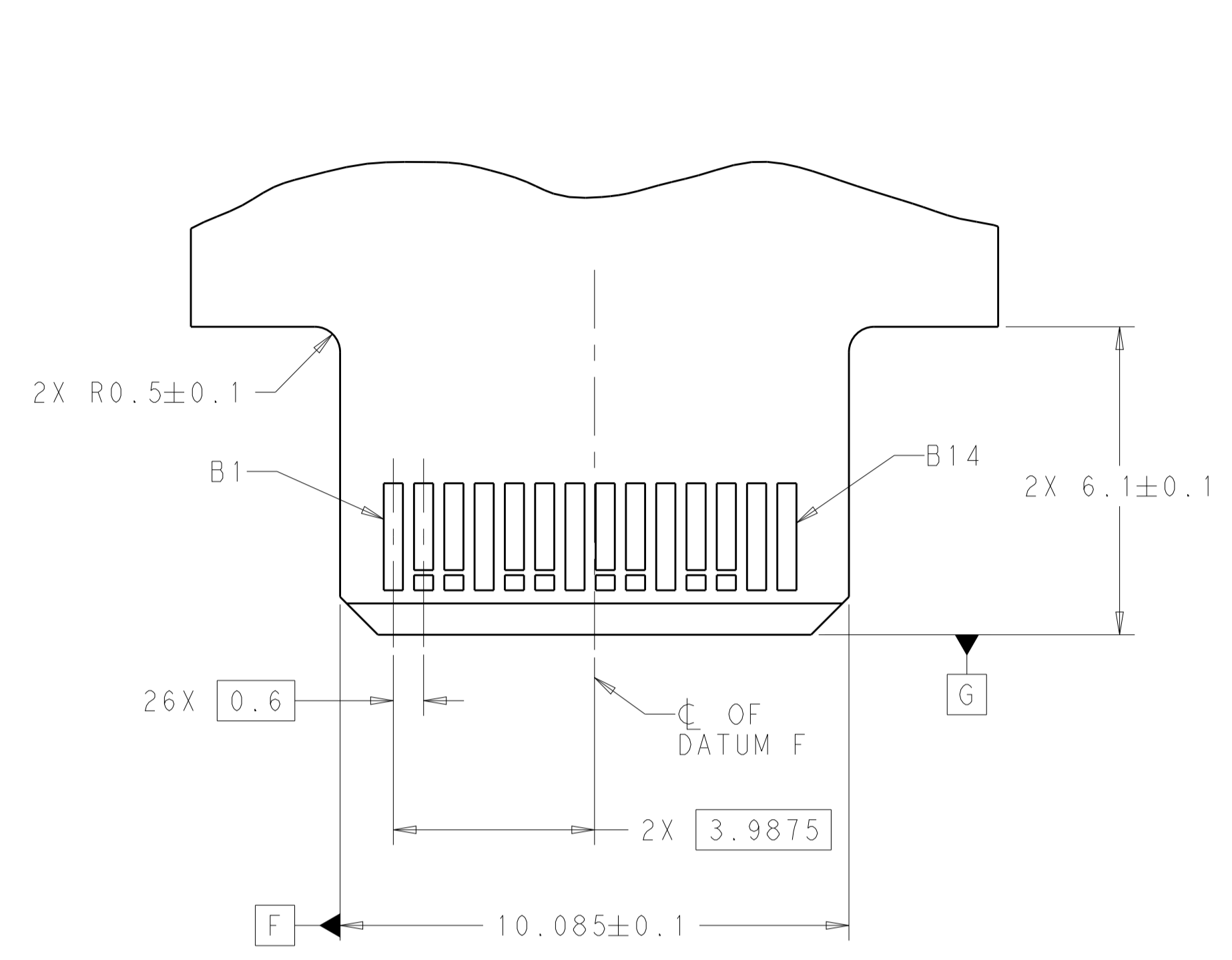
RECOMMENDED PCB LAYOUT AND KEEP OUT AREA  
SCALE 15:1



DETAIL B  
SCALE 20:1

THIS DRAWING IS A CONTROLLED DOCUMENT.		OWN: M. SHIRK 08APR2019	TE Connectivity
DIMENSIONS: mm		CHK: J. WESTMAN 08APR2019	
TOLERANCES UNLESS OTHERWISE SPECIFIED:		APVD: J. WESTMAN 08APR2019	NAME: RECEPTACLE ASSEMBLY, VERTICAL, 28 POSITION, SLIVER 2.0
0 PLC ±	1 PLC ±	PRODUCT SPEC	SIZE: 108-130021
2 PLC ±	3 PLC ±	APPLICATION SPEC	RESTRICTED TO: A1
4 PLC ±	ANGLES ±	114-130015	SCALE: 10:1
MATERIAL:	FINISH:	WEIGHT:	SHEET 2 OF 3
CUSTOMER DRAWING		SCALE: 10:1	REV B

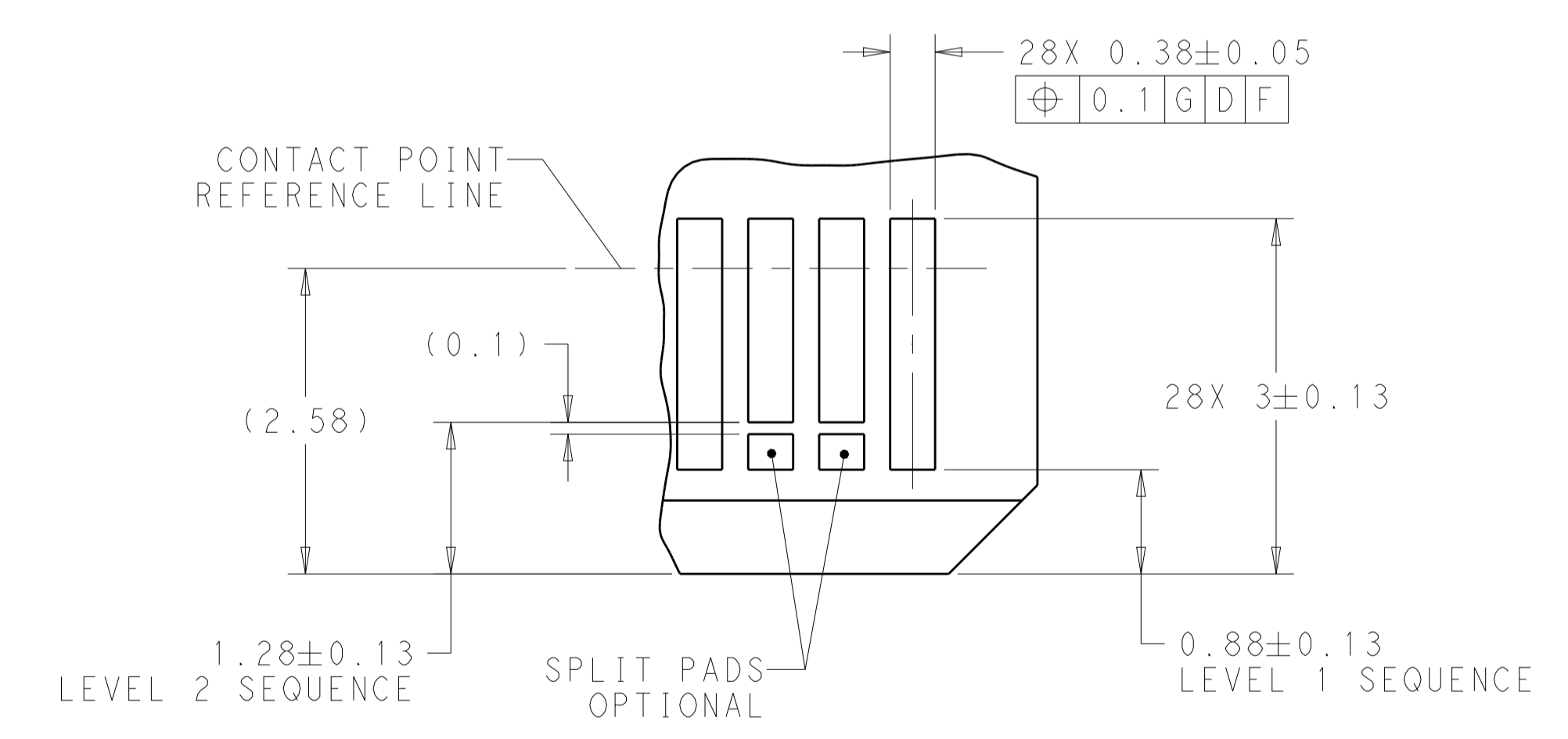
REVISIONS				
P.	LTN.	DESCRIPTION	DATE	OWN. / APVD.
-	-	SEE SHEET 1	-	-



RECOMMENDED PCB OUTLINE DIMENSIONS.  
 TOLERANCE VALUES ARE CRITICAL. PLEASE BE SURE TO DESIGNATE  
 TOLERANCES TO PCB SUPPLIER TO ENSURE OPTIMIZED FUNCTIONALITY.

CONTACT NUMBER	SIDE A	SIDE B
1	GROUND	GROUND
2	SIGNAL	SIGNAL
3	SIGNAL	SIGNAL
4	GROUND	GROUND
5	SIGNAL	SIGNAL
6	SIGNAL	SIGNAL
7	GROUND	GROUND
8	SIGNAL	SIGNAL
9	SIGNAL	SIGNAL
10	GROUND	GROUND
11	SIGNAL	SIGNAL
12	SIGNAL	SIGNAL
13	GROUND	GROUND
14	GROUND	GROUND

CONNECTOR CONTACT IDENTIFICATION



DETAIL J  
 SCALE 20:1

THIS DRAWING IS A CONTROLLED DOCUMENT.		OWN: M. SHIRK 08APR2019	TE Connectivity
DIMENSIONS: mm		CHK: J. WESTMAN 08APR2019	
TOLERANCES UNLESS OTHERWISE SPECIFIED:		APVD: J. WESTMAN 08APR2019	NAME: RECEPTACLE ASSEMBLY, VERTICAL, 28 POSITION, SLIVER 2.0
0 PLC ±	1 PLC ±	PRODUCT SPEC: 108-130021	SIZE: CAGE CODE DRAWING NO: A100779C=2354531
2 PLC ±	3 PLC ±	APPLICATION SPEC: 114-130015	RESTRICTED TO: -
4 PLC ±	ANGLES ±	WEIGHT: -	SCALE: 10:1 SHEET 3 OF 3 REV B
MATERIAL: FINISH:		CUSTOMER DRAWING	