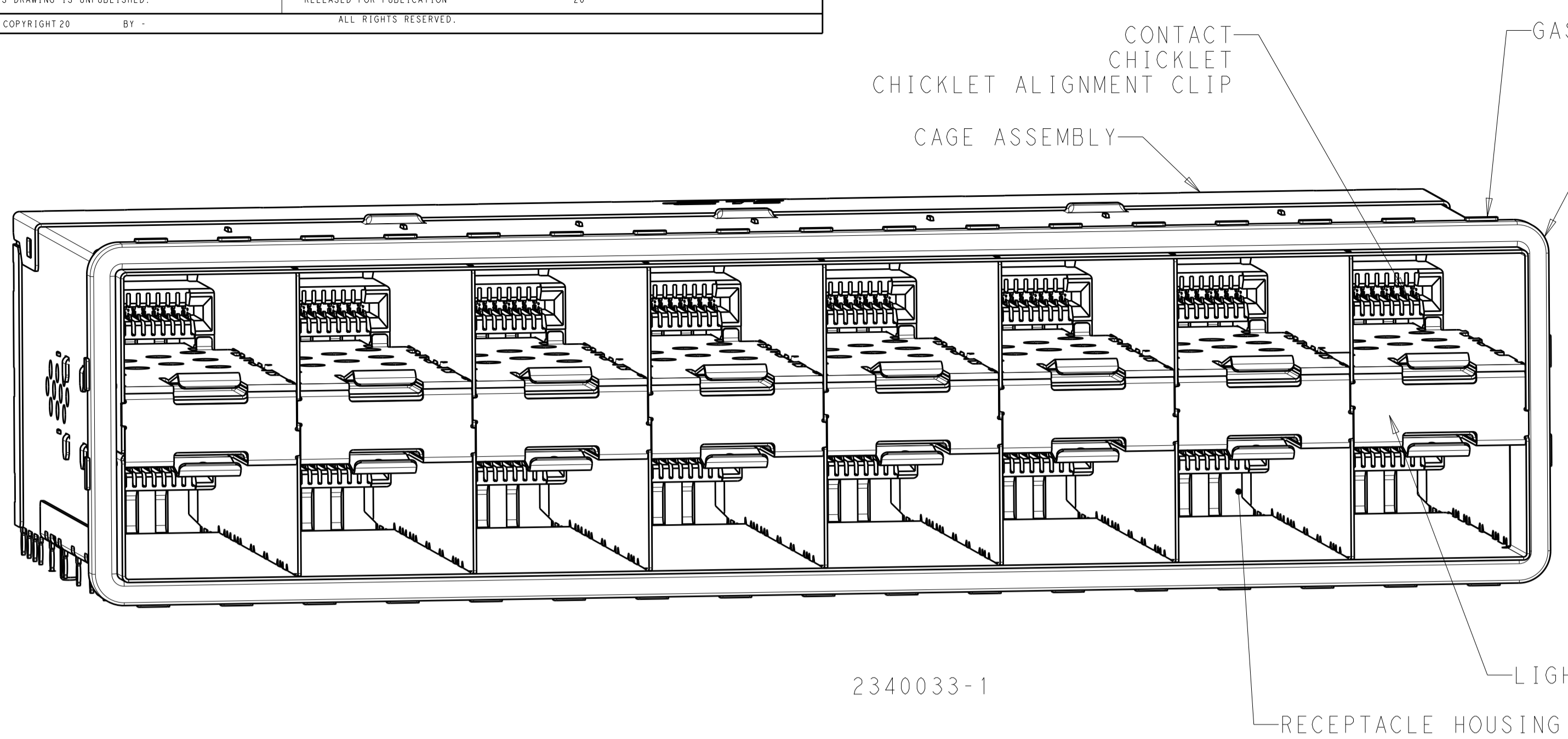
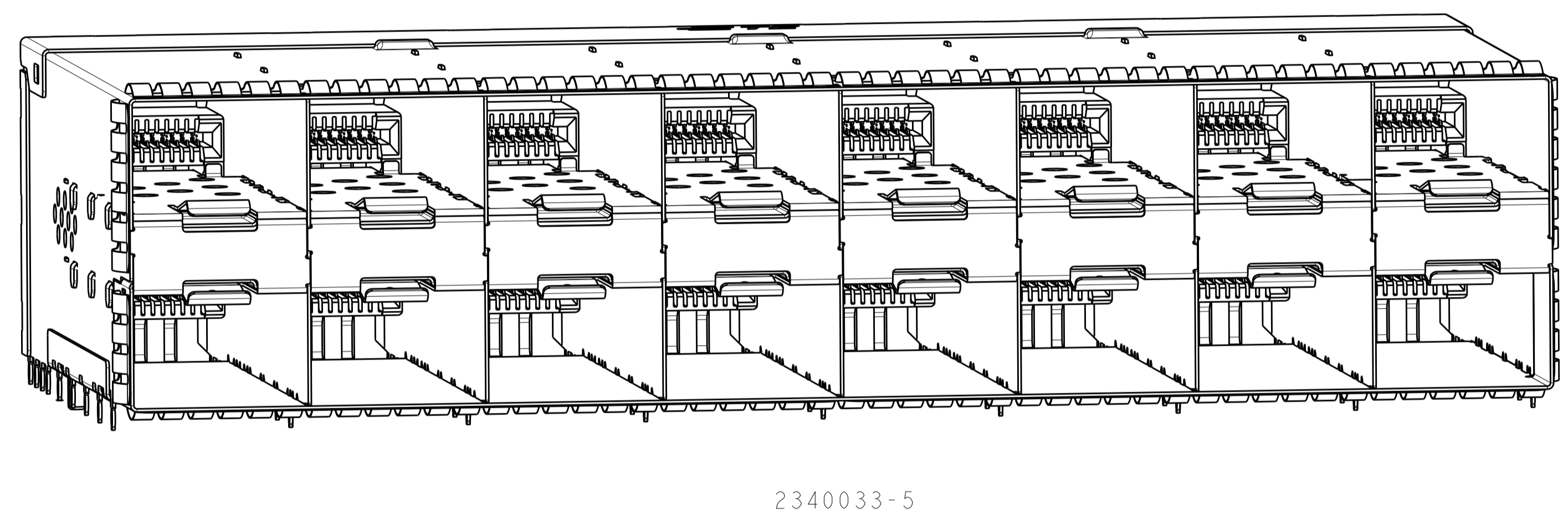


LOC	DIST	REVISIONS					
GP	00	P	LTN	DESCRIPTION	DATE	DWN	APVD
		A		PRODUCTION RELEASE	28MAY2018	JW	SH
		A1		DASH3-4 DESIGN CHANGE	19JUN2019	JW	SH
		A2		ADD VENT HOLES ON DASH3-4	27JUN2019	JW	SH
		B		REVISED PER ECO-19-010341	04JUL2019	JY	SH

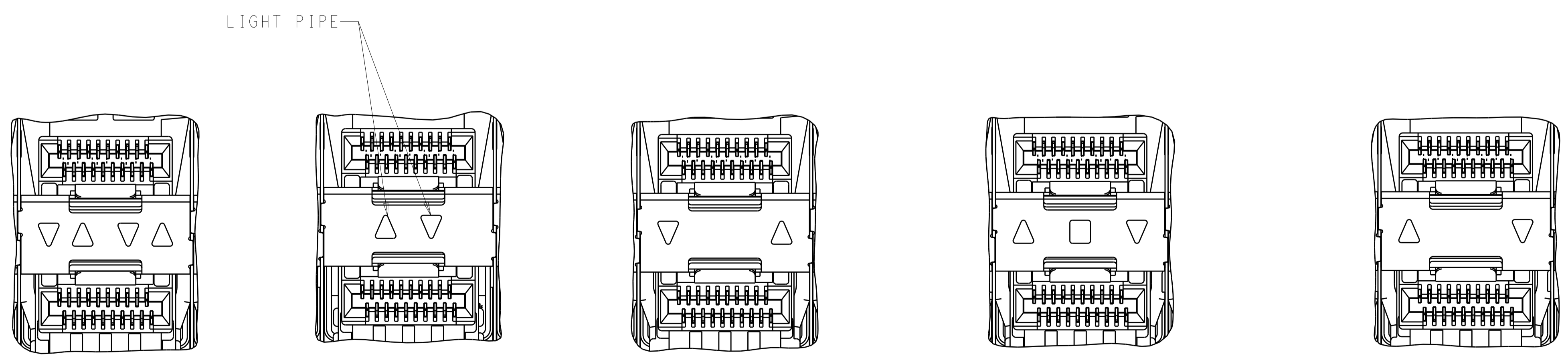


- MATERIALS:**  
 CAGE ASSEMBLY - NICKEL-SILVER ALLOY PER ASTM B 122  
 CONNECTOR HOUSING - LCP, BLACK, UL 94V-0 RATED  
 CHICKLET - LCP, BLACK, UL 94V-0 RATED  
 CHICKLET ALIGNMENT CLIP - LCP, BLACK, UL 94V-0 RATED  
 CONTACT - COPPER ALLOY  
 EMI GASKET - ELASTOMERIC  
 GASKET FLANGE - STAINLESS STEEL  
 EMI SPRINGS - PHOSPHOR BRONZE PER ASTM B 103,  
 0.8µm MIN TIN PER ASTM B 545  
 LIGHT PIPE - POLYCARBONATE  
 LIGHT PIPE PLATE- STAINLESS STEEL
- CONTACT FINISH:**  
 CONFORMS TO THE REQUIREMENTS OF PRODUCT SPECIFICATION 108-2481, BASED ON EIA/ECA-364-1000.01A, (CONTROLLED ENVIRONMENT APPLICATIONS) ON MATING INTERFACE, TIN ON NEEDLE EYE
- PCB MINIMUM THICKNESS = 1.5mm**

- △4 FOR HOLE SIZE AND PLATINGS, SEE APPLICATION SPECIFICATION 114-13319
- △5 LIGHT PIPE PAD LAYOUT IS FOR 0805 LOW PROFILE LED PACKAGE WITH A HEIGHT OF 0.8mm
- △6 DIMENSIONS APPLY FOR EMI SPRINGS ONLY
- △7 THE ENTIRE AREA OF THE CONNECTOR FOOTPRINT, INDICATED BY THE DASHED LINE, TO BE CONSIDERED THE KEUPTAKE AREA FOR COMPONENTS AND SIGNAL TRACES, TOP SIDE ONLY, TOP SIDE TRACES ALLOWED WITHIN CONNECTOR HOLE PATTERN
- △8 THE DIMENSIONS APPLY TO 4-2340033-0 ONLY.



116.5	THERMAL HOLE TOP SURFACE	INNER	4-2340033-0
116.5	EMI SPRINGS, CUSTOMIZED THERMAL ENHANCE	INNER	3-2340033-4
116.5	EMI SPRINGS, TAPE AIRFLOW ENHANCE TYPE	NONE	3-2340033-3
119.25	EMI GASKET LOW PROFILE FLANGE	INNER	3-2340033-2
116.5	EMI SPRINGS AIRFLOW ENHANCE TYPE	NONE	3-2340033-1
119.25	EMI GASKET AIRFLOW ENHANCE TYPE	NONE	3-2340033-0
116.5	EMI SPRINGS	REVERSED OUTER	2-2340033-0
		CENTER/REVERSED OUTER	1-2340033-9
119.25	EMI GASKET	REVERSED OUTER	1-2340033-8
		CENTER/REVERSED OUTER	1-2340033-7
116.5	EMI SPRING WITH NICKEL PLATING ONLY	OUTER	1-2340033-2
		INNER	1-2340033-1
		INNER/OUTER	1-2340033-0
116.5	EMI SPRINGS	NONE	2340033-9
		OUTER	2340033-8
		INNER	2340033-7
119.25	EMI GASKET	INNER/OUTER	2340033-6
		NONE	2340033-5
		OUTER	2340033-4
119.25	EMI GASKET	INNER	2340033-3
		INNER/OUTER	2340033-2
		NONE	2340033-1
(E)	CAGE TYPE	LIGHT PIPE CONFIGURATION	PART NUMBER



INNER/OUTER LIGHT PIPE 2340033-2, 2340033-6 SCALE 4:1  
 INNER LIGHT PIPE 2340033-3, 2340033-7 SCALE 4:1  
 OUTER LIGHT PIPES 2340033-4, 2340033-8 SCALE 4:1  
 CENTER/REVERSED OUTER LIGHT PIPES 1-2340033-7, 1-2340033-9 SCALE 4:1  
 REVERSED OUTER LIGHT PIPES 1-2340033-8, 2-2340033-0 SCALE 4:1

THIS DRAWING IS A CONTROLLED DOCUMENT. DWN: J. WANG 26JUL2018  
 CHK: S. HAN 26JUL2018  
 APVD: S. HAN 26JUL2018

**STE** TE Connectivity

NAME: RECEPTACLE ASSEMBLY, 2X8, STACKED, SFP56

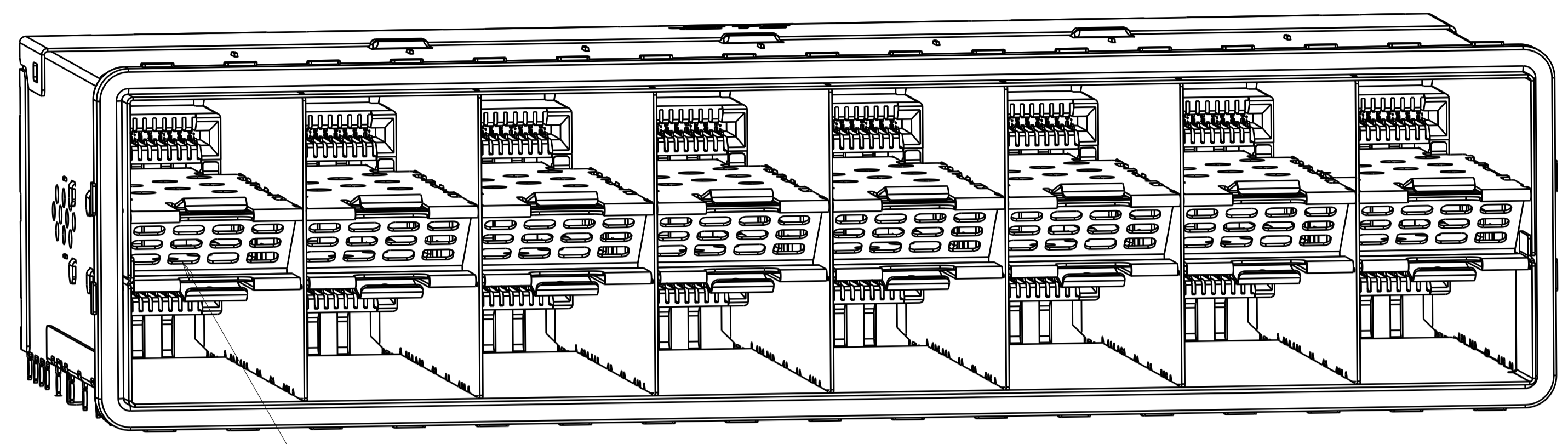
PRODUCT SPEC: 108-2481  
 APPLICATION SPEC: 114-13319

SIZE: A1 CAGE CODE: 2340033 DRAWING NO: 100779  
 WEIGHT: -  
 CUSTOMER DRAWING

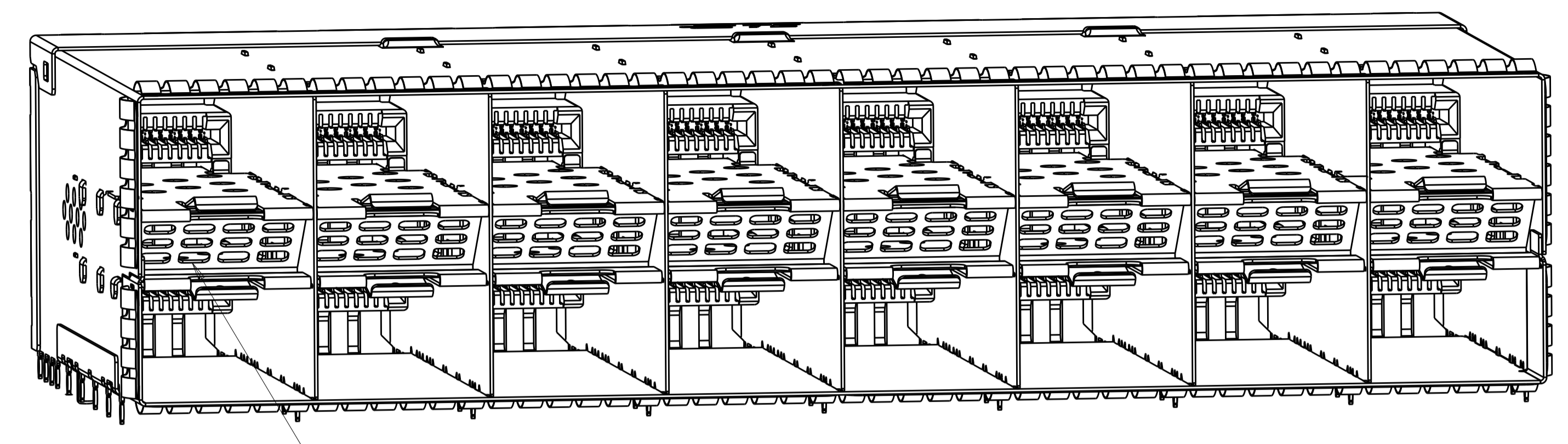
SCALE: 3:1 SHEET 1 OF 7 REV B

LOC	DIST	REVISIONS					
GP	00	P	LYR	DESCRIPTION	DATE	OWN	APVD
				SEE SHEET 1			

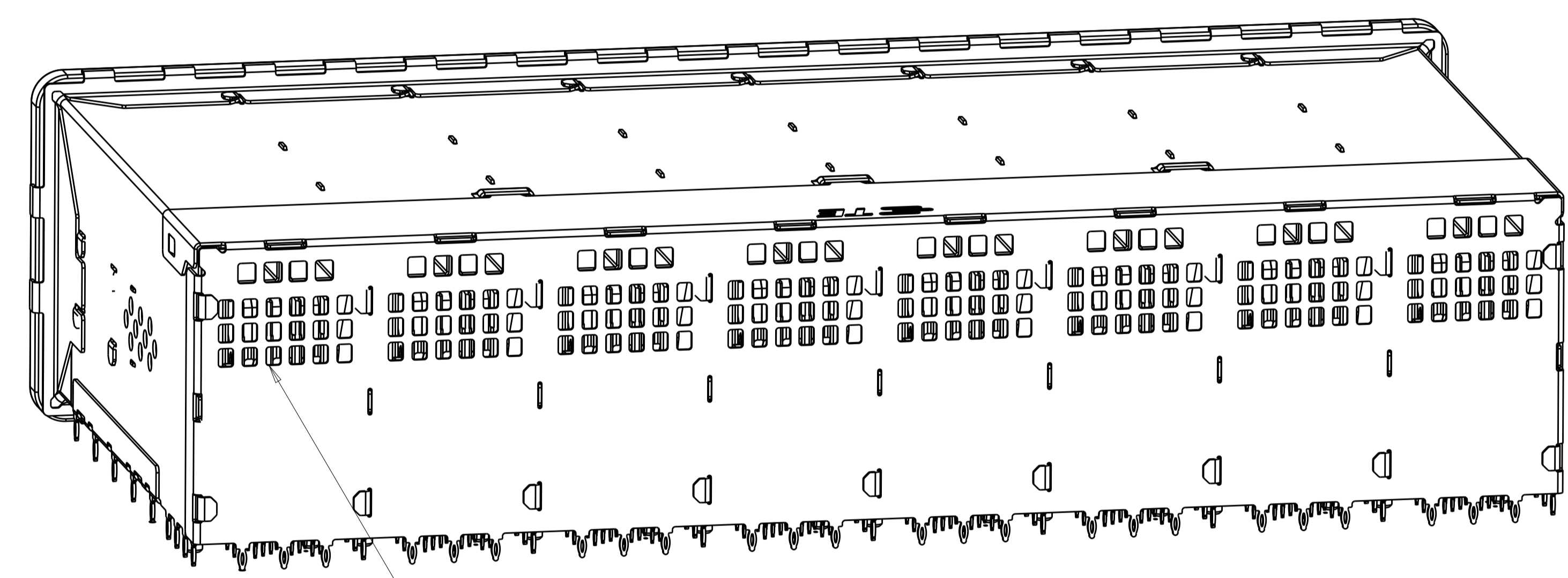
AIRFLOW ENHANCE TYPE



AIR VENTS

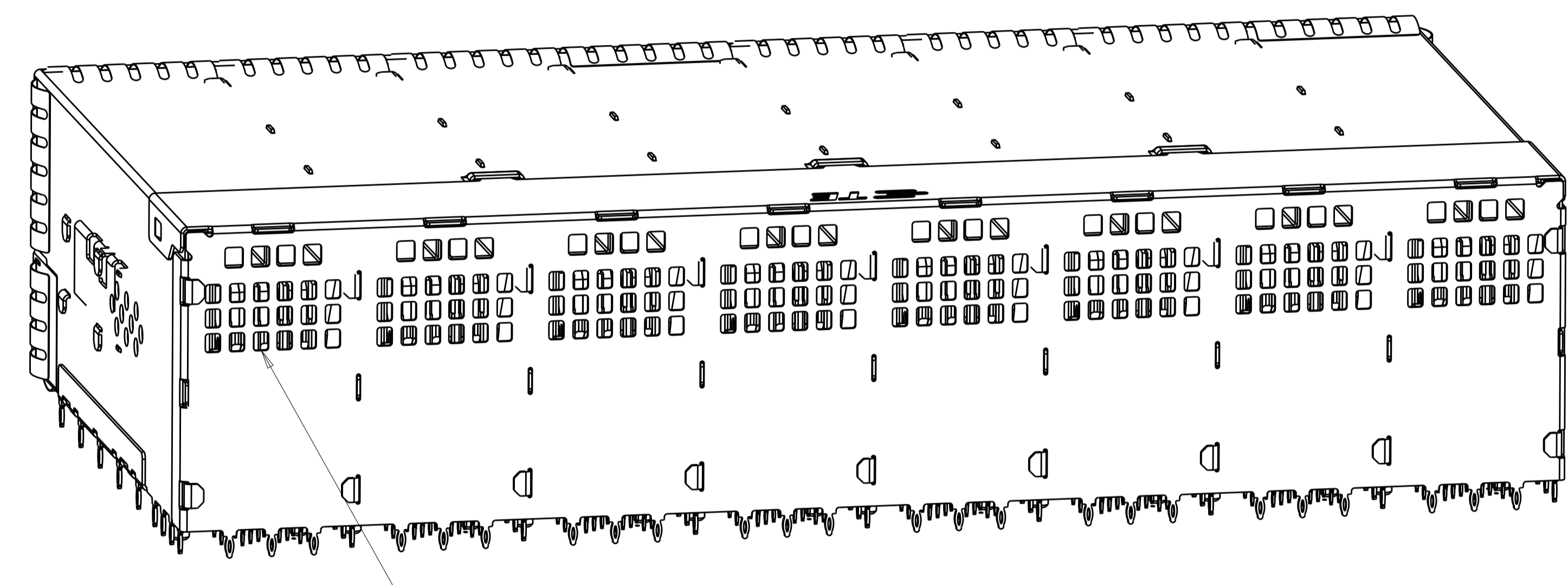


AIR VENTS



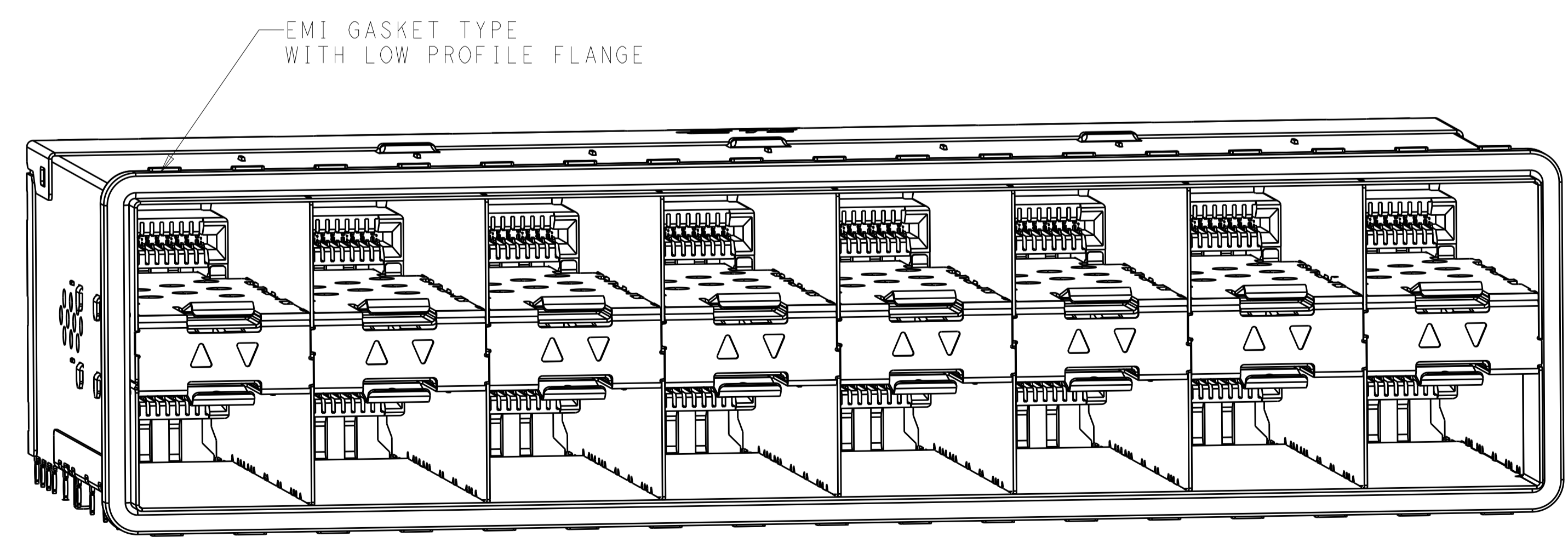
AIR VENTS

3-2340033-0  
EMI GASKET TYPE

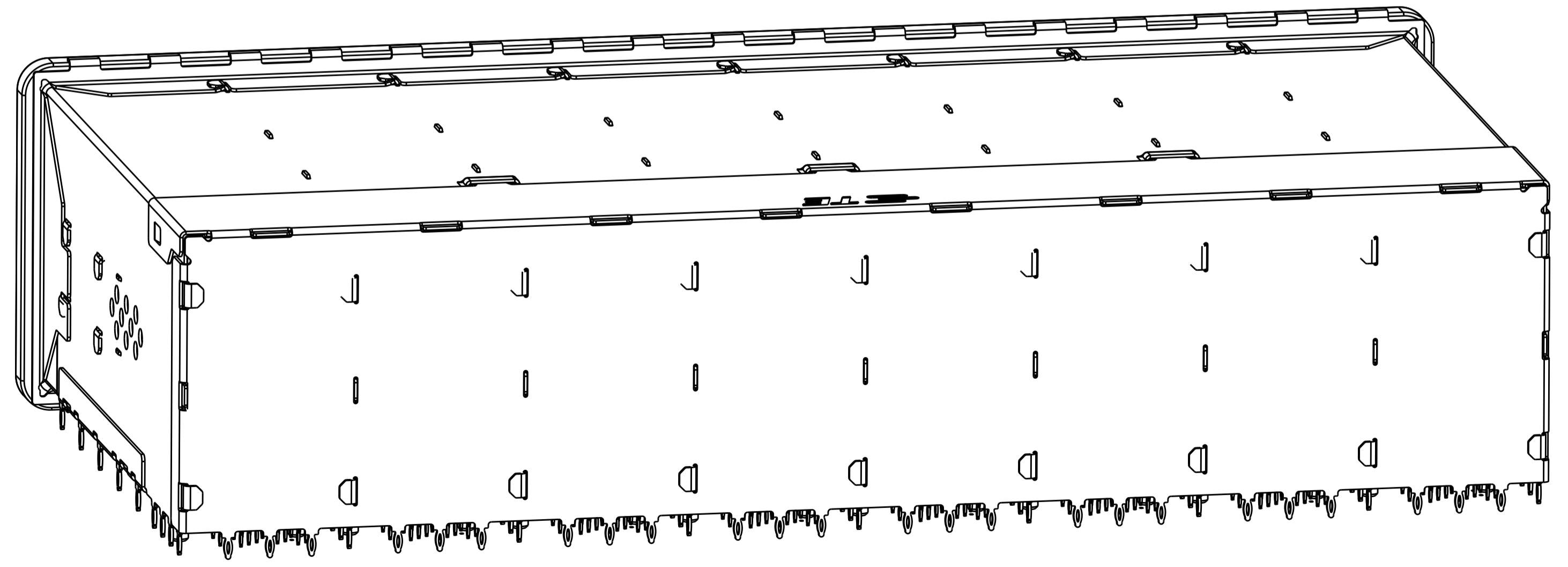


AIR VENTS

3-2340033-1  
EMI SPRING TYPE



EMI GASKET TYPE  
WITH LOW PROFILE FLANGE



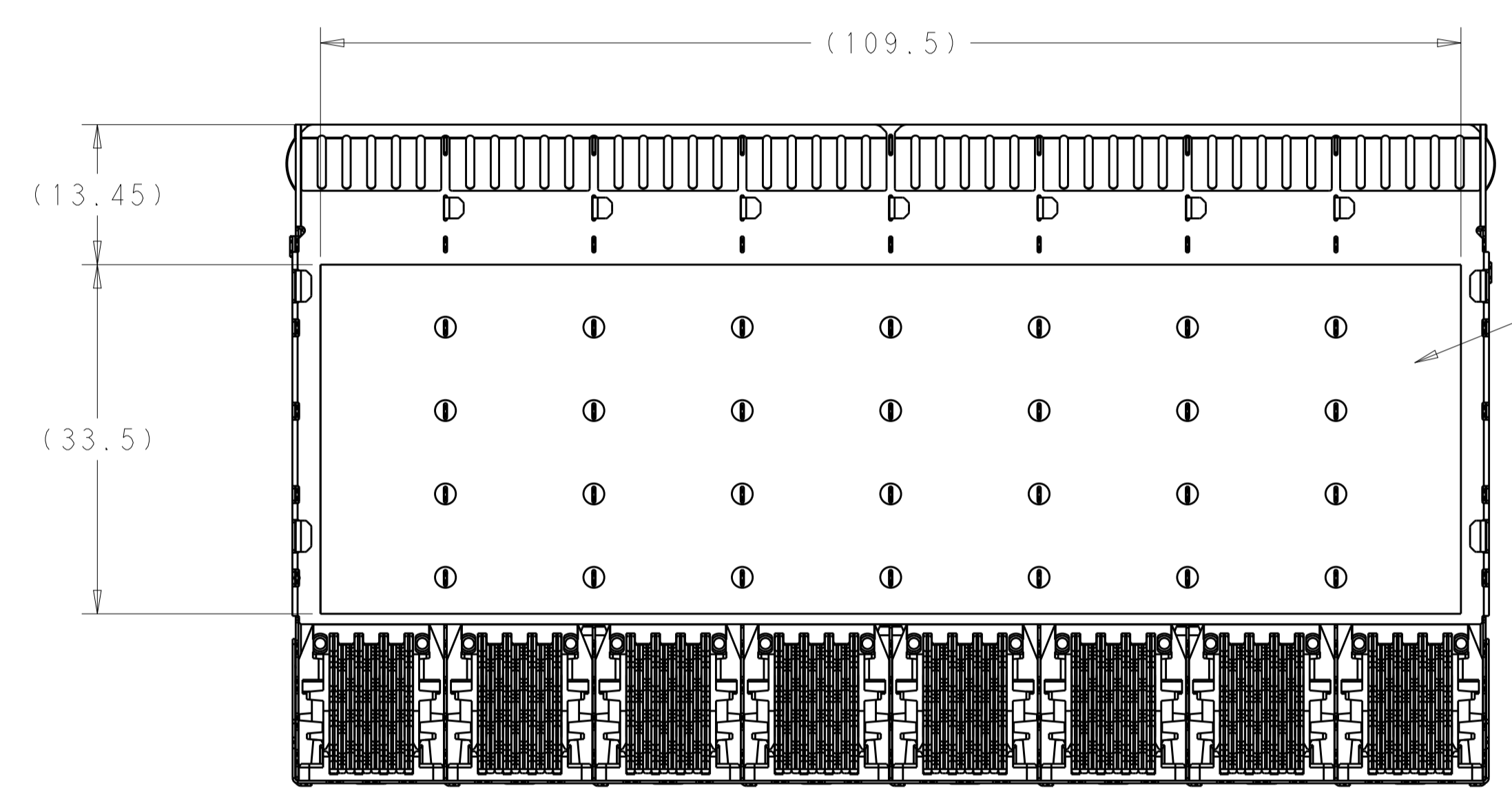
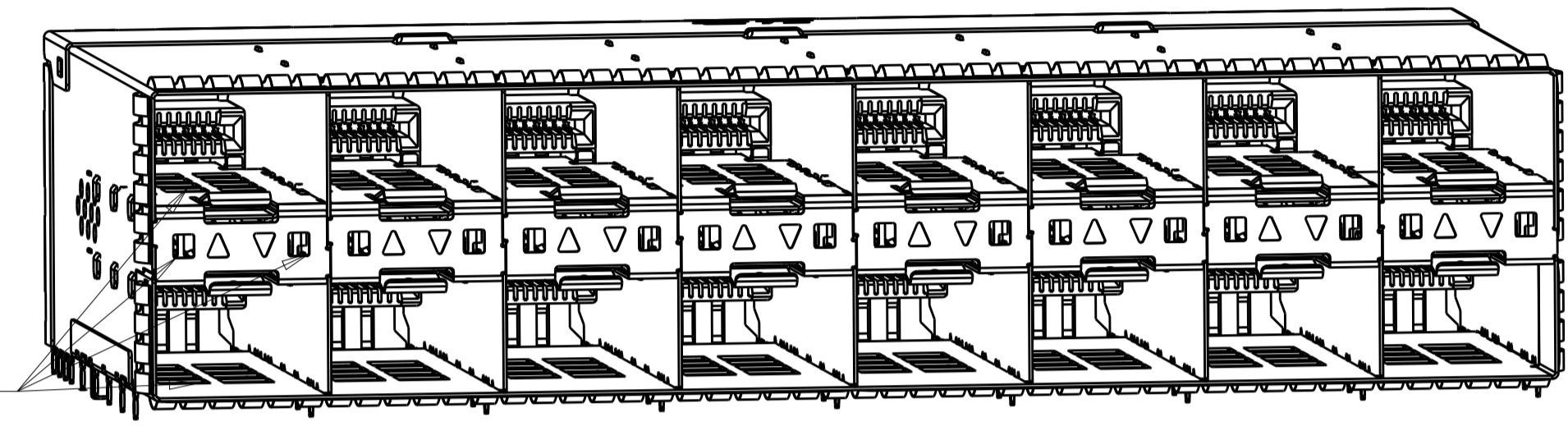
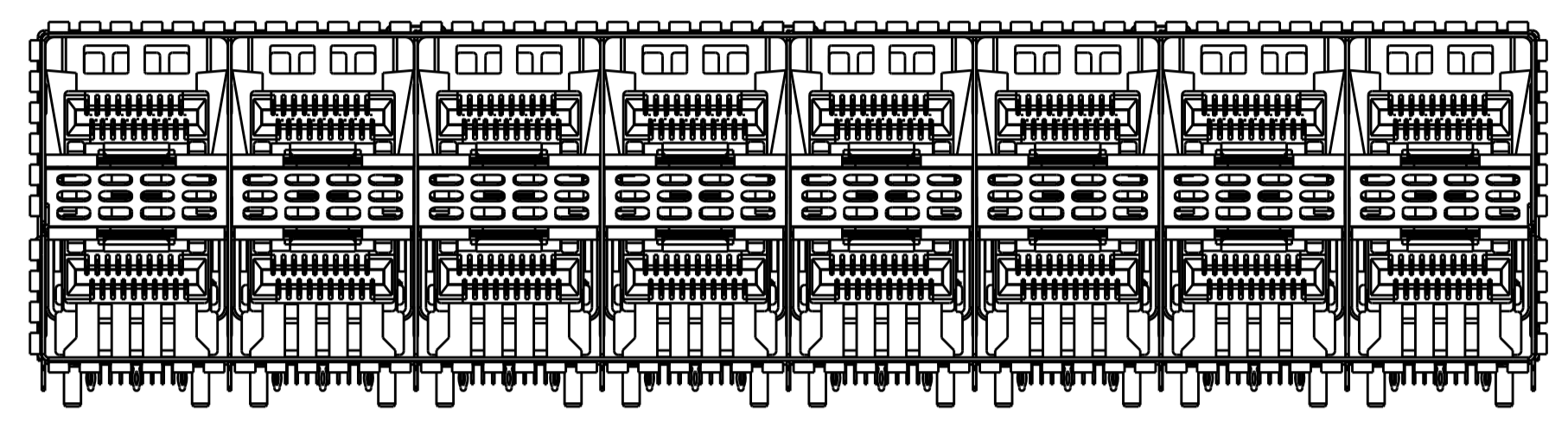
3-2340033-2

THIS DRAWING IS A CONTROLLED DOCUMENT.		OWN: J. WANG 26 JUL 2018	TE Connectivity NAME: RECEPTACLE ASSEMBLY, 2X8, STACKED, SFP56 PRODUCT SPEC: 108-2481 APPLICATION SPEC: 114-13319 SIZE: A1 CAGE CODE: 2340033 DRAWING NO: 2340033	RESTRICTED TO	
DIMENSIONS: mm		CHK: S. HAN 26 JUL 2018		SCALE: 3:1	SHEET 2 OF 7
TOLERANCES UNLESS OTHERWISE SPECIFIED: 0 PLC ±0.25 1 PLC ±0.25 2 PLC ±0.25 3 PLC ±0.25 4 PLC ±0.25 ANGLES ±°		APVD: S. HAN 26 JUL 2018		REV B	
MATERIAL: SEE NOTES		FINISH: SEE NOTES		CUSTOMER DRAWING	

LOC	DIST	REVISIONS					
GP	00	P	LYR	DESCRIPTION	DATE	DWN	APVD
		-		SEE SHEET 1		-	-

3-2340033-3  
 UNMARKED DIMENSIONS  
 SAME AS 3-2340033-1

3-2340033-4  
 UNMARKED DIMENSIONS  
 SAME AS 3-2340033-1

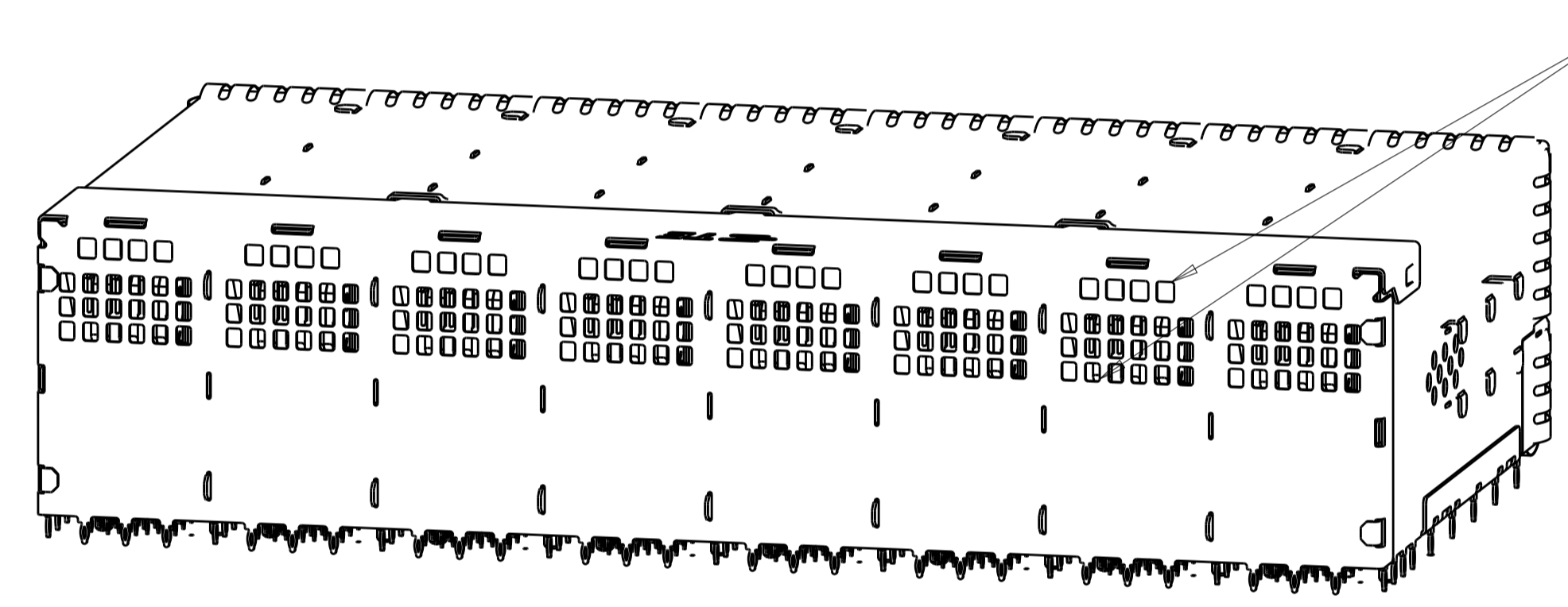


VENT HOLES

SCALE 2:1

INSULATION TAPE

VENT HOLES

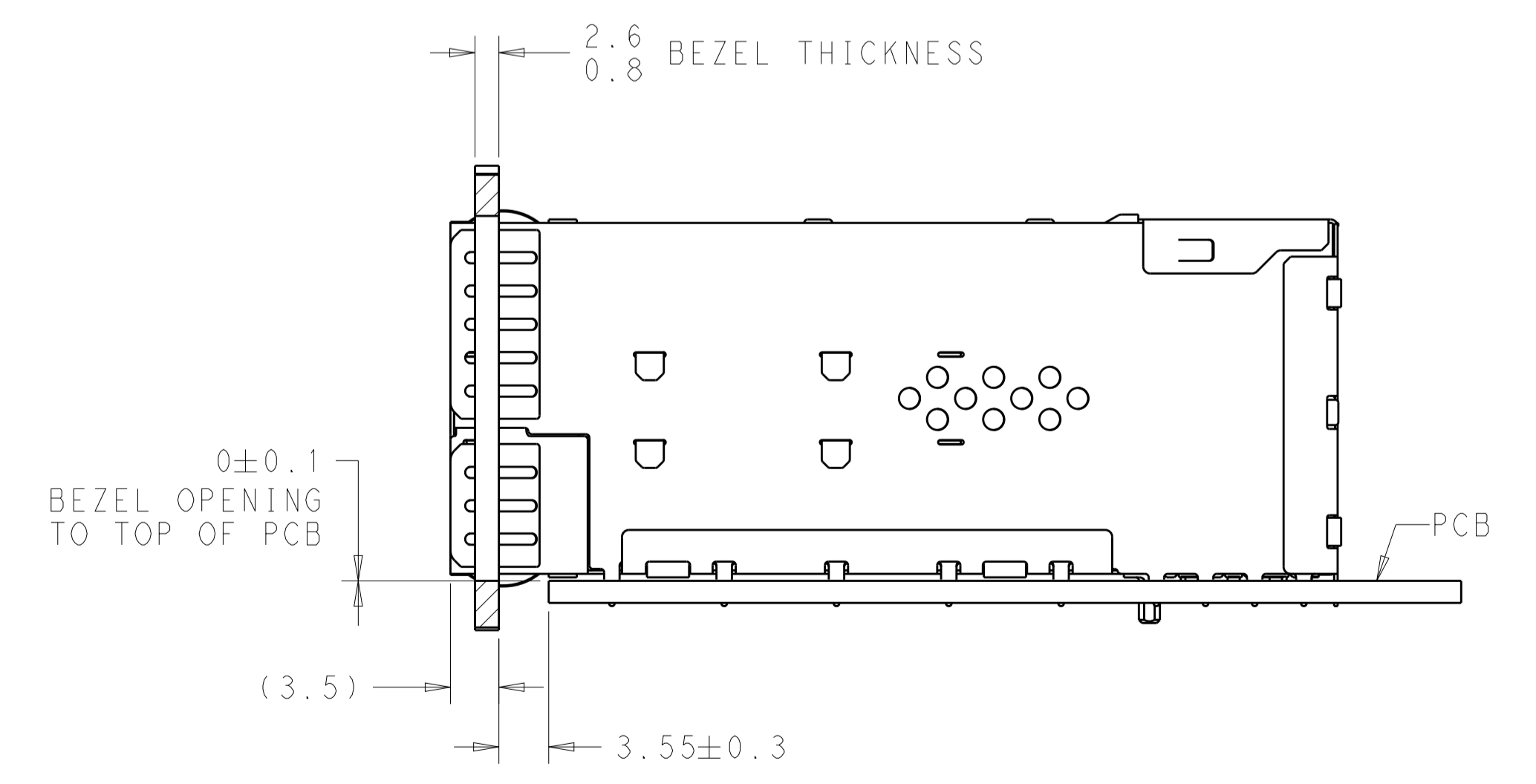
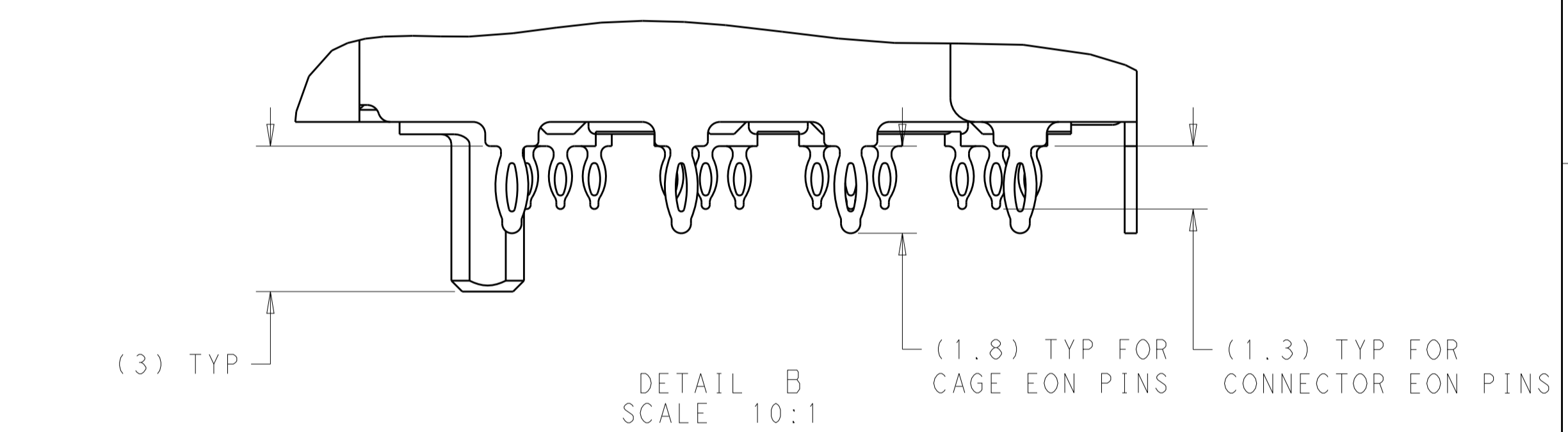
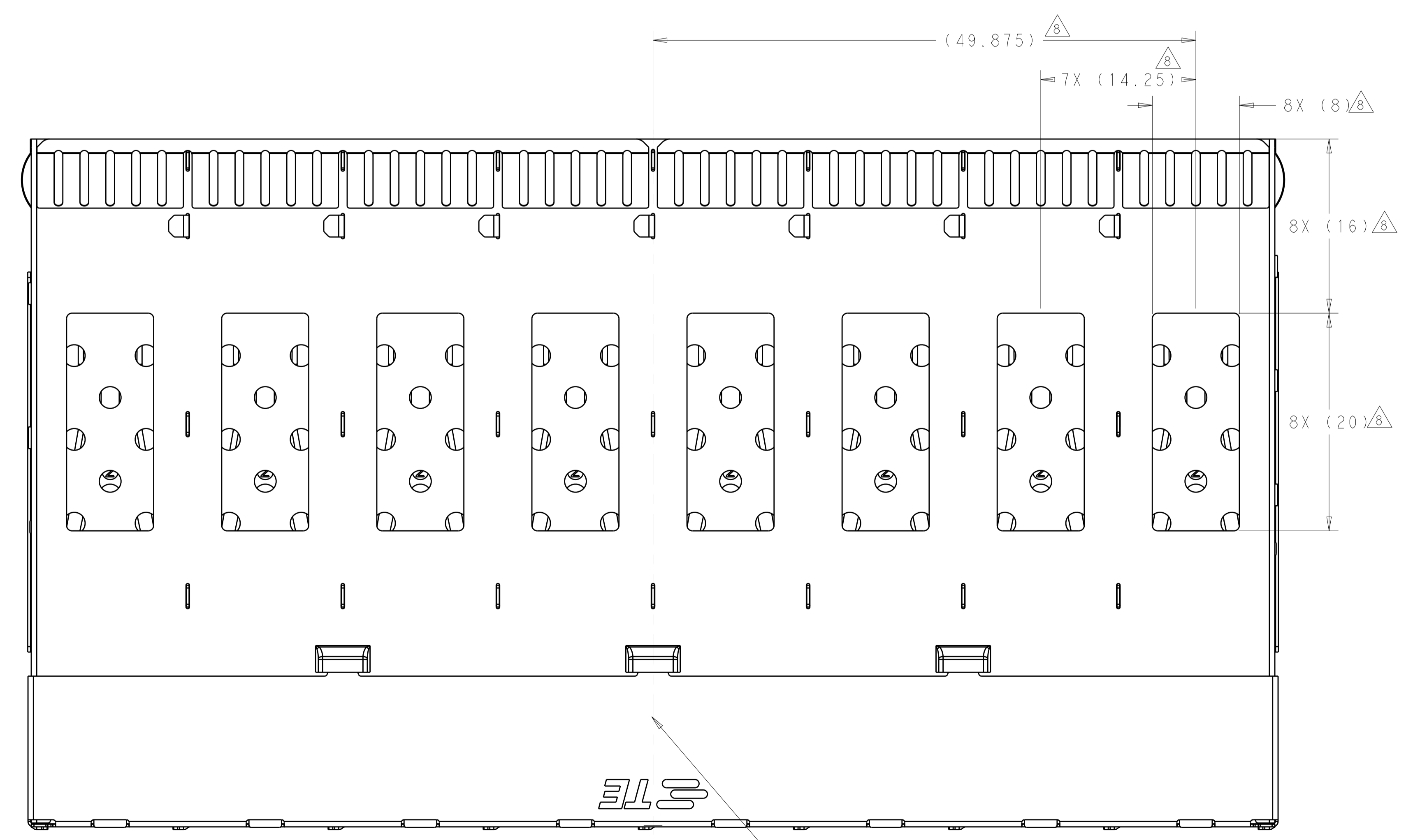
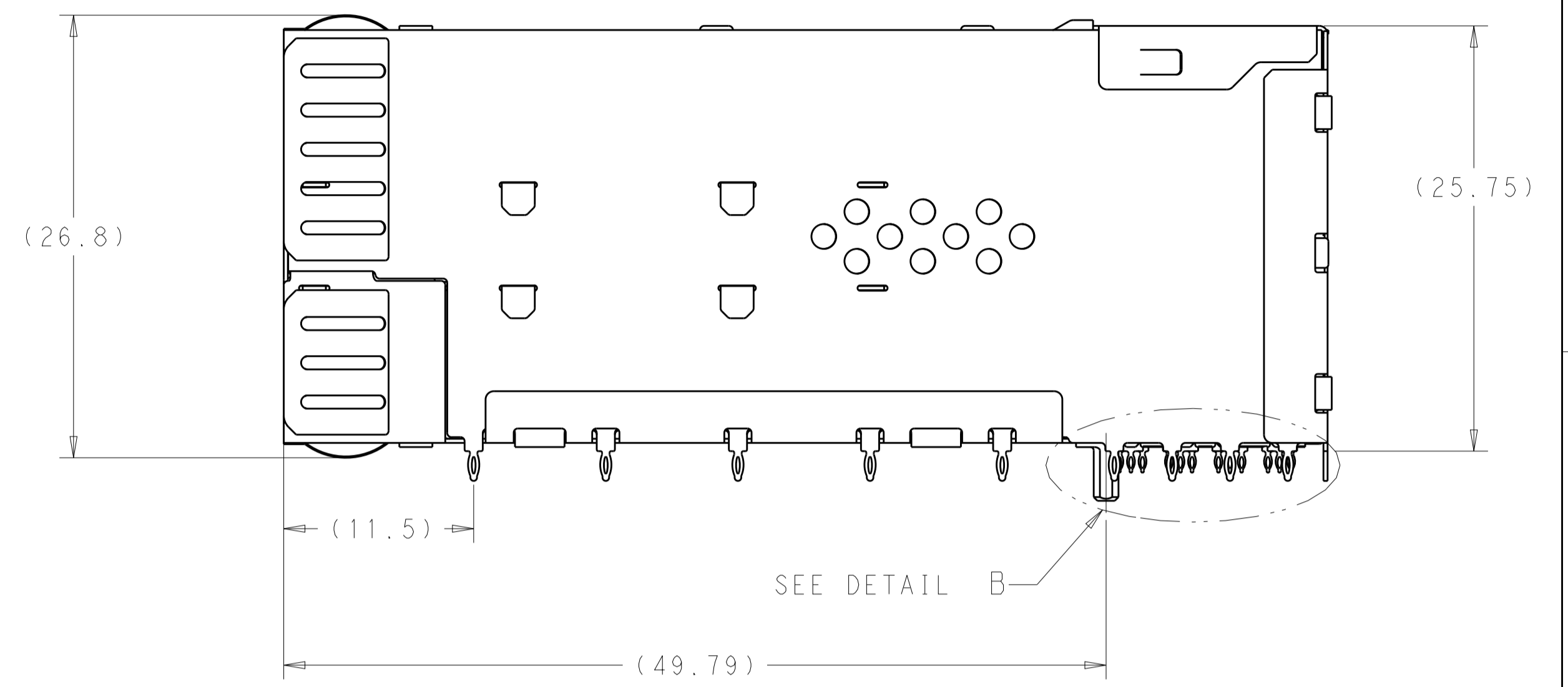
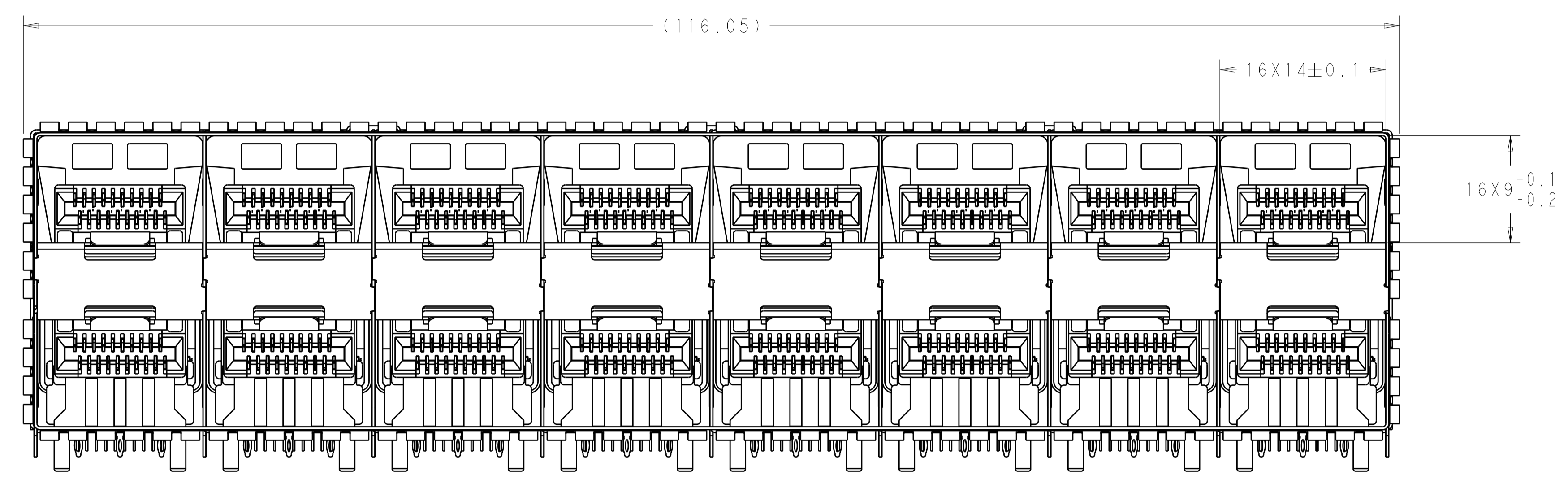


SCALE 2:1

THIS DRAWING IS A CONTROLLED DOCUMENT.		DWN J. WANG 26 JUL 2018	TE Connectivity
DIMENSIONS:		CHK S. HAN 26 JUL 2018	
mm	TOLERANCES UNLESS OTHERWISE SPECIFIED:	APVD S. HAN 26 JUL 2018	NAME RECEPTACLE ASSEMBLY, 2X8, STACKED, SFP56
	0 PLC ±0.25 1 PLC ±0.25 2 PLC ±0.25 3 PLC ±0.25 4 PLC ±0.25 ANGLES ±°	PRODUCT SPEC 108-2481	SIZE A1
MATERIAL SEE NOTES	FINISH SEE NOTES	APPLICATION SPEC 114-13319	CAGE CODE DRAWING NO 00779C=2340033
		WEIGHT -	RESTRICTED TO -
		CUSTOMER DRAWING	SCALE 3:1 SHEET 3 OF 7 REV B

LOC		DIST		REVISIONS			
GP	00	P	LTN	DESCRIPTION	DATE	DMN	APVD
		-		SEE SHEET 1			

SPRING VERSION DIMENSIONS AND SPEC



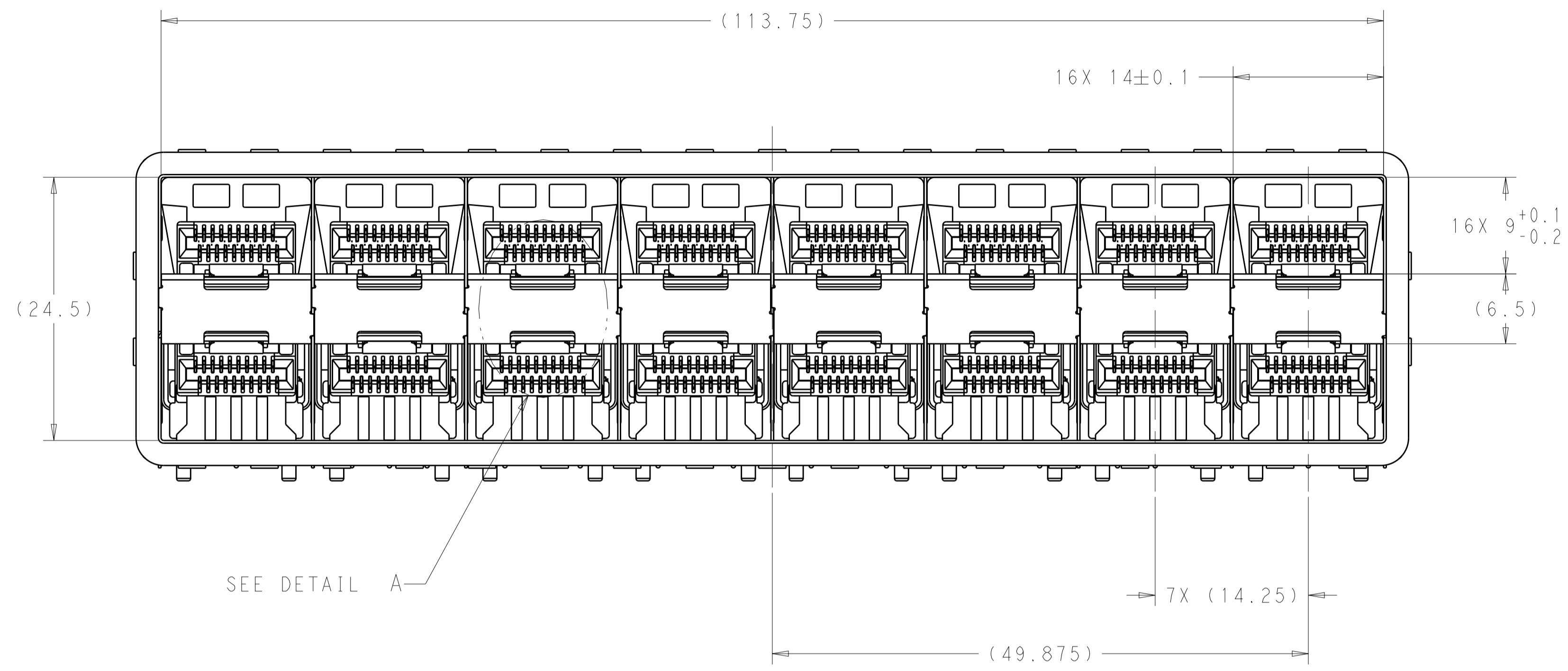
RECOMMENDED BEZEL LOCATION WITH EMI SPRINGS  
SCALE 5:2

LASER MARK DATE CODE AND PART NUMBER IN APPROXIMATE LOCATION SHOWN

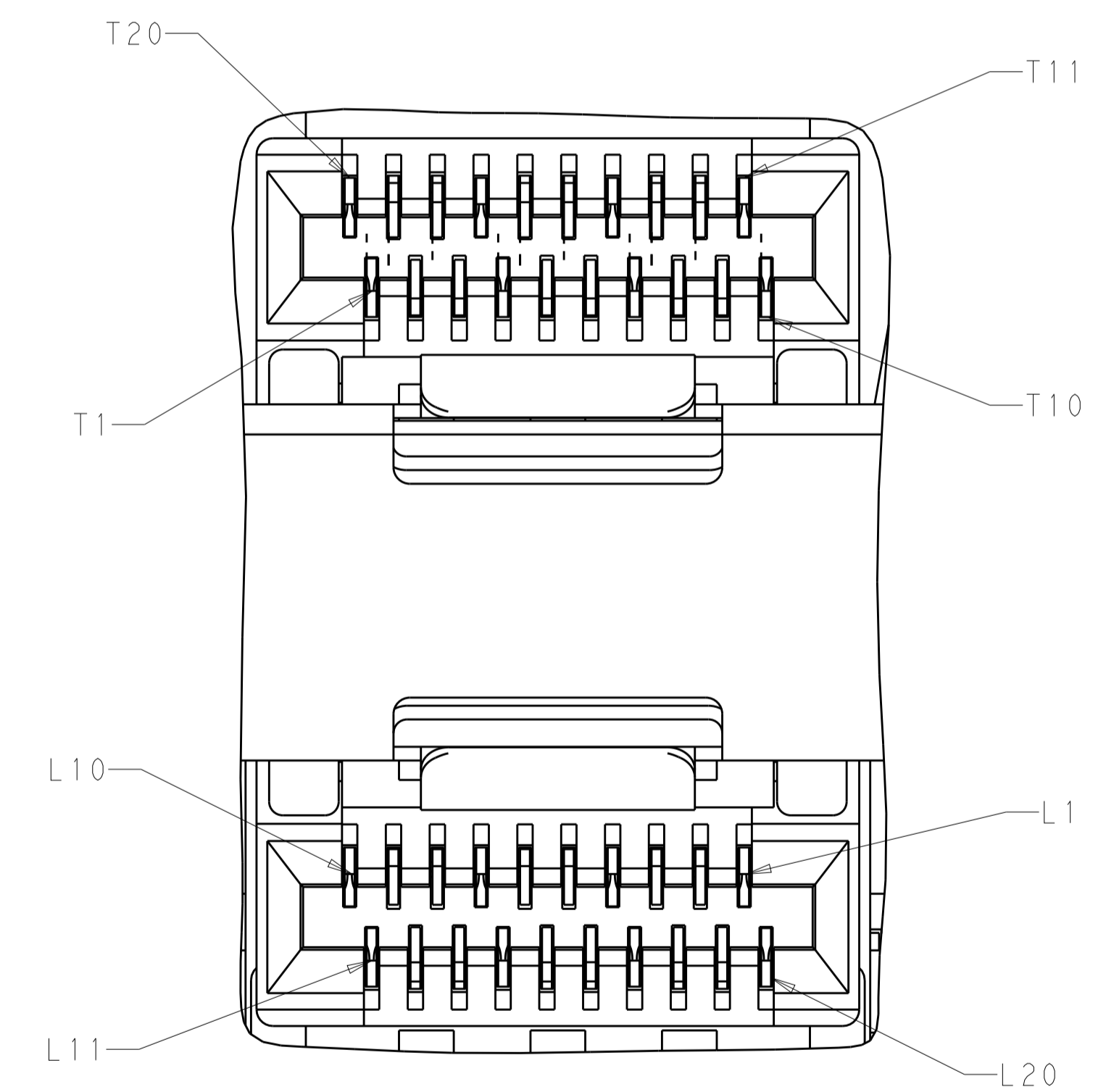
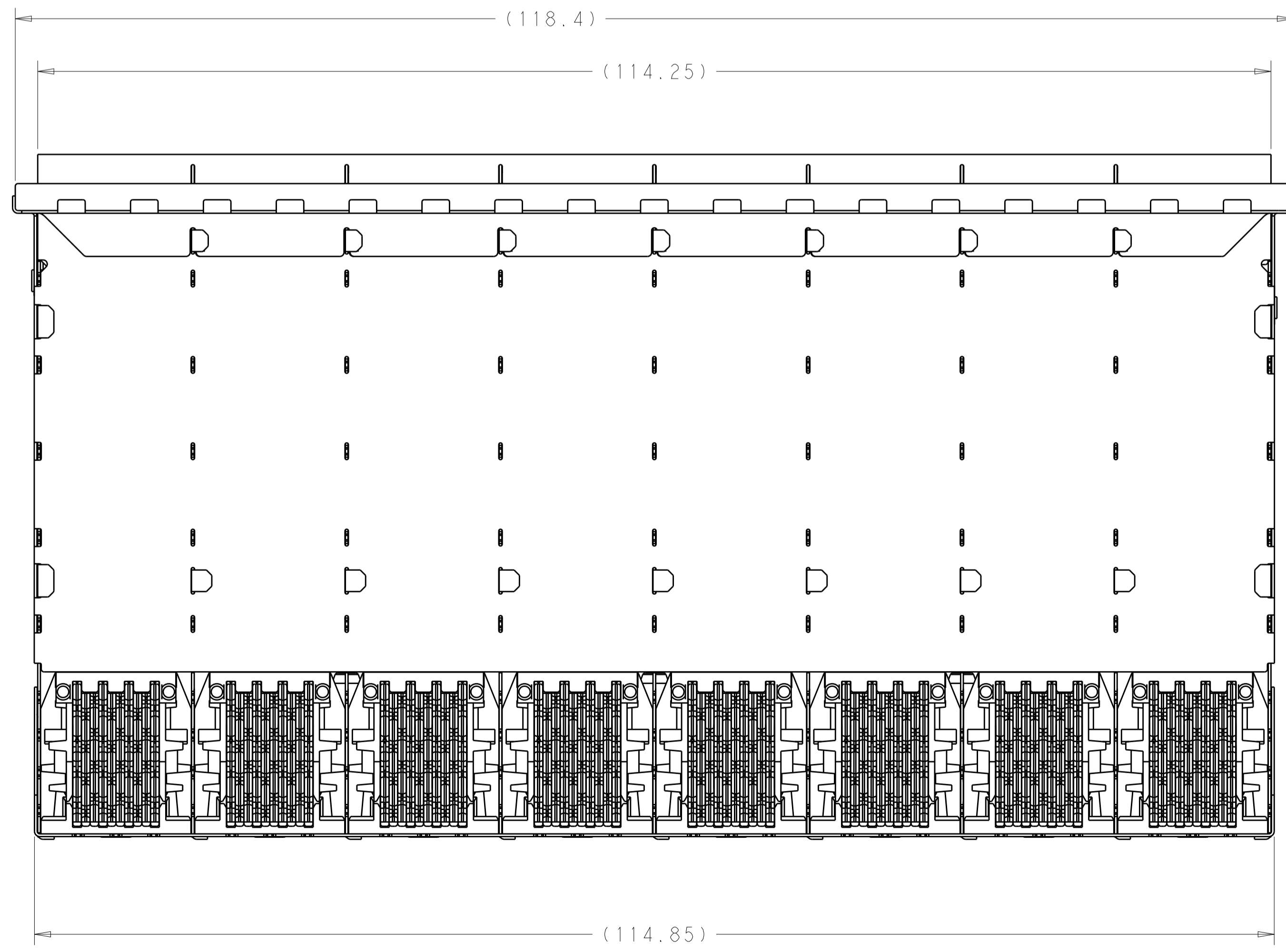
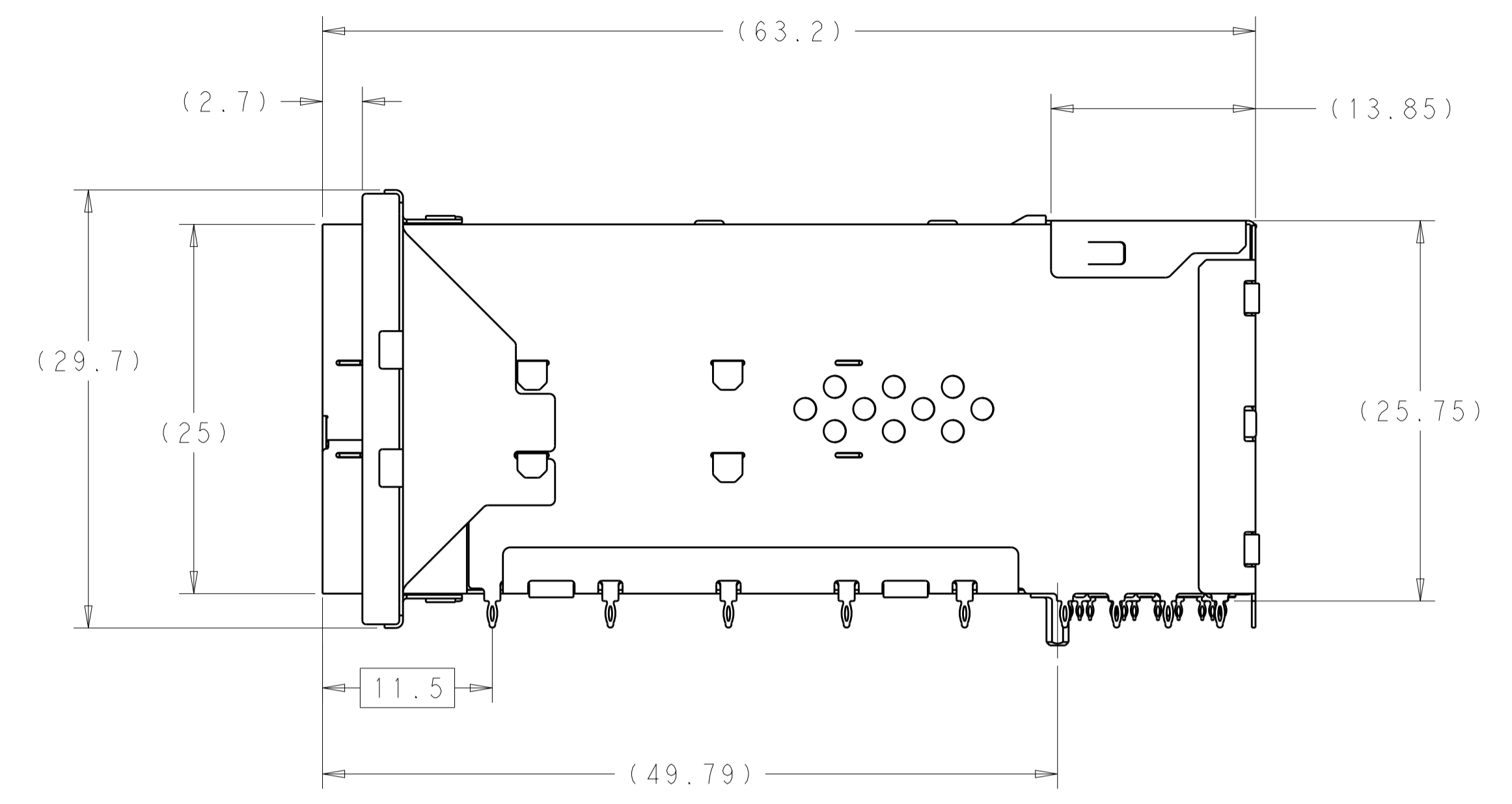
THIS DRAWING IS A CONTROLLED DOCUMENT.		DMN: J. WANG 26 JUL 2018	TE Connectivity
DIMENSIONS: mm		CHK: S. HAN 26 JUL 2018	
TOLERANCES UNLESS OTHERWISE SPECIFIED:		APVD: S. HAN 26 JUL 2018	NAME: RECEPTACLE ASSEMBLY, 2X8, STACKED, SFP56
0 PLC ±0.25		PRODUCT SPEC: 108-2481	
1 PLC ±0.25		APPLICATION SPEC: 114-13319	SIZE: A1 CAGE CODE: 2340033 DRAWING NO: 100779
2 PLC ±0.25		RESTRICTED TO: -	
3 PLC ±0.25		WEIGHT: -	SCALE: 3:1 SHEET: 4 OF 7 REV: B
4 PLC ±0.25		CUSTOMER DRAWING	
ANGLES: ±°			
FINISH: SEE NOTES			

LOC	DIST	REVISIONS			
GP	00	REV	DATE	BY	APPV
-	-	SEE SHEET 1	-	-	-

GASKET VERSION DIMENSIONS AND SPEC



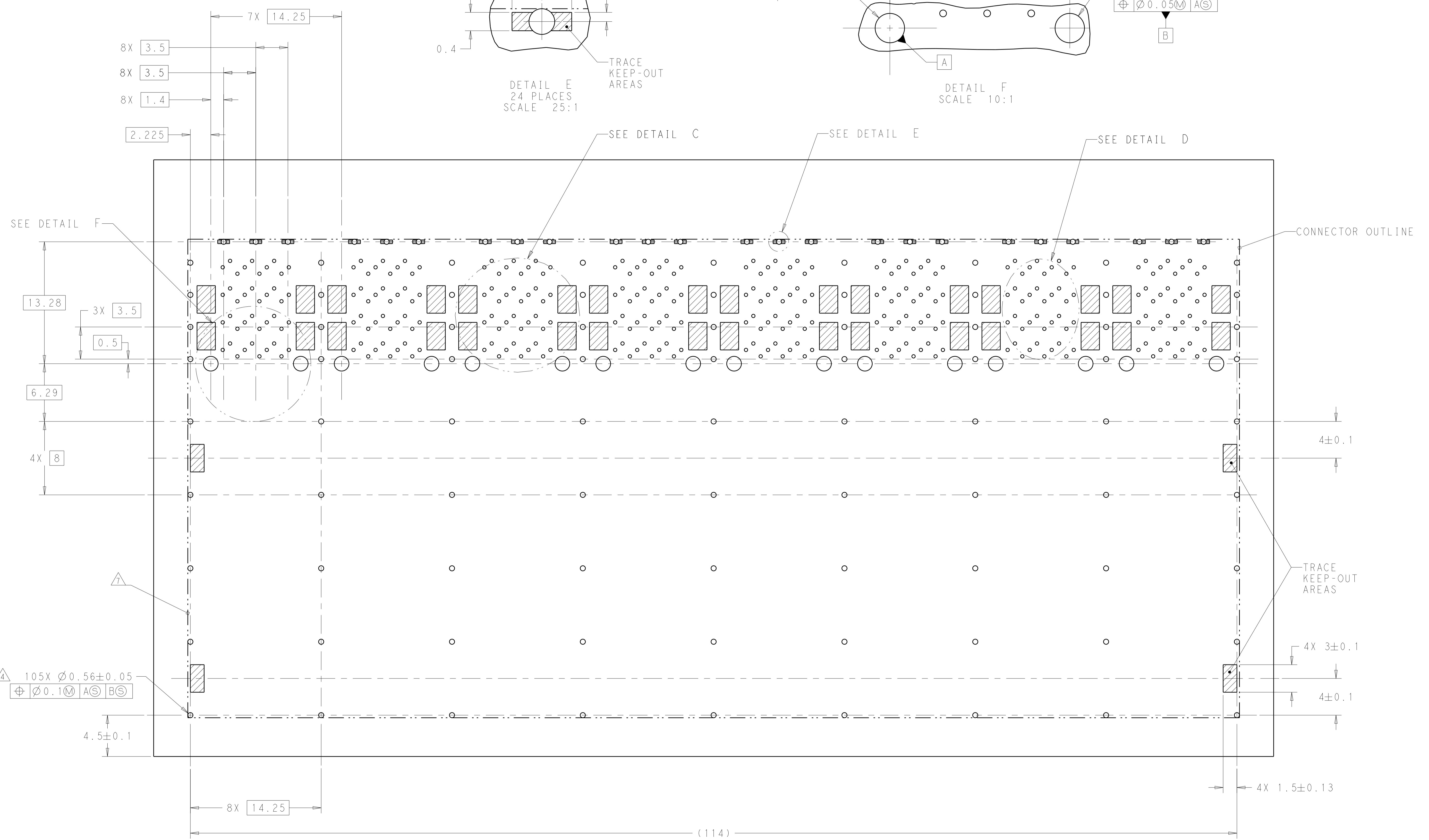
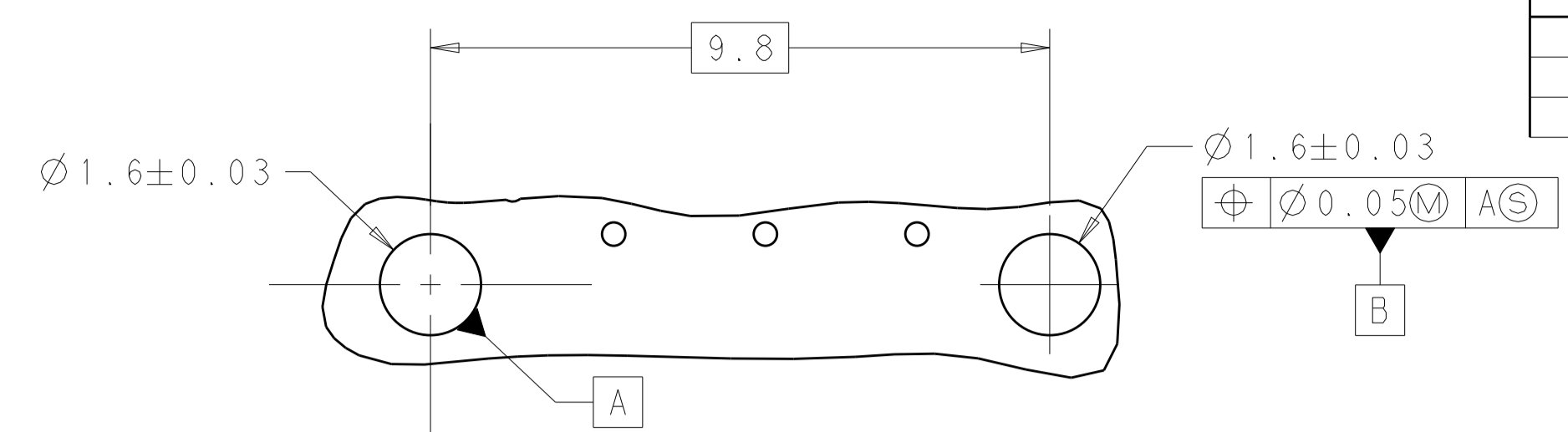
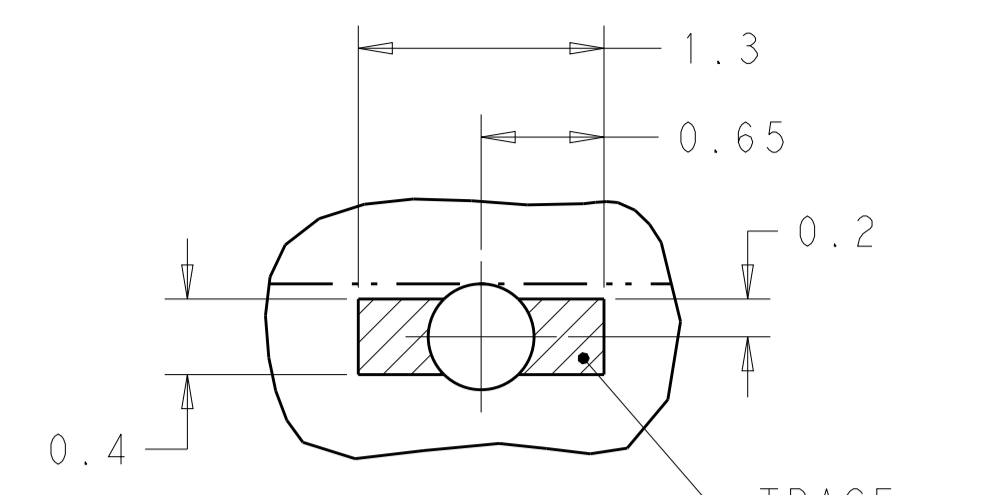
SEE DETAIL A



DETAIL A  
 8X INDIVIDUALLY  
 STACKED, SFP56  
 SCALE 10:1

THIS DRAWING IS A CONTROLLED DOCUMENT.		OWN J. WANG 26 JUL 2018	TE Connectivity
DIMENSIONS: mm		CHK S. HAN 26 JUL 2018	
TOLERANCES UNLESS OTHERWISE SPECIFIED:		APVD S. HAN 26 JUL 2018	NAME RECEPTACLE ASSEMBLY, 2X8, STACKED, SFP56
0 PLC ±0.25 1 PLC ±0.25 2 PLC ±0.25 3 PLC ±0.25 4 PLC ±0.25 ANGLES ±°		PRODUCT SPEC 108-2481	SIZE A100779
MATERIAL SEE NOTES		APPLICATION SPEC 114-13319	CAGE CODE C=2340033
FINISH SEE NOTES		WEIGHT -	RESTRICTED TO -
CUSTOMER DRAWING		SCALE 3:1	SHEET 5 of 7
		REV B	

LOC	DIST	REVISIONS			
P	LTN	DESCRIPTION	DATE	DMN	APVD
GP	00	SEE SHEET 1	-	-	-



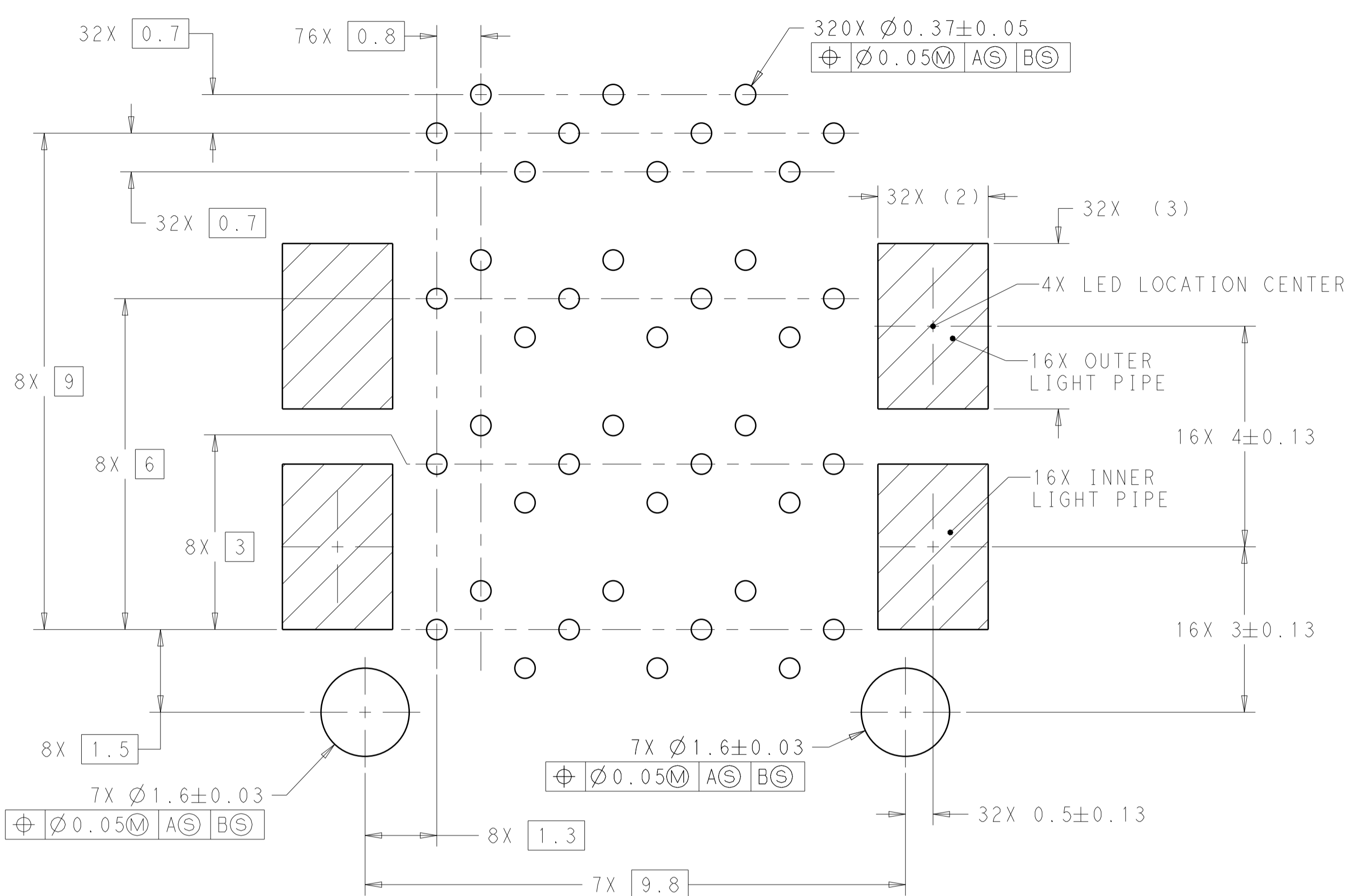
RECOMMENDED PCB LAYOUT  
SCALE 5:1

THIS DRAWING IS A CONTROLLED DOCUMENT.		DMN J. WANG 26 JUL 2018	TE Connectivity
DIMENSIONS: mm		CHK S. HAN 26 JUL 2018	
TOLERANCES UNLESS OTHERWISE SPECIFIED:		APVD S. HAN 26 JUL 2018	NAME RECEPTACLE ASSEMBLY, 2X8, STACKED, SFP56
0 PLC ±0.25 1 PLC ±0.25 2 PLC ±0.25 3 PLC ±0.25 4 PLC ±0.25 ANGLES ±°		PRODUCT SPEC 108-2481	SIZE A1
MATERIAL SEE NOTES		APPLICATION SPEC 114-13319	CAGE CODE 2340033
FINISH SEE NOTES		WEIGHT	RESTRICTED TO
CUSTOMER DRAWING		SCALE 3:1	SHEET 6 OF 7
		REV B	

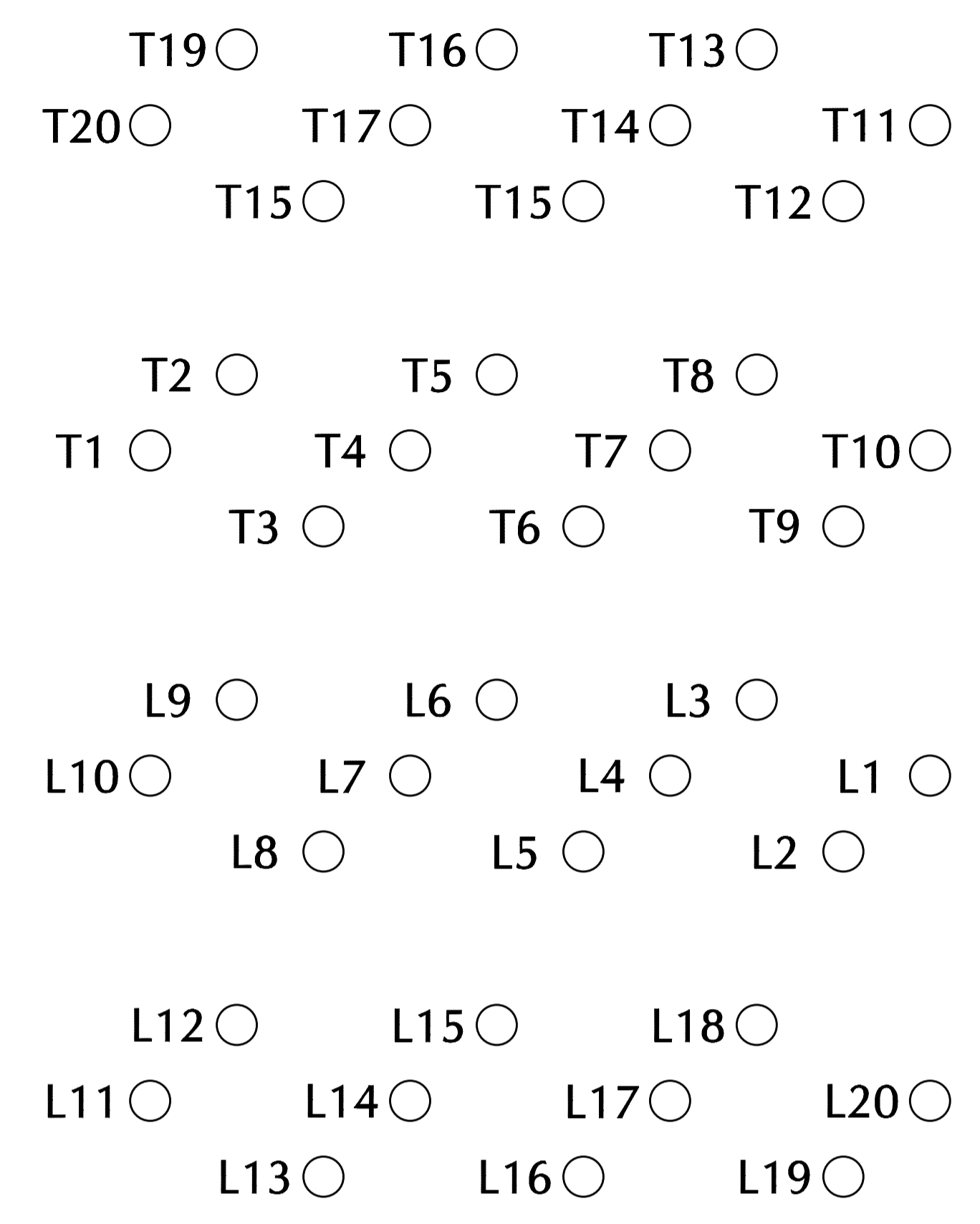
LOC	DIST	REV	DATE	BY	APPD
GP	00				

REVISIONS			
NO.	DESCRIPTION	DATE	BY
-	SEE SHEET 1	-	-

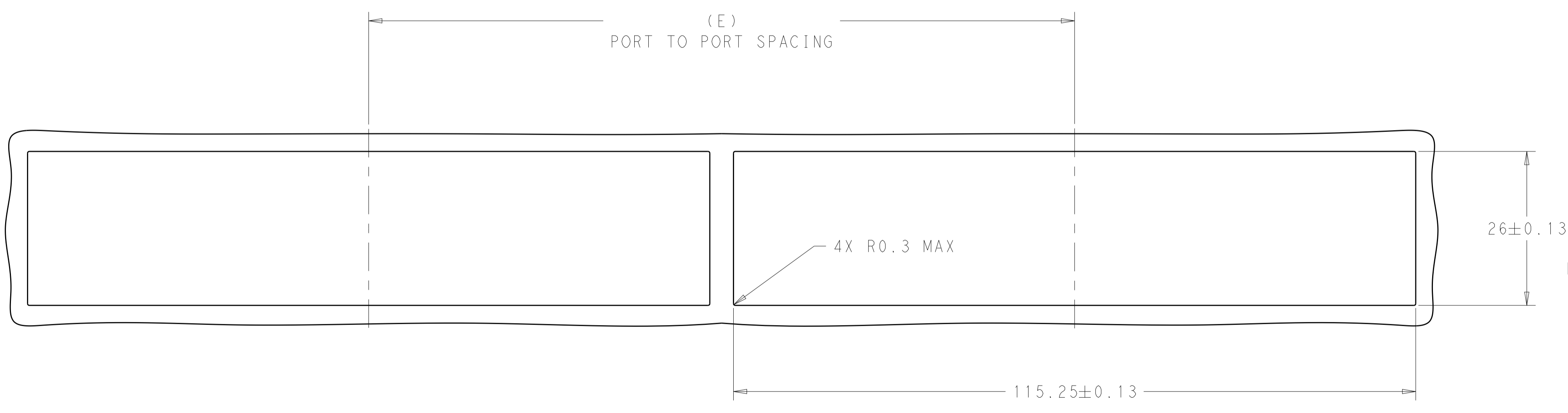


DETAIL C  
 RECOMMENDED PIN AND LIGHT PIPE LAYOUT  
 SCALE 15:1

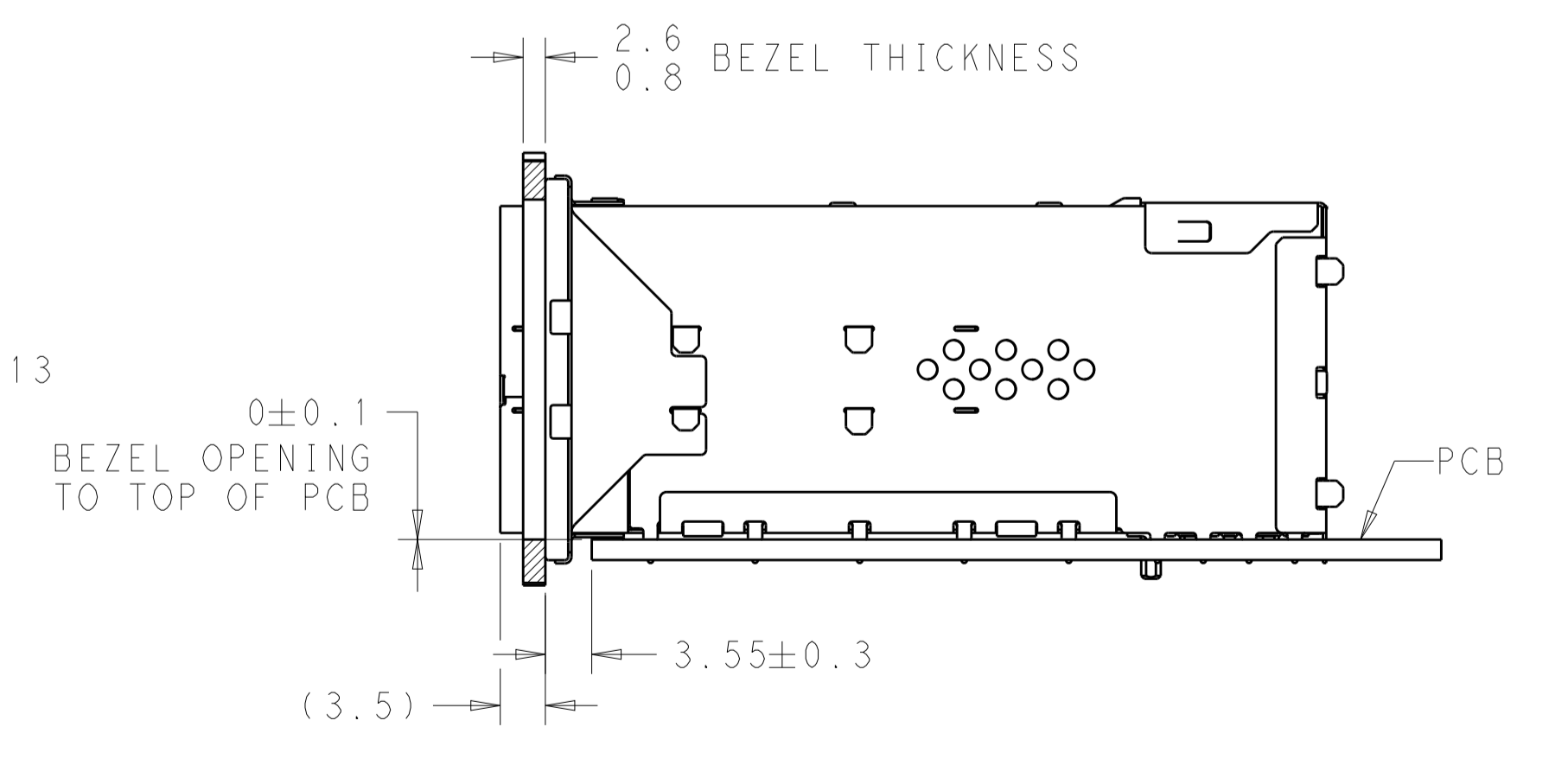


PIN MAP LEGEND	
PIN NUMBER	FUNCTION
L1/T1	VEET
L2/T2	TX-FAULT
L3/T3	TX-DISABLE
L4/T4	SDA
L5/T5	SCL
L6/T6	MOD_ABS
L7/T7	RSO
L8/T8	RX_LOS
L9/T9	RS1
L10/T10	VEER
L11/T11	VEER
L12/T12	RD-
L13/T13	RD+
L14/T14	VEER
L15/T15	VCCR
L16/T16	VCCT
L17/T17	VEET
L18/T18	TD+
L19/T19	TD-
L20/T20	VEET

DETAIL D  
 PIN MAP  
 8X PLACES  
 SCALE 20:1



RECOMMENDED BEZEL CUT-OUT DETAIL  
 SCALE 2:1



RECOMMENDED BEZEL LOCATION WITH EMI GASKET  
 SCALE 2:1

THIS DRAWING IS A CONTROLLED DOCUMENT.		OWN: J. WANG 26 JUL 2018	TE Connectivity
DIMENSIONS: mm		CHK: S. HAN 26 JUL 2018	
TOLERANCES UNLESS OTHERWISE SPECIFIED:		APPD: S. HAN 26 JUL 2018	NAME: RECEPTACLE ASSEMBLY, 2X8, STACKED, SFP56
0 PLC ±0.25		PRODUCT SPEC: 108-2481	
1 PLC ±0.25		APPLICATION SPEC: 114-13319	SIZE: A1 CAGE CODE: 00779 DRAWING NO: 2340033
2 PLC ±0.25		WEIGHT: -	
3 PLC ±0.25		CUSTOMER DRAWING	RESTRICTED TO: -
4 PLC ±0.25		SCALE: 3:1	SHEET: 7 OF 7
ANGLES: ±°		REV: B	
FINISH: SEE NOTES			