

REVISIONS

P	LTR	DESCRIPTION	DATE	DWN	APVD
A		PARTS RLEESED FOR PRODUCTION	10JAN2019	RK	PS

NOTES:

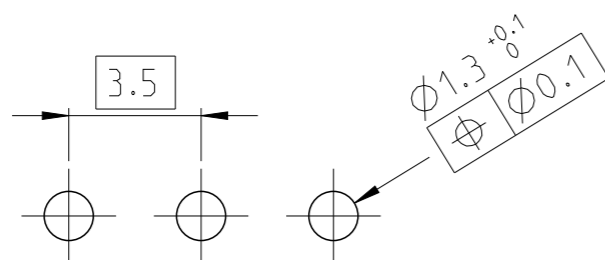
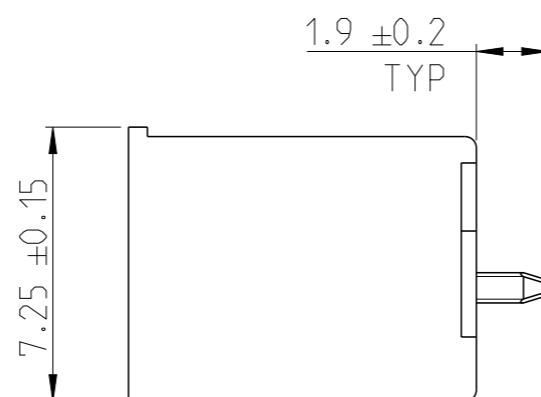
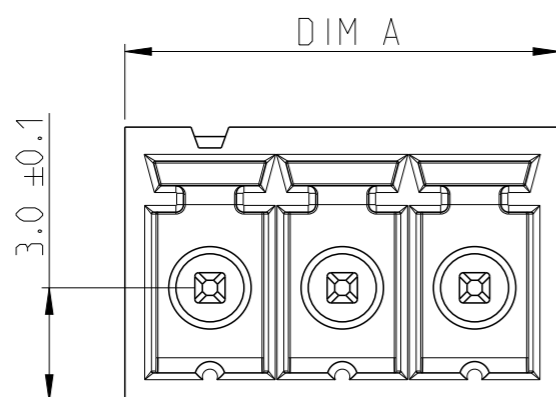
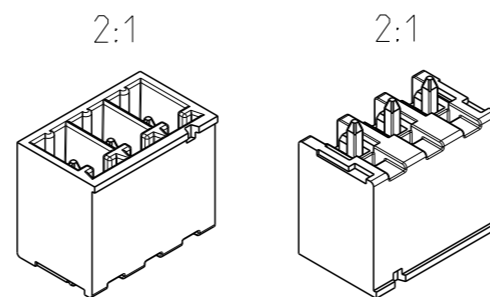
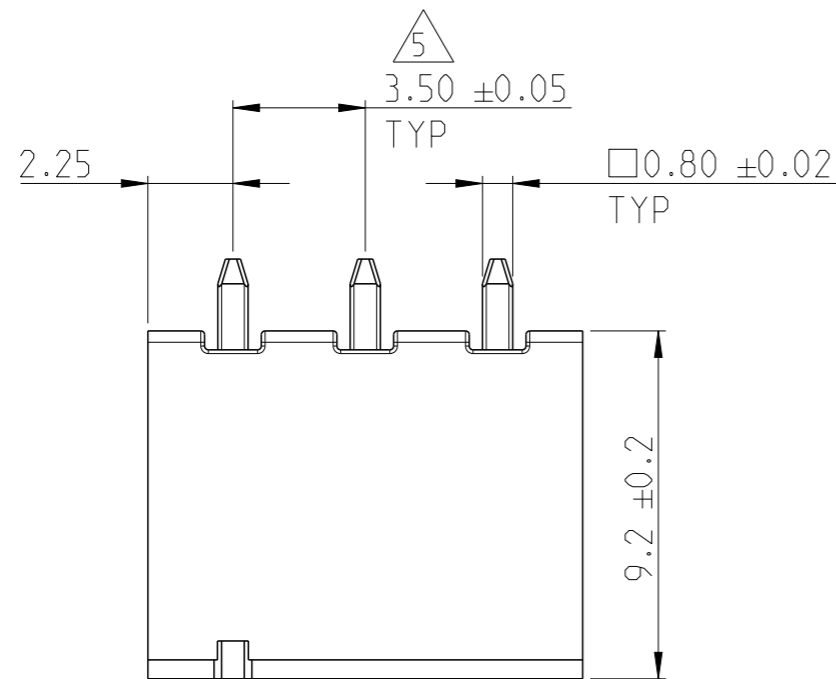
- MATERIAL AND FINISH:
HOUSING : HIGH TEMPERATURE POLYAMIDE, UL94V-0
COLOR BLACK.
TERMINAL : COPPER ALLOY, TIN PLATED.
- MECHANICAL
PLUG MAX. INSERTION FORCE PER POLE : 3.0 N
PLUG MIN. WITHDRAWAL FORCE PER POLE : 1.5 N
MIN. PC BOARD HOLES DIAMETER : 1.3 mm
MAX. PC BOARD THICKNESS : 1.6 mm
- ELECTRICAL
MAX. VOLTAGE : 300 V
MAX CURRENT : 11 A
CONTACT RESISTANCE : <15 m Ohm
INSULATION RESISTANCE : >1000 M Ohm (500V DC)

4. OPERATING TEMPERATURE RANGE : -40°C TO +105°C


△ NOT CUMULATIVE TOLERANCE.

6. PARTS ARE PACKED IN BOX.

88.5	25	2-2342071-5
85.0	24	2-2342071-4
81.5	23	2-2342071-3
78.0	22	2-2342071-2
74.5	21	2-2342071-1
71.0	20	2-2342071-0
67.5	19	1-2342071-9
64.0	18	1-2342071-8
60.5	17	1-2342071-7
57.0	16	1-2342071-6
53.5	15	1-2342071-5
50.0	14	1-2342071-4
46.5	13	1-2342071-3
43.0	12	1-2342071-2
39.5	11	1-2342071-1
36.0	10	1-2342071-0
32.5	9	2342071-9
29.0	8	2342071-8
25.5	7	2342071-7
22.0	6	2342071-6
18.5	5	2342071-5
15.0	4	2342071-4
11.5	3	2342071-3
8.0	2	2342071-2
DIM A	NO. OF POS	PART NUMBER



RECOMMENDED PC BOARD LAYOUT

THIS DRAWING IS A CONTROLLED DOCUMENT.		DWN 14DEC2018 RAGHAVENDRA.K	 TE Connectivity	
DIMENSIONS: mm		CHK 19DEC2018 KARTHIK.JK		
TOLERANCES UNLESS OTHERWISE SPECIFIED:		APVD 19DEC2018 PRASHANTH.S	NAME HEADER STRAIGHT, HIGH TEMPERATURE, 3.5MM PITCH, TAIL LENGTH 1.9mm	
0 PLC ± 1 PLC ±0.3 2 PLC ±0.25 3 PLC ± 4 PLC ± ANGLES ±2°		PRODUCT SPEC	RESTRICTED TO	
MATERIAL SEE NOTES		APPLICATION SPEC	SIZE A3	CAGE CODE 00779
FINISH SEE NOTES		WEIGHT -	DRAWING NO C-2342071	REV A
CUSTOMER DRAWING			SCALE 5:1	SHEET 1 OF 1