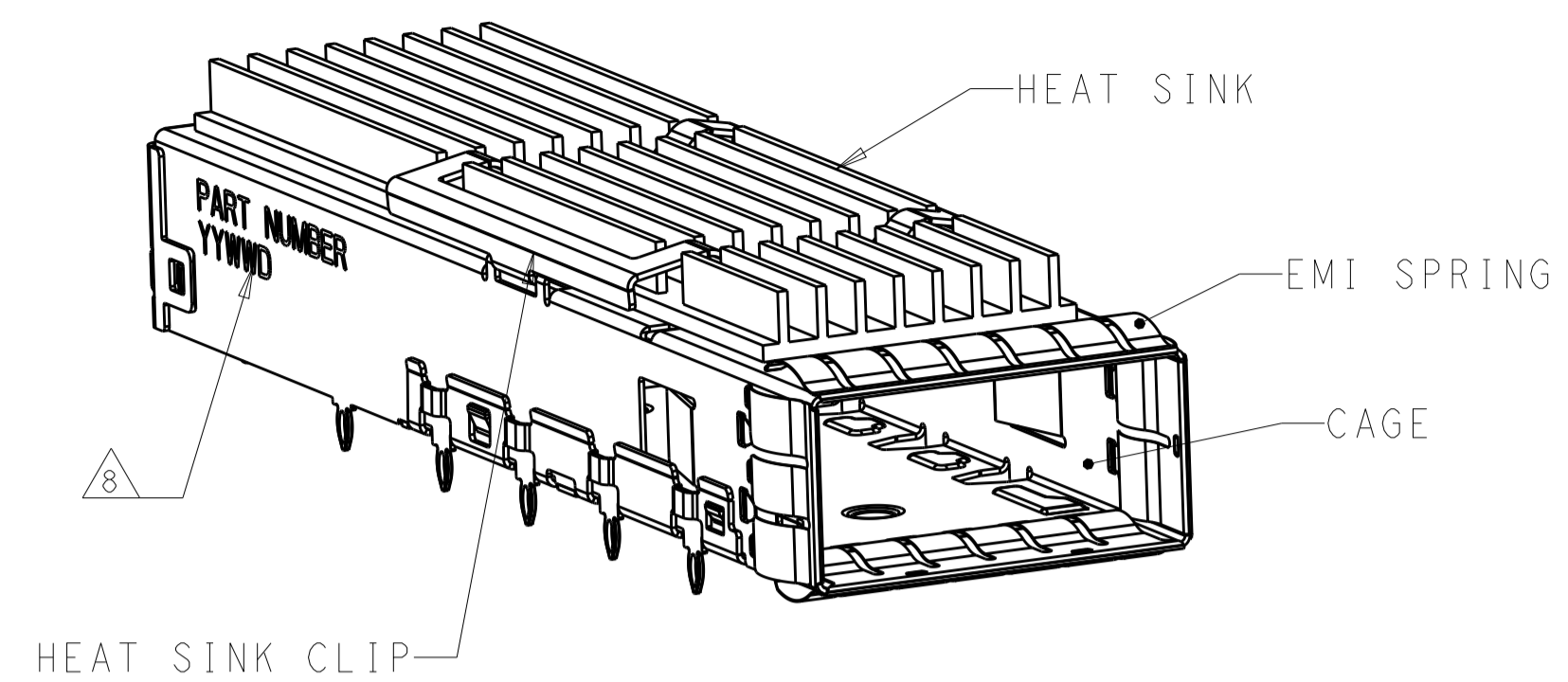
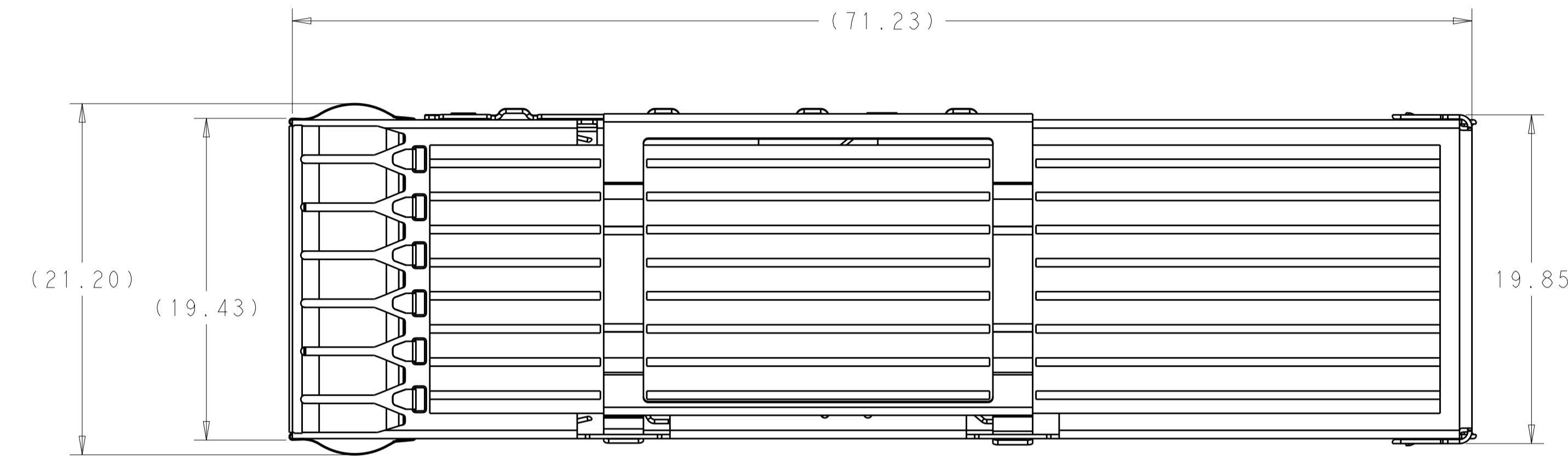


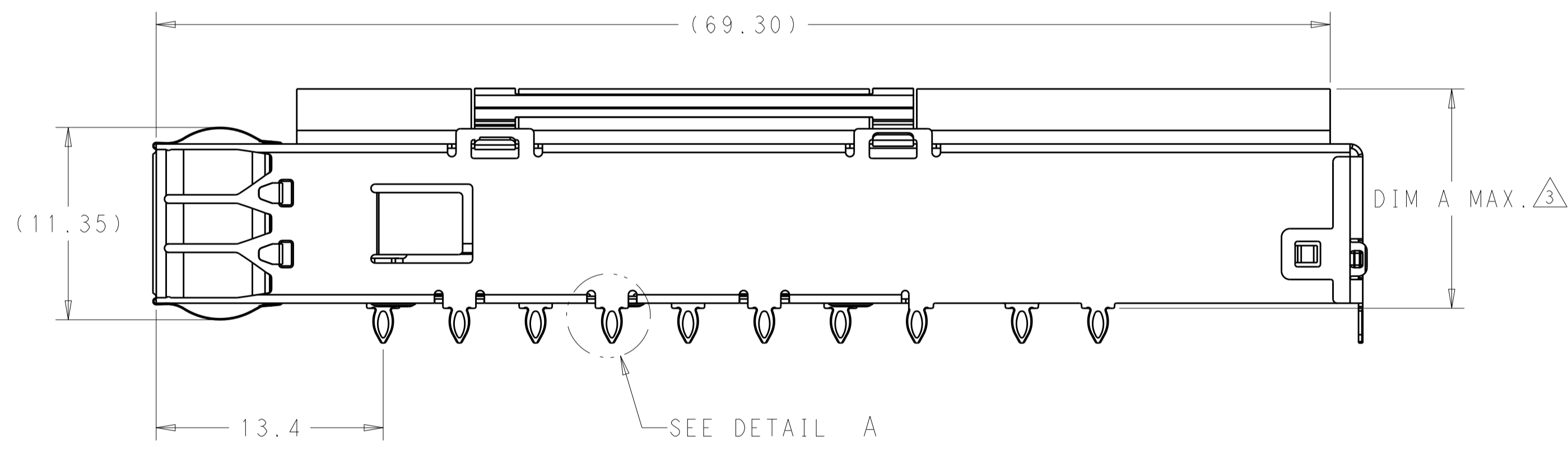
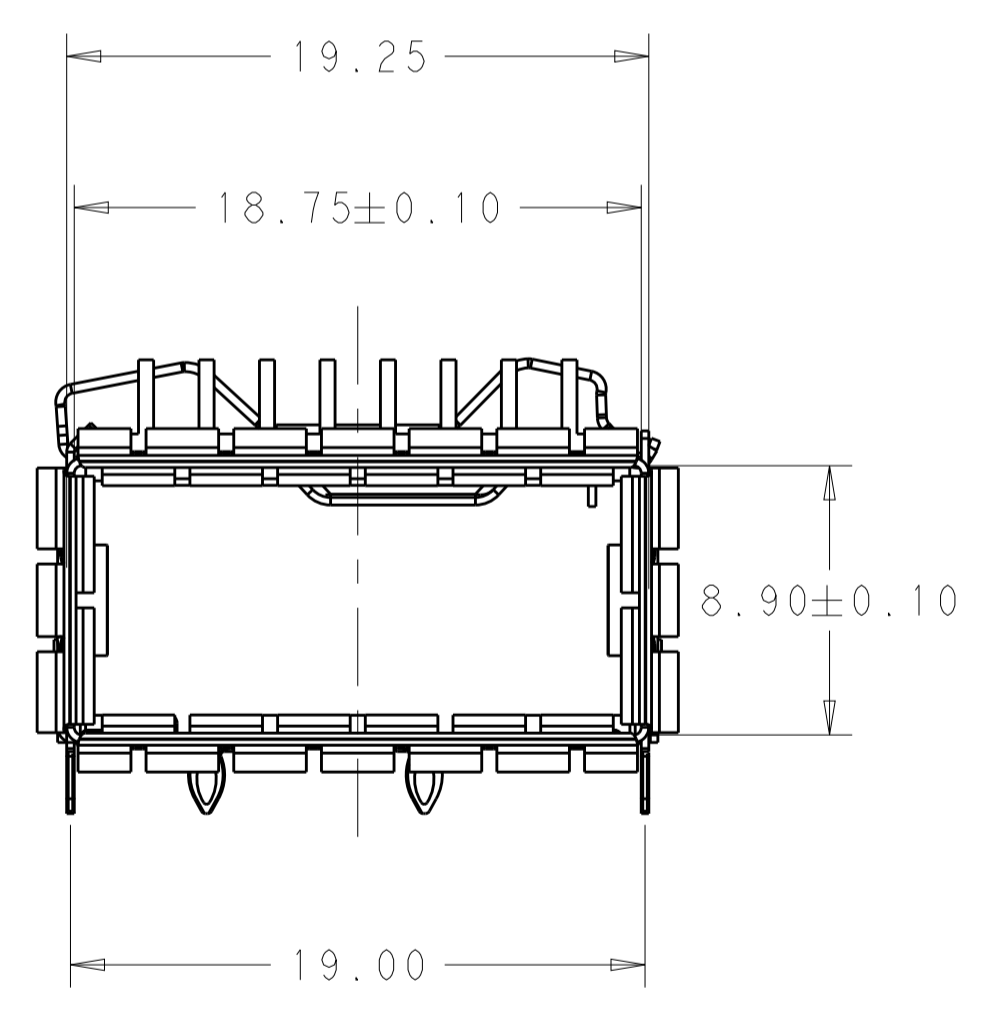
LOC		DIST		REVISIONS			
		P	LTN	DESCRIPTION	DATE	DMN	APVD
		A		INITIAL RELEASE	13JUN2019	AJ	SH



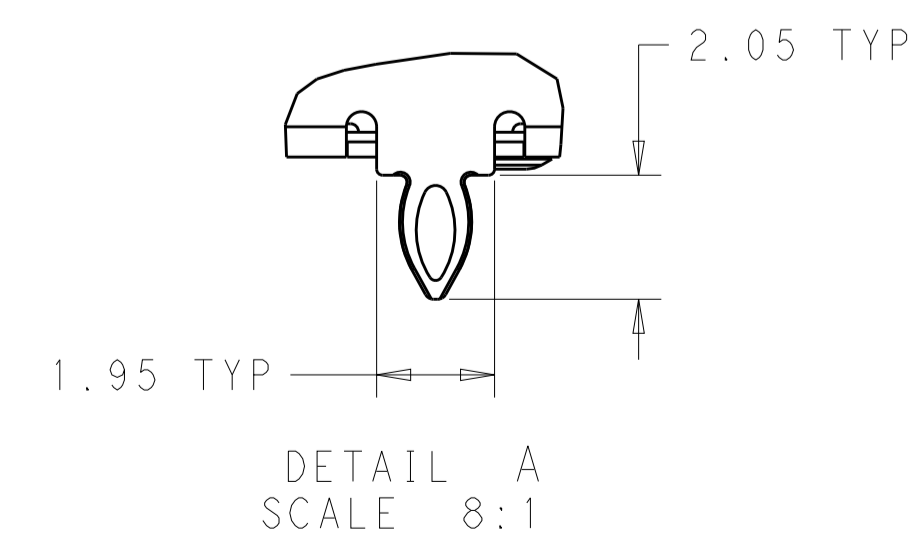
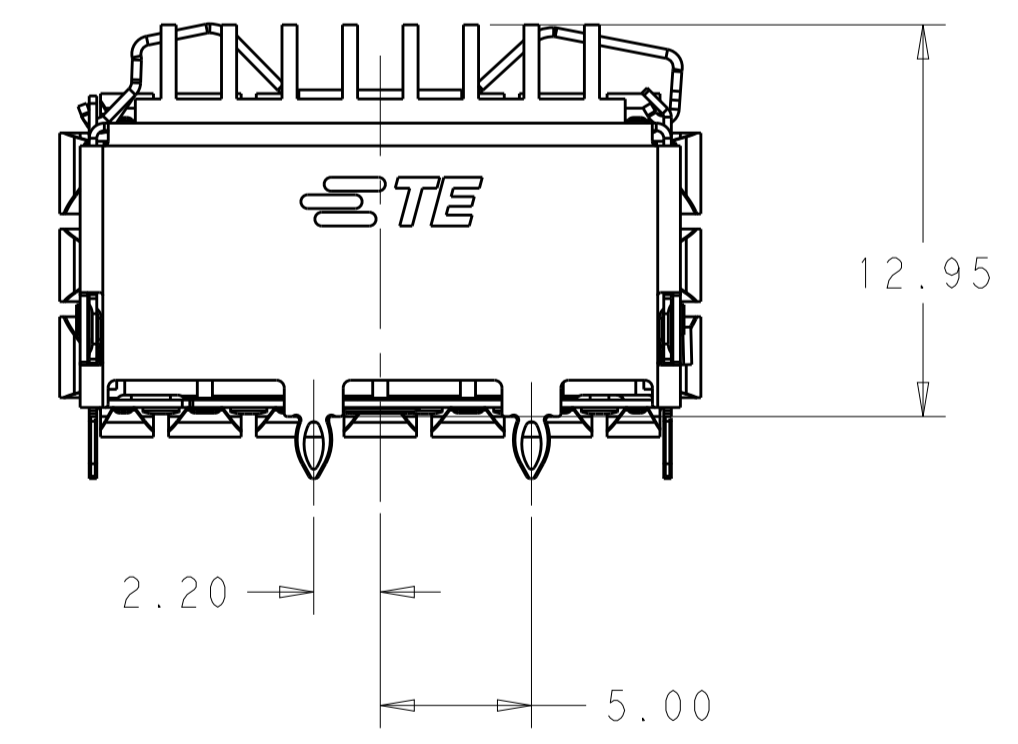
2342933-1 AS SHOWN
SCALE 3:1



1. MATERIAL:
CAGE MATERIAL : 0.25 THICK STAINLESS STEEL.
SPRING MATERIAL: COPPER ALLOY
CLIP MATERIAL: STAINLESS STEEL
HEAT SINK: ALUMINUM
2. FINISH:
SPRING: NICKEL PLATING
HEAT SINK: BLACK ANODIZATION
3. DIMENSION APPLIES WITH MODULE INSTALLED IN THE CAGE TO TOP OF HEAT SINK.
4. REFERENCE APPLICATION SPEC 114-60025 FOR RECOMMENDED DRILL HOLE DIAMETER AND PLATING THICKNESS.
5. DATUM AND BASIC DIMENSIONS ESTABLISHED BY CUSTOMERS.
6. MINIMUM PC BOARD THICKNESS : SINGLES SIDED: 1.57 MIN
DOUBLE SIDED: 3.00 MIN
7. DATUM **-A-** IS TOP SURFACE OF THE HOST BOARD.
8. DATE CODE (YYWWD) MARKED APPROXIMATELY AS SHOWN
9. MATES WITH QSFP DD MSA COMPATIBLE TRANSCEIVER.



2342933-1 AS SHOWN
SCALE 4:1

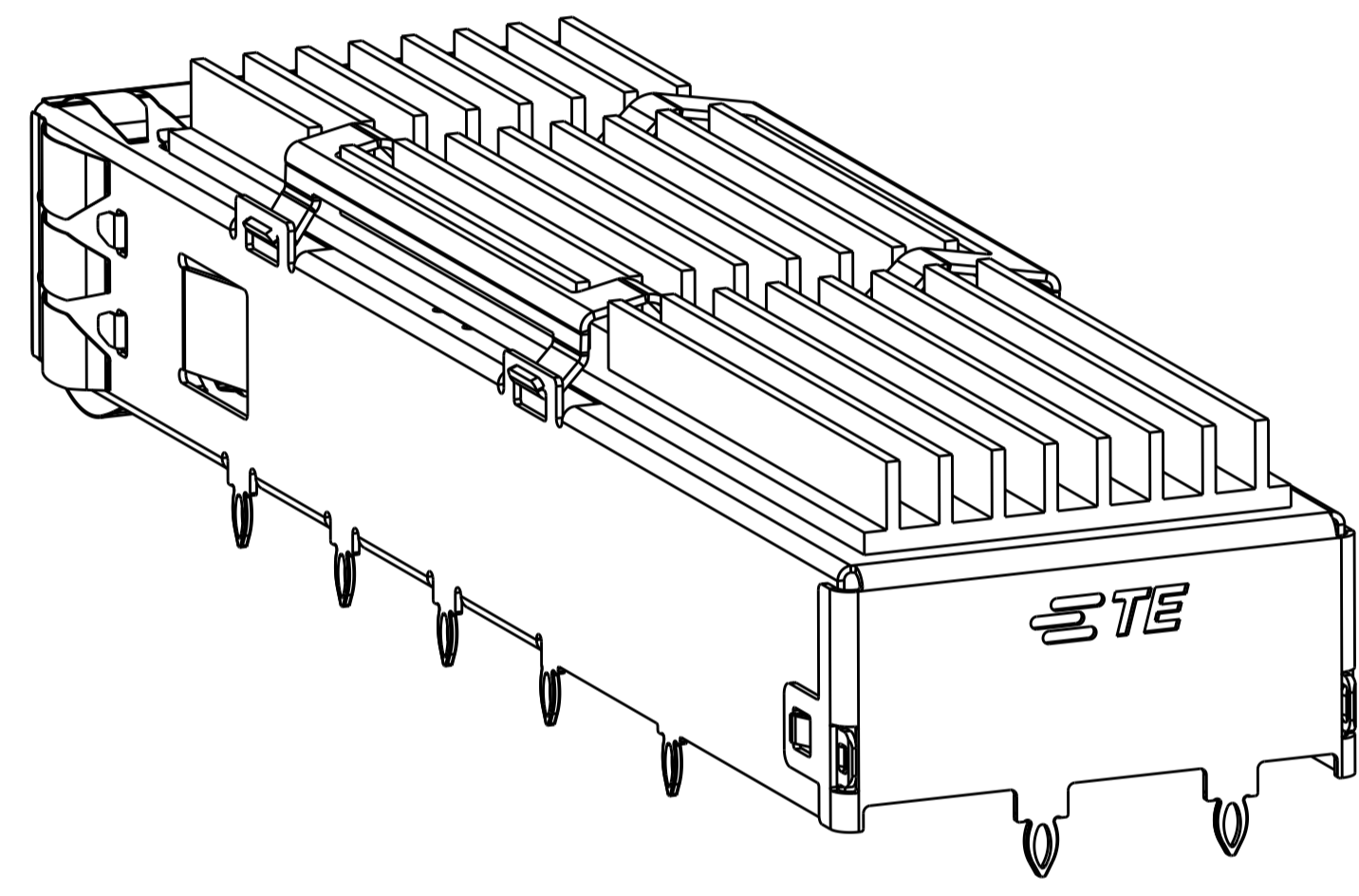


DETAIL A
SCALE 8:1

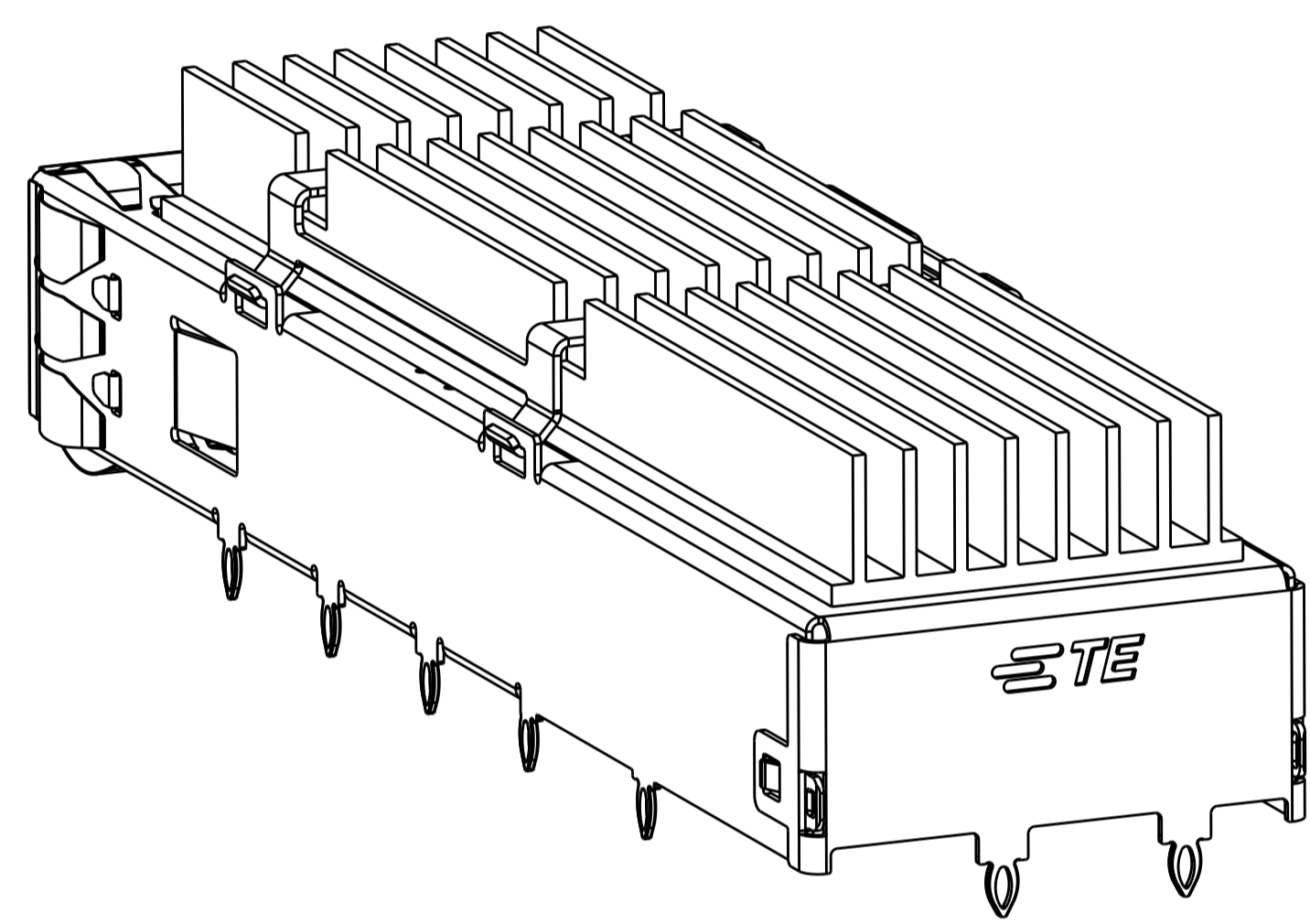
23.00	2	NETWORKING	2342933-3
16.00	2	SAN	2342933-2
13.70	2	PCI	2342933-1
DIM A	# REAR PINS	APPLICATION (HEAT SINK OPTION)	PART NUMBER

DIMENSIONS:		TOLERANCES UNLESS OTHERWISE SPECIFIED:		APPROVED		DATE		NAME	
mm	0 PLC	±0.25		DMN	ARTHUR JIN	29AUG2018		NAME	CAGE ASSEMBLY, QSFP-DD STANDARD WITH EMI SPRING FINGER
	1 PLC	±0.25		CHK	SEAN HAN	29AUG2018		PRODUCT SPEC	108-60122
	2 PLC	±0.20		APVD	SEAN HAN	29AUG2018		APPLICATION SPEC	114-60025
	3 PLC	±0.10						SIZE	A1
	4 PLC	±						CAGE CODE	2342933
	ANGLES	±						DRAWING NO	2342933
MATERIAL	FINISH			WEIGHT				RESTRICTED TO	
								SCALE	2:1
				CUSTOMER DRAWING				SHEET	1 OF 5
								REV	A

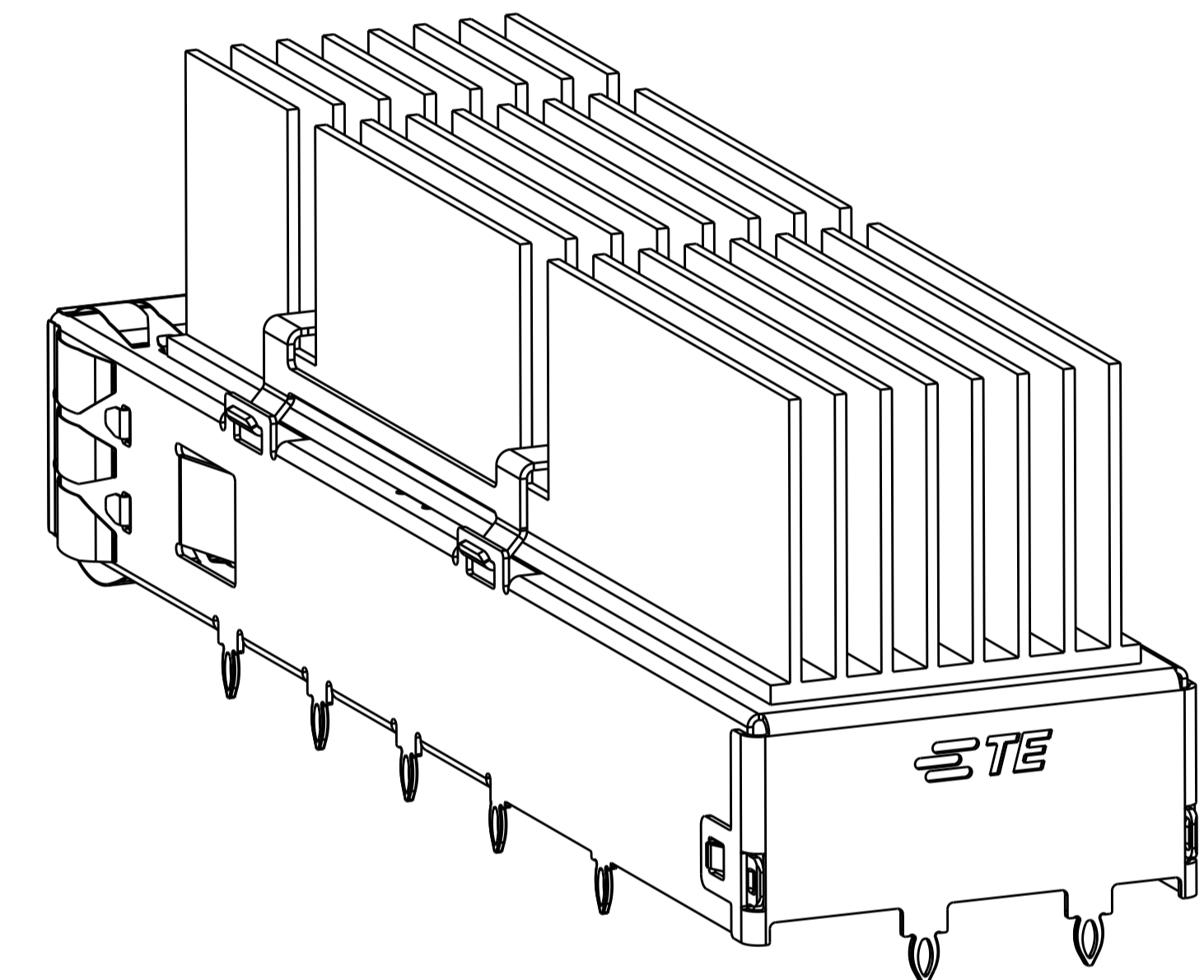
LOC		DIST		REVISIONS			
				REV	DATE	BY	APPD
-	-	-	-	-	-	-	-
-	-	-	-	-	SEE SHEET 1	-	-
-	-	-	-	-	-	-	-
-	-	-	-	-	-	-	-



2342933-1 AS SHOWN
 WITH PCI HEAT SINK
 SCALE 4:1



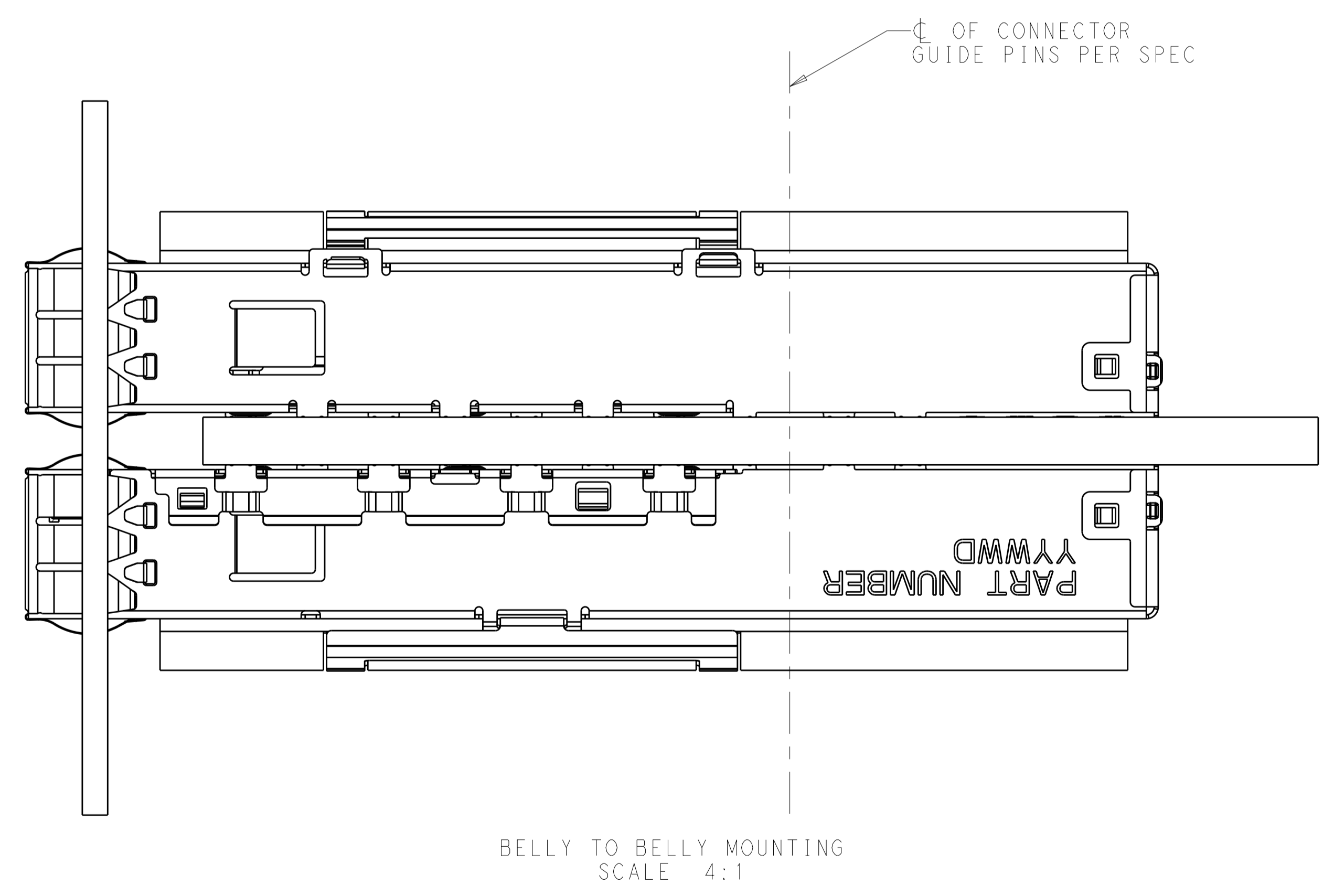
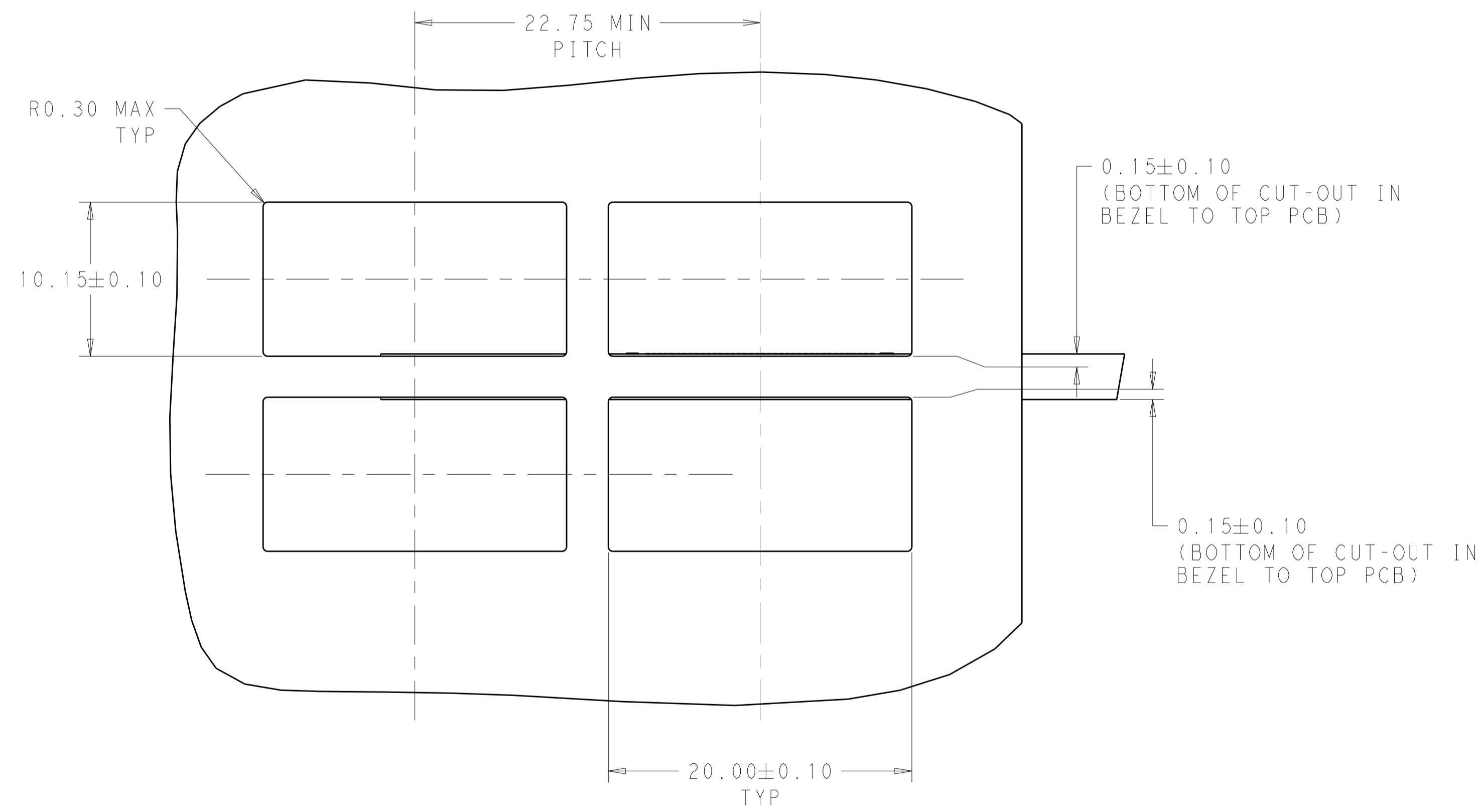
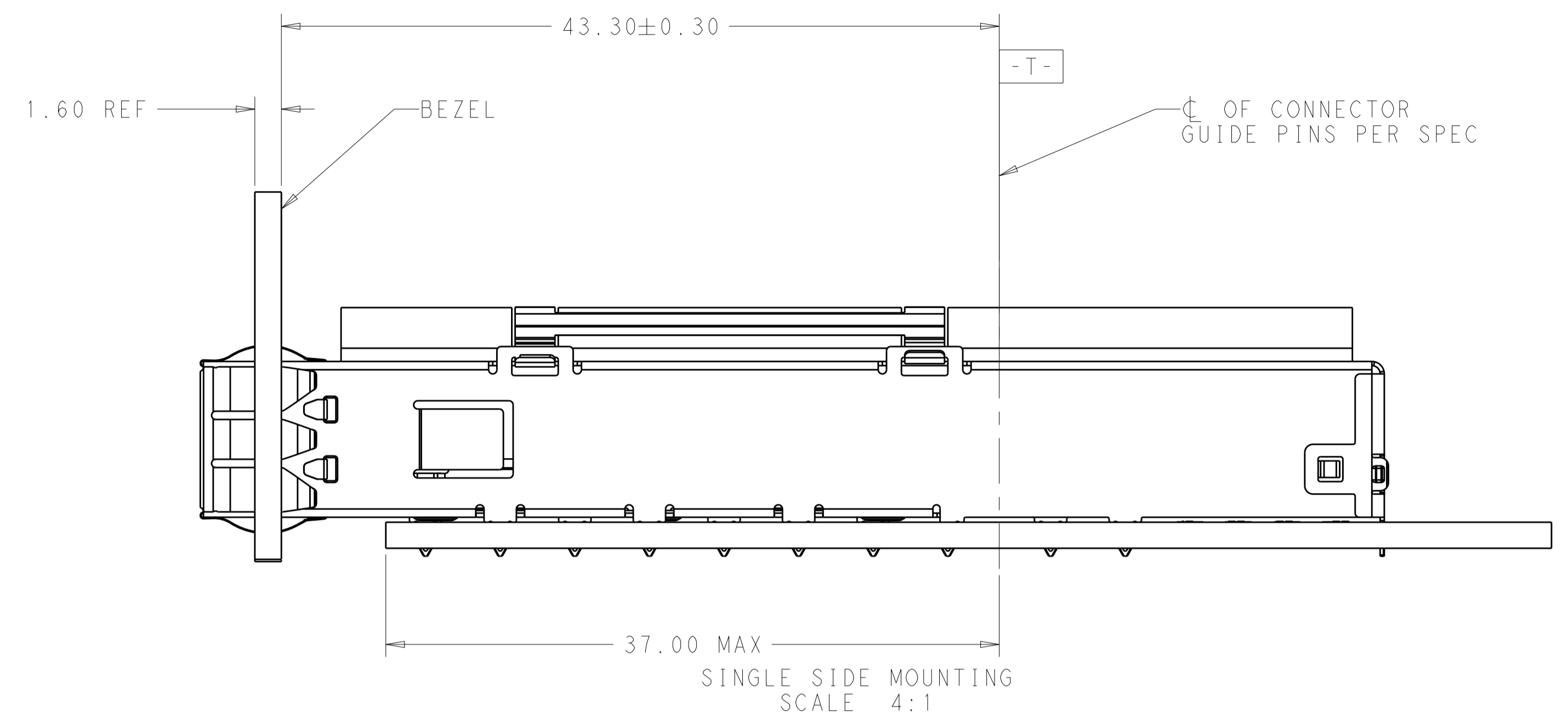
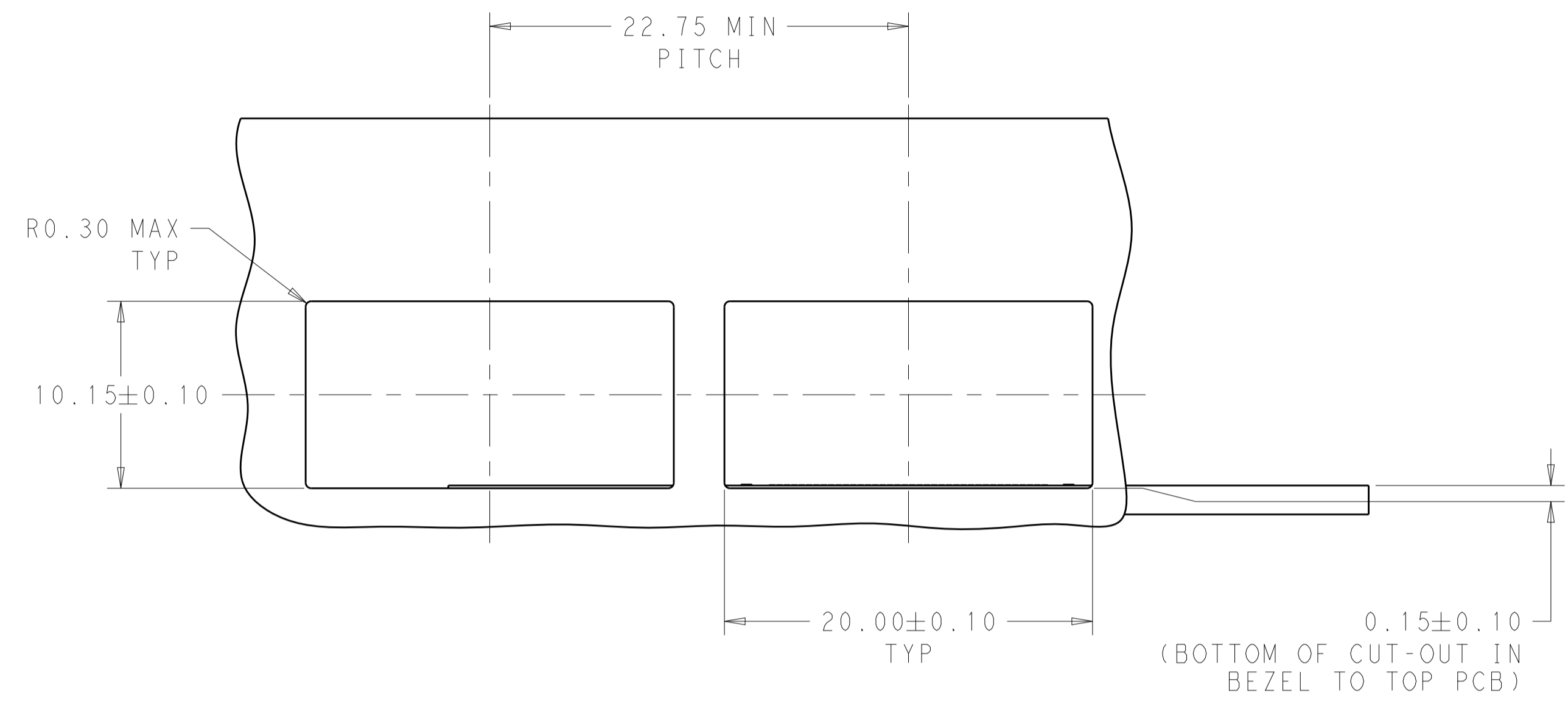
2342933-2 AS SHOWN
 WITH SAN HEAT SINK
 SCALE 4:1



2342933-3 AS SHOWN
 WITH NETWORKING HEAT SINK
 SCALE 4:1

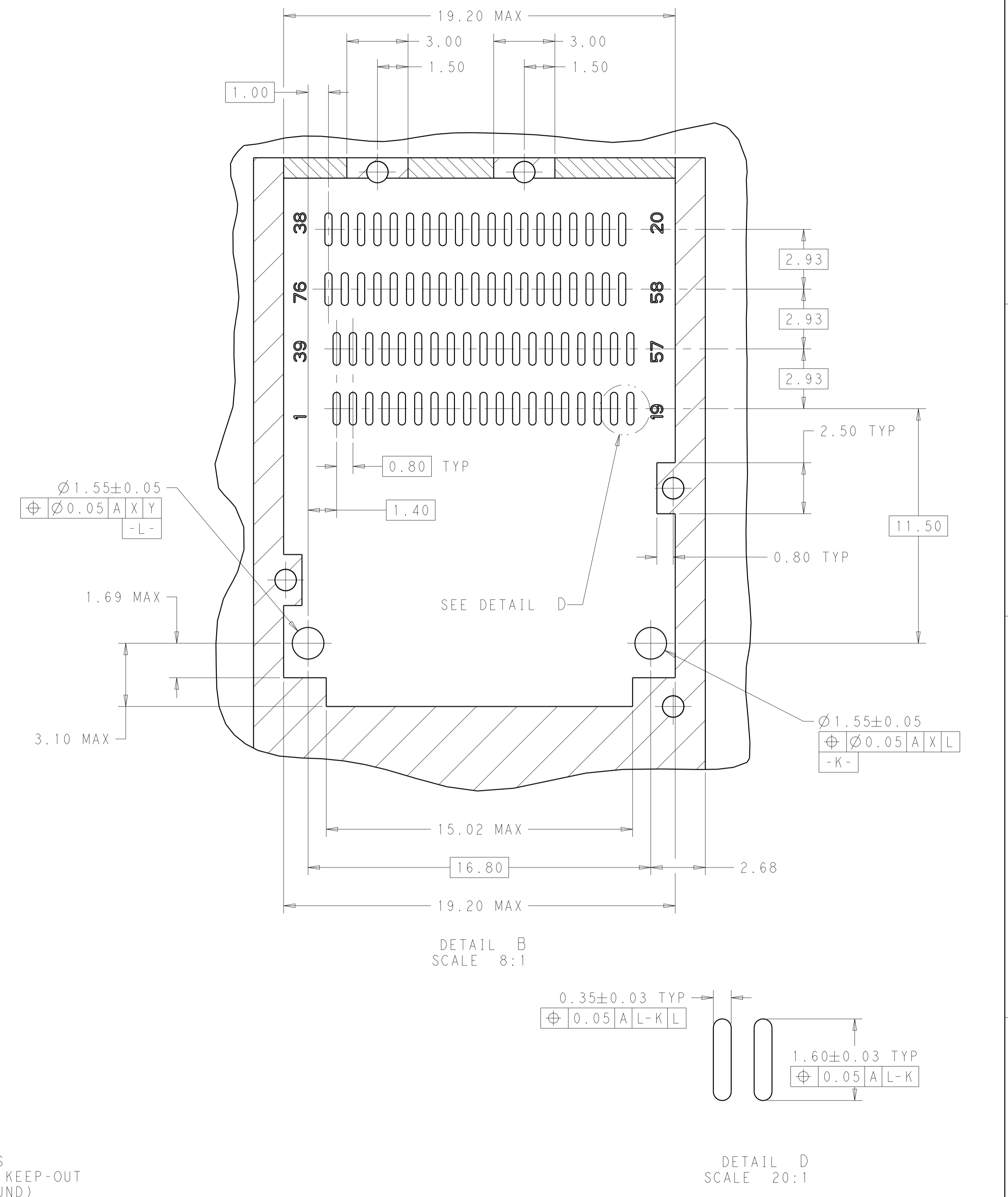
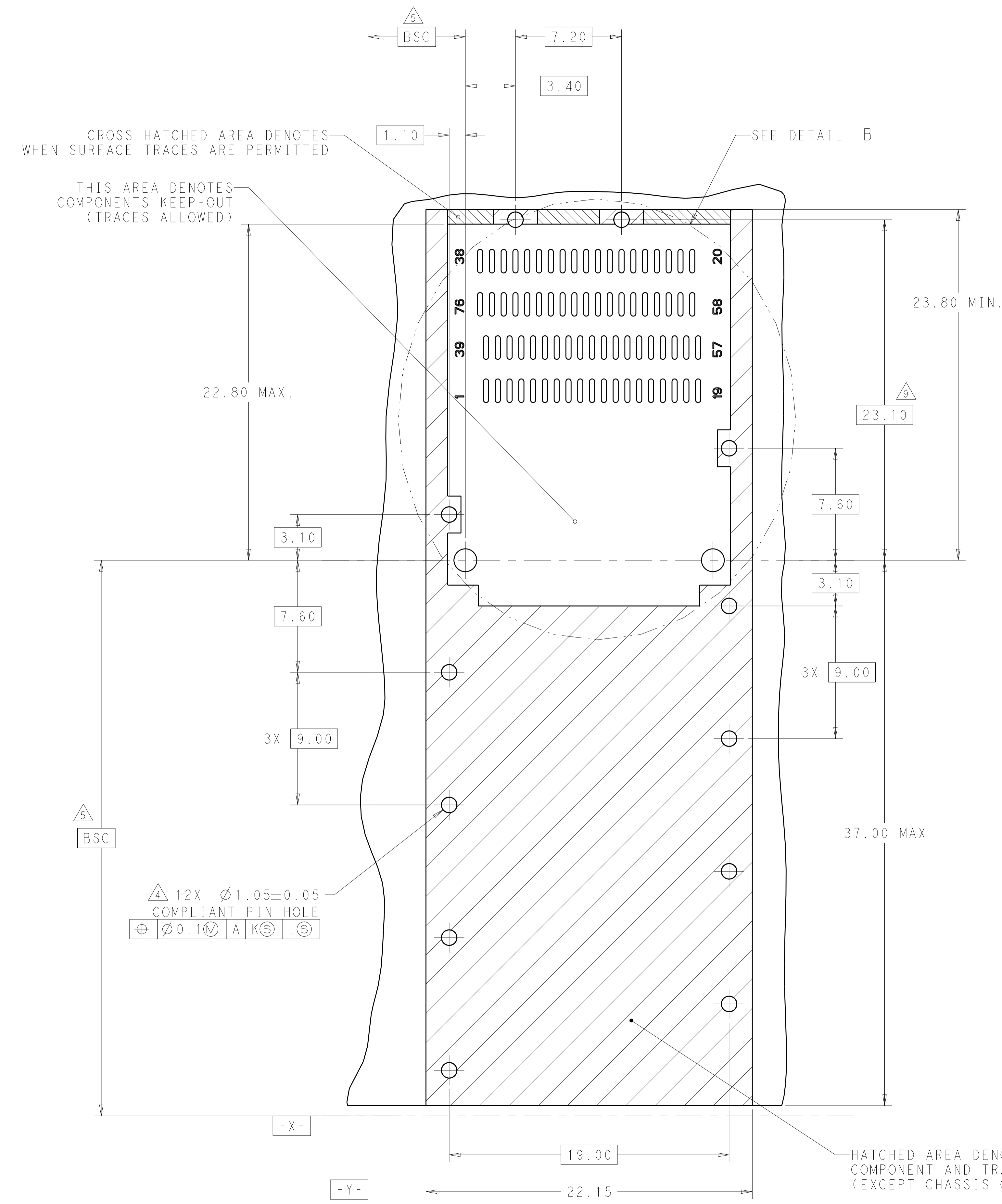
THIS DRAWING IS A CONTROLLED DOCUMENT.		OWN: ARTHUR JLN 29AUG2018	TE Connectivity
		CHK: SEAN HAN 29AUG2018	
		APPD: SEAN HAN 29AUG2018	NAME: CAGE ASSEMBLY, QSFP-DD STANDARD WITH EMI SPRING FINGER
		PRODUCT SPEC: 108-60122	
		APPLICATION SPEC: 114-60025	RESTRICTED TO:
		WEIGHT: -	SIZE: A1
		CUSTOMER DRAWING	SCALE: 2:1 SHEET 2 OF 5 REV A

LOC		DIST		REVISIONS			
				DESCRIPTION	DATE	DMN	APVD
-	-	-	-	SEE SHEET 1	-	-	-



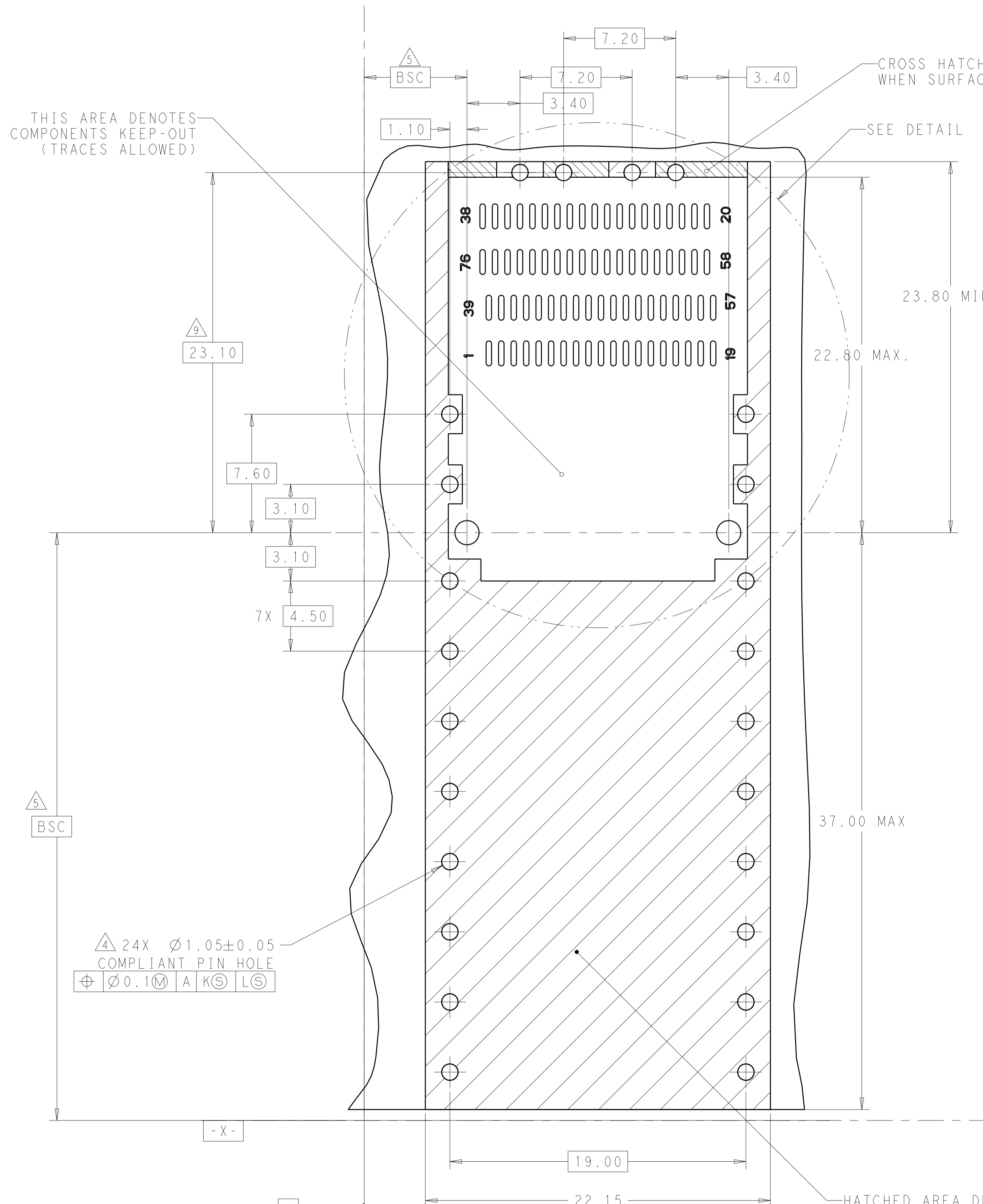
THIS DRAWING IS A CONTROLLED DOCUMENT.		DMN: ARTHUR JLN 29AUG2018	TE Connectivity
DIMENSIONS: mm		CHK: SEAN HAN 29AUG2018	
TOLERANCES UNLESS OTHERWISE SPECIFIED:		APVD: SEAN HAN 29AUG2018	NAME: CAGE ASSEMBLY, QSFP-DD STANDARD WITH EMI SPRING FINGER
0 PLC ±0.25	1 PLC ±0.25	PRODUCT SPEC: 108-60122	SIZE: A1
2 PLC ±0.20	3 PLC ±0.10	APPLICATION SPEC: 114-60025	CAGE CODE: 2342933
4 PLC ±	ANGLES ±	WEIGHT: -	RESTRICTED TO: -
MATERIAL: -	FINISH: -	CUSTOMER DRAWING	SCALE: 2:1 SHEET 3 OF 5 REV A

LOC	DIST	REV	DATE	BY	APPD
-	-	1	29AUG2018	SEAN HAN	SEAN HAN
REVISIONS			DESCRIPTION	DATE	DWN
-			SEE SHEET 1	-	-



THIS DRAWING IS A CONTROLLED DOCUMENT.		DWN: ARTHUR JIH 29AUG2018	TE Connectivity
DIMENSIONS: mm		CHK: SEAN HAN 29AUG2018	
TOLERANCES UNLESS OTHERWISE SPECIFIED:		APPD: SEAN HAN 29AUG2018	NAME: CAGE ASSEMBLY, QSFP-DD STANDARD WITH EMI SPRING FINGER
0 PLC ±0.25		PRODUCT SPEC: 108-60122	
1 PLC ±0.25		APPLICATION SPEC: 114-60025	SIZE: A1
2 PLC ±0.20		WEIGHT: -	SCALE: 2:1
3 PLC ±0.10		CUSTOMER DRAWING	SHEET 4 OF 5
4 PLC ±0.05			REV A
ANGLES: ±°			
FINISH: -			

LOC		DIST		REVISIONS			
				DESCRIPTION	DATE	OWN	APVD
-	-	-	-	SEE SHEET 1	-	-	-

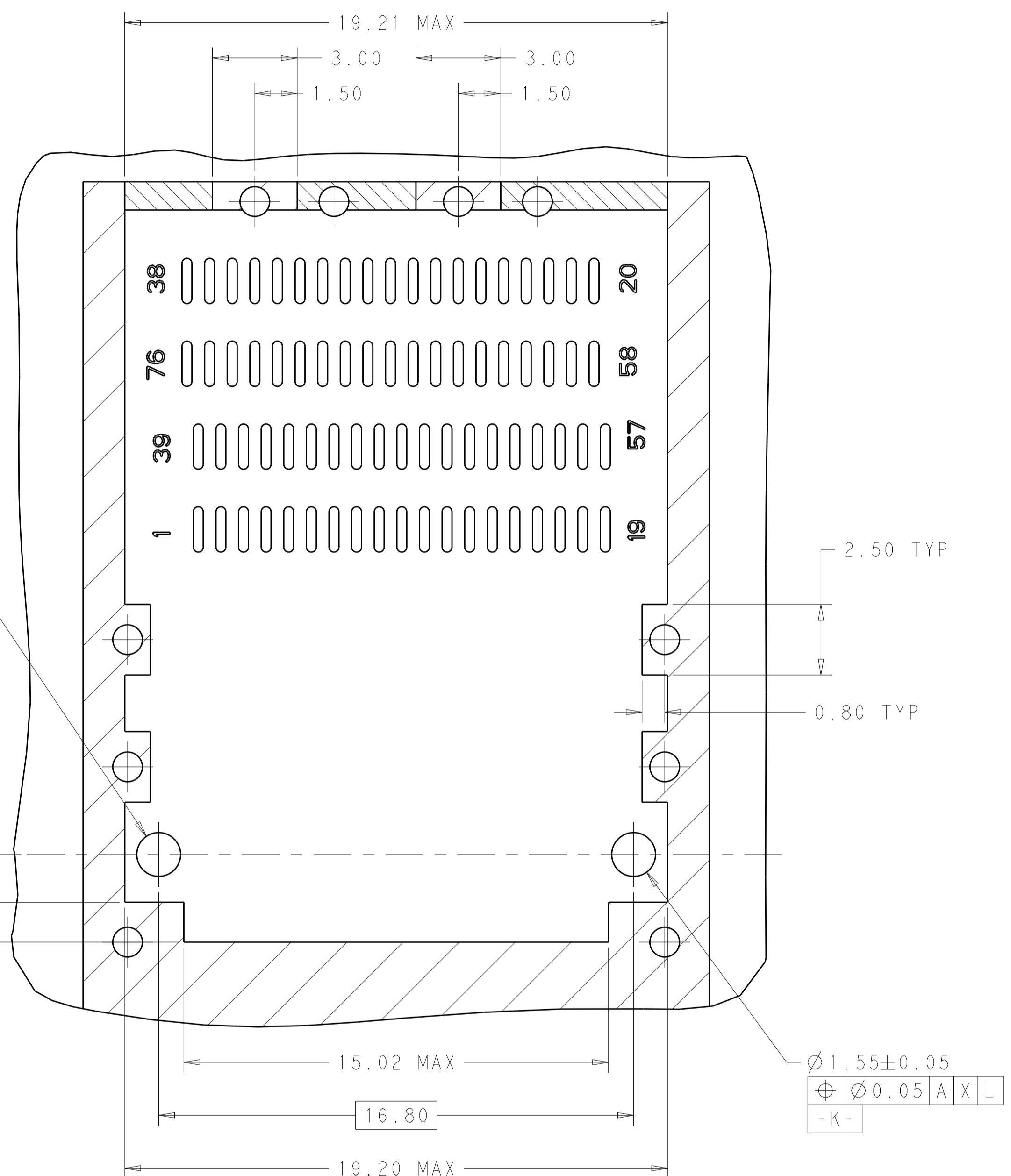


CROSS HATCHED AREA DENOTES WHEN SURFACE TRACES ARE PERMITTED

SEE DETAIL C

$\varnothing 1.55 \pm 0.05$
 $\varnothing 0.05$ A X Y
 -L-

1.69 MAX
 3.10 MAX



DETAIL C
 SCALE 8:1

24X $\varnothing 1.05 \pm 0.05$
 COMPLIANT PIN HOLE
 $\varnothing 0.1$ M A K S L S

$\varnothing 1.55 \pm 0.05$
 $\varnothing 0.05$ A X L
 -K-

RECOMMENDED PCB LAYOUT
 BELLY TO BELLY TYPE OF 2 REAR HOLES OF LEGS
 PCB TOLERANCE: ± 0.05
 SCALE 6:1

HATCHED AREA DENOTES COMPONENT AND TRACE KEEP-OUT (EXCEPT CHASSIS GROUND)

THIS DRAWING IS A CONTROLLED DOCUMENT.		OWN: ARTHUR JIN 29AUG2018	TE Connectivity														
DIMENSIONS: mm		CHK: SEAN HAN 29AUG2018															
TOLERANCES UNLESS OTHERWISE SPECIFIED:		APVD: SEAN HAN 29AUG2018	NAME: CAGE ASSEMBLY, QSFP-DD STANDARD WITH EMI SPRING FINGER														
<table border="1"> <tr><td>0 PLC</td><td>± 0.25</td></tr> <tr><td>1 PLC</td><td>± 0.25</td></tr> <tr><td>2 PLC</td><td>± 0.20</td></tr> <tr><td>3 PLC</td><td>± 0.20</td></tr> <tr><td>4 PLC</td><td>± 0.10</td></tr> <tr><td>ANGLES</td><td>\pm</td></tr> <tr><td>FINISH</td><td>\pm</td></tr> </table>		0 PLC	± 0.25	1 PLC	± 0.25	2 PLC	± 0.20	3 PLC	± 0.20	4 PLC	± 0.10	ANGLES	\pm	FINISH	\pm	PRODUCT SPEC: 108-60122	SIZE: A1
0 PLC	± 0.25																
1 PLC	± 0.25																
2 PLC	± 0.20																
3 PLC	± 0.20																
4 PLC	± 0.10																
ANGLES	\pm																
FINISH	\pm																
MATERIAL:		APPLICATION SPEC: 114-60025	CAGE CODE: 2342933														
		WEIGHT:	SCALE: 2:1														
		CUSTOMER DRAWING	SHEET 5 OF 5 REV A														