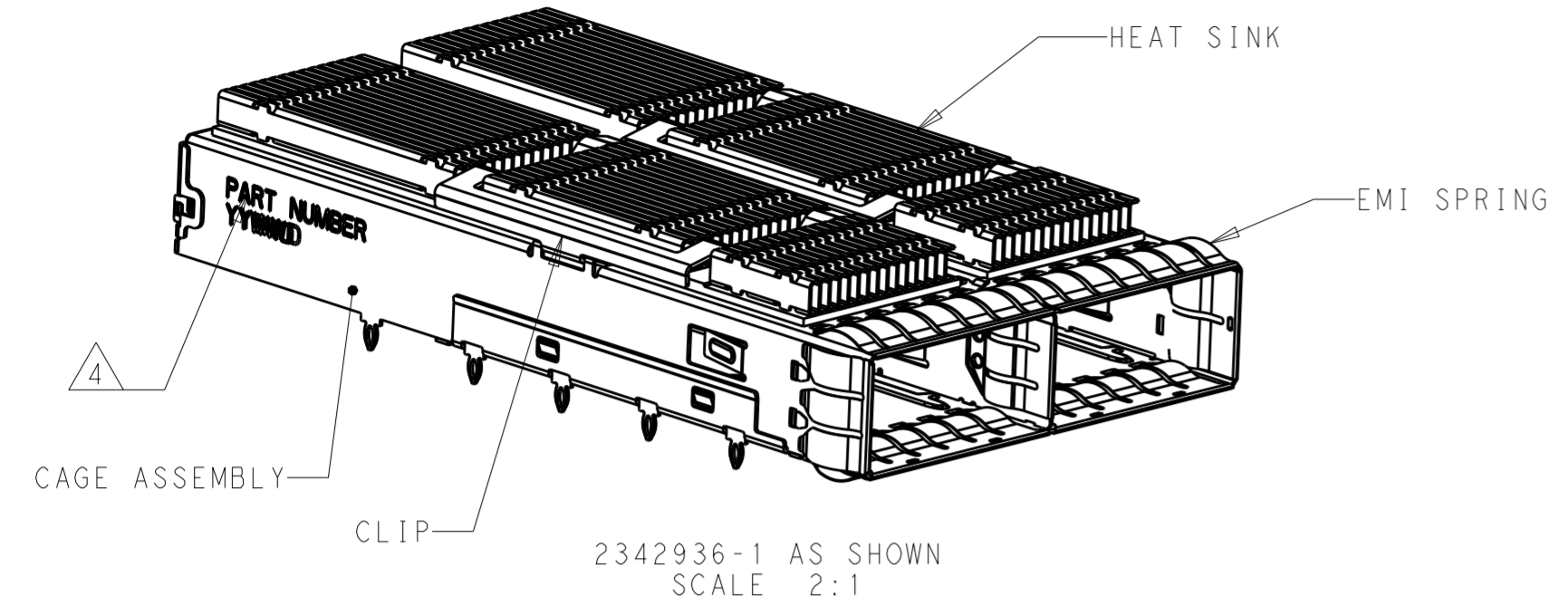


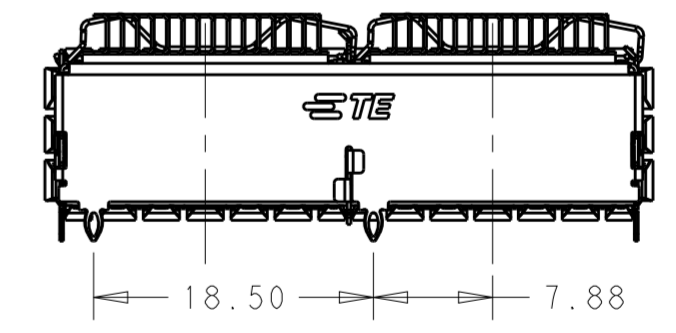
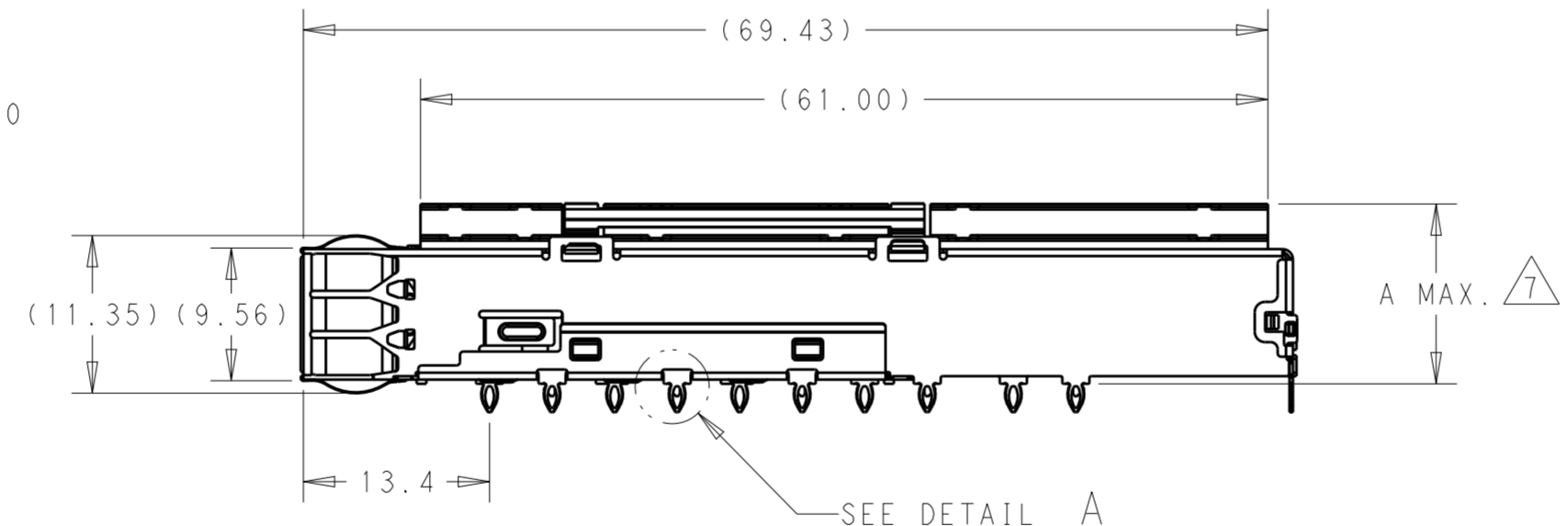
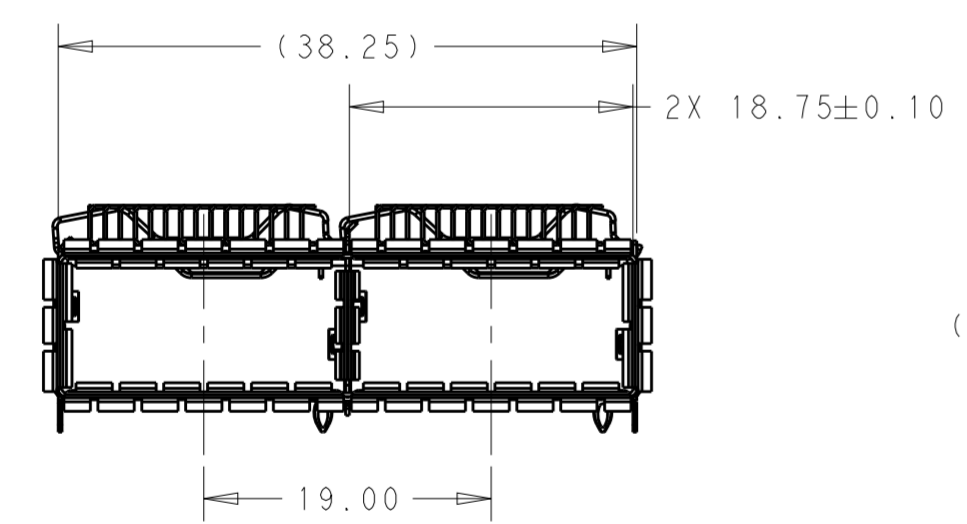
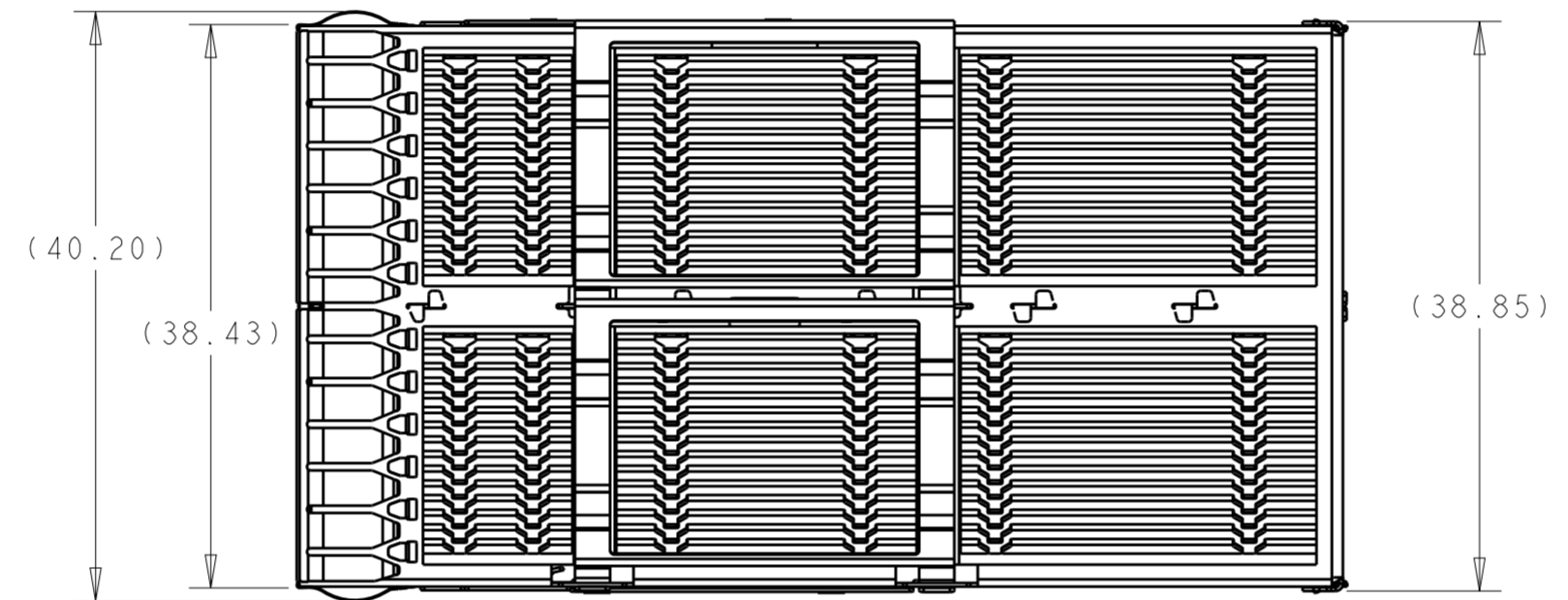
THIS DRAWING IS UNPUBLISHED. RELEASED FOR PUBLICATION 20
 © COPYRIGHT 20 BY - ALL RIGHTS RESERVED.

REVISIONS				
P	LTR	DESCRIPTION	DATE	APVD
A		INITIAL RELEASE	14JUN2019	AJ SH
A1		ADDED NEW DASH 1-1/1-2/1-3	01NOV2019	AJ SH

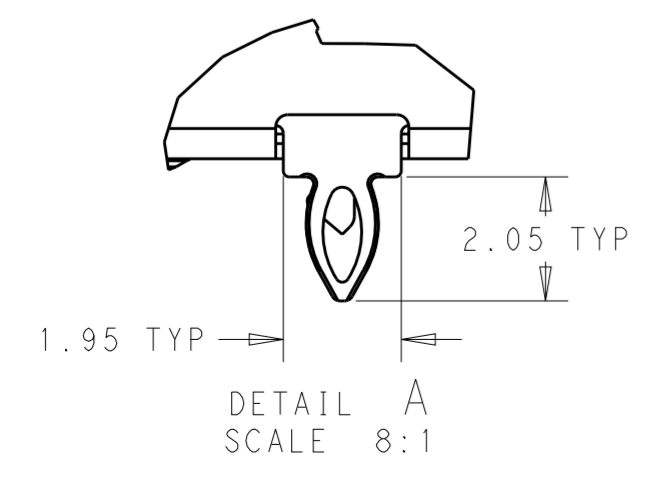


NOTES:

- 1 CAGE ASSEMBLY: STAINLESS STEEL.
HEAT SINK: ALUMINUM/ NICKEL PLATING.
HEAT SINK CLIP: STAINLESS STEEL.
EMI SPRING: COPPER ALLOY/NICKEL PLATE.
- 2 REFERENCE APPLICATION SPECIFICATION 114-60025 FOR RECOMMENDED DRILL HOLE DIAMETER AND PLATING THICKNESS. BOARD LAYOUT PER THIS PRINT.
- 3 DATUM AND BASIC DIMENSION ESTABLISHED BY CUSTOMER.
- 4 PART NUMBER AND DATE CODE (YYWWD) MARKED APPROXIMATELY AS SHOWN.
- 5. MATES WITH QSFP DD MSA COMPATIBLE TRANSCEIVER.
- 6. MINIMUM PC BOARD THICKNESS: SINGLE SIDED: 1.57 MIN
DOUBLE SIDED: 3.00 MIN
- 7 DIMENSION APPLIES WITH MODULE INSERTED.



2342936-1 AS SHOWN
SCALE 2:1

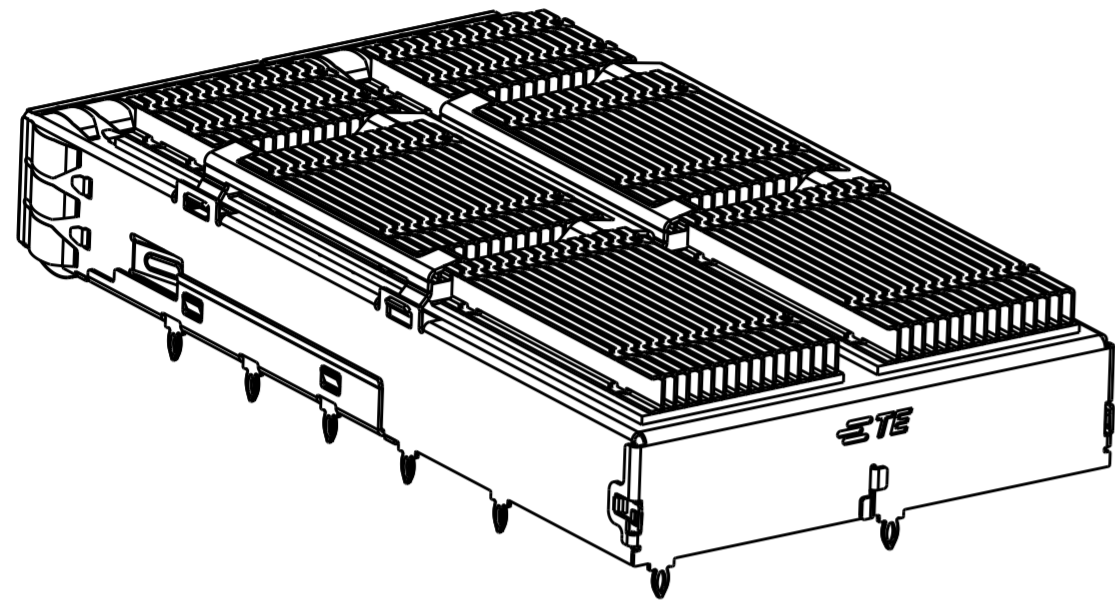


23.00	0	NETWORKING	1-2342936-3
16.00	0	SAN	1-2342936-2
13.70	0	PCI	1-2342936-1
23.00	1	NETWORKING	2342936-3
16.00	1	SAN	2342936-2
13.70	1	PCI	2342936-1
DIM A	REAR PIN # PER PORT	APPLICATION (HEAT SINK OPTION)	PART NUMBER

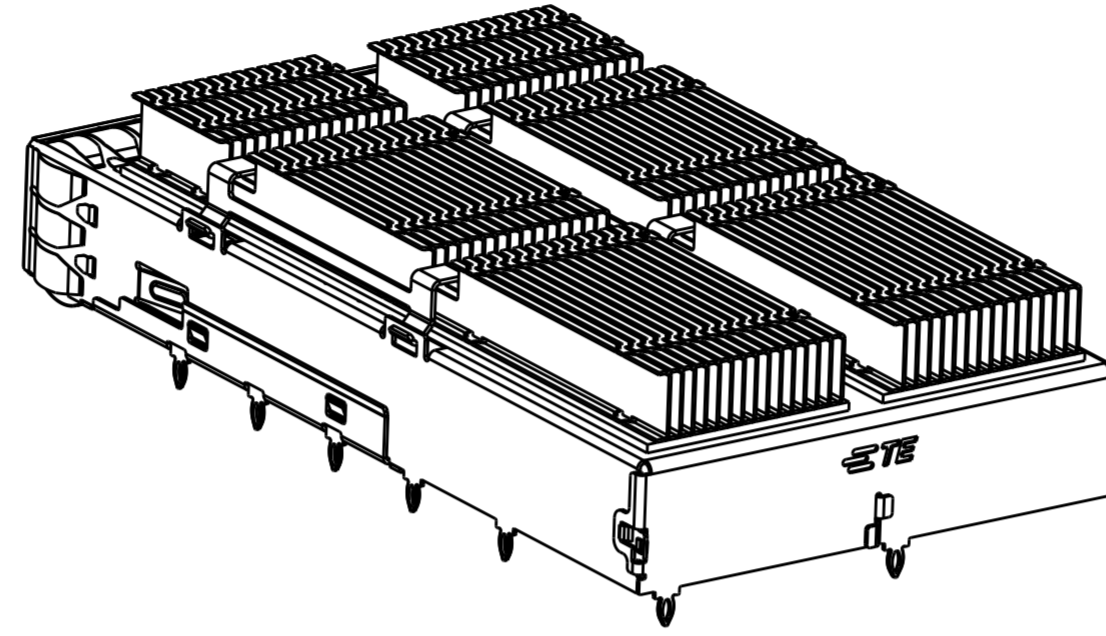
THIS DRAWING IS A CONTROLLED DOCUMENT.		DWN ARTHUR JIN 11SEP2018	TE Connectivity	
		CHK SEAN HAN 11SEP2018		
		APVD SEAN HAN 11SEP2018	NAME QSFP-DD, 1X2 CAGE ASSEMBLY W_ZIPPER FIN HEAT SINK W_ EMI SPRING,	
DIMENSIONS: mm		TOLERANCES UNLESS OTHERWISE SPECIFIED:	PRODUCT SPEC 108-60122	
		0 PLC ±0.25	APPLICATION SPEC 114-60025	
		1 PLC ±0.25	WEIGHT -	
		2 PLC ±0.20	SIZE A2	
		3 PLC ±0.10	CAGE CODE -	
		4 PLC ±	DRAWING NO C-2342936	
MATERIAL SEE NOTE		FINISH SEE NOTE	RESTRICTED TO -	
			SCALE 1:1 SHEET 1 OF 5 REV A1	
			CUSTOMER DRAWING	

THIS DRAWING IS UNPUBLISHED. RELEASED FOR PUBLICATION 20
 © COPYRIGHT 20 BY - ALL RIGHTS RESERVED.

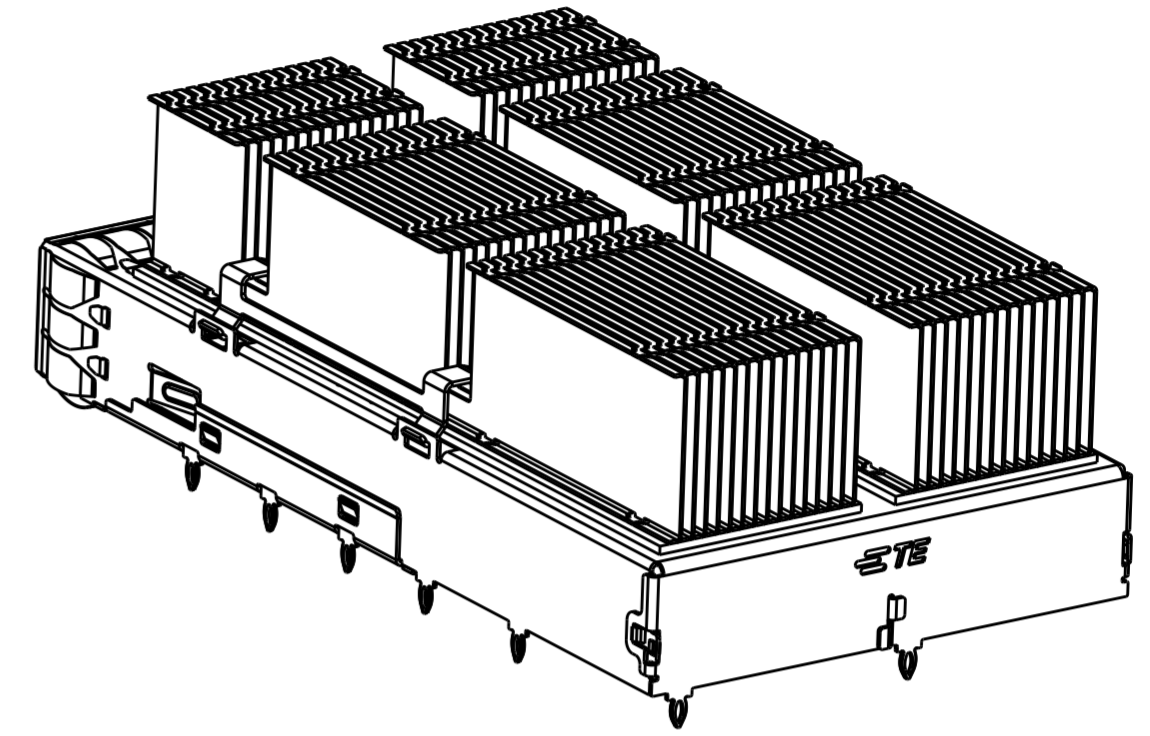
REVISIONS					
P	LTR	DESCRIPTION	DATE	DWN	APVD
-		SEE SHEET 1	-	-	-



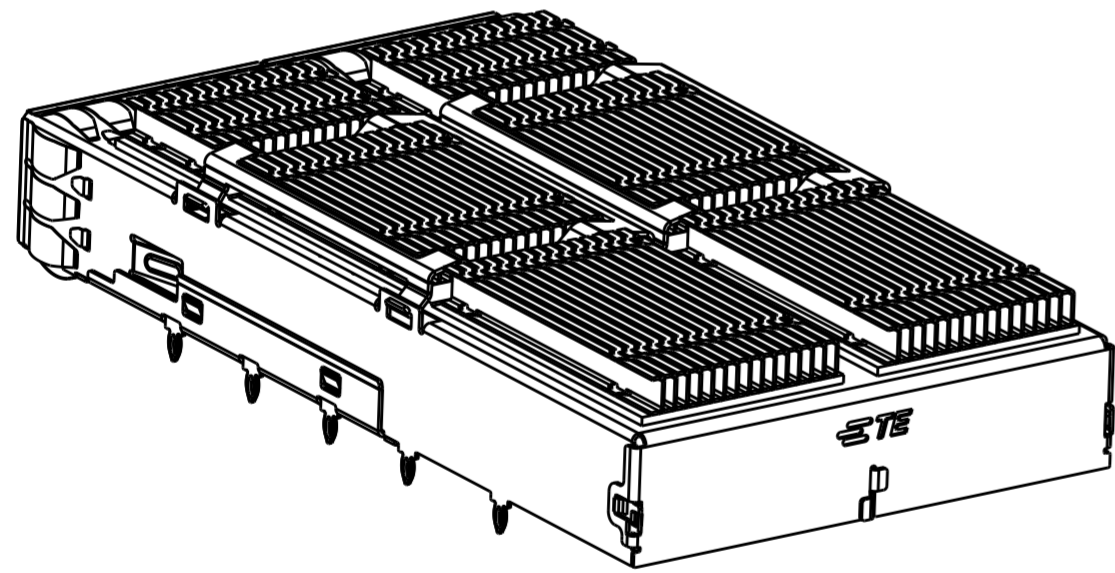
2342936-1 AS SHOWN
WITH PCI HEAT SINK
SCALE 2:1



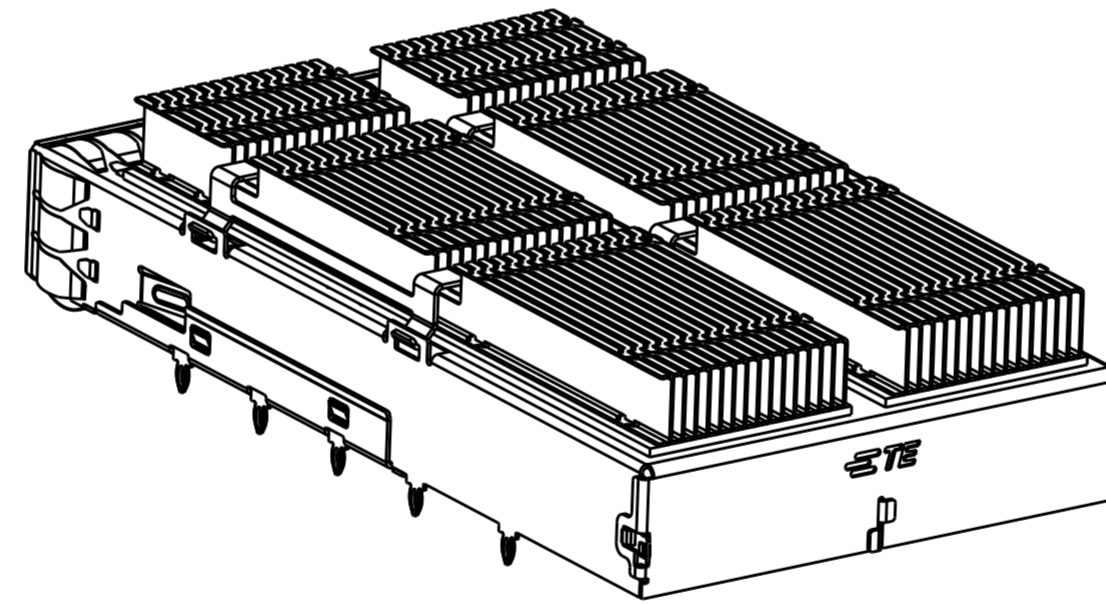
2342936-2 AS SHOWN
WITH SAN HEAT SINK
SCALE 2:1



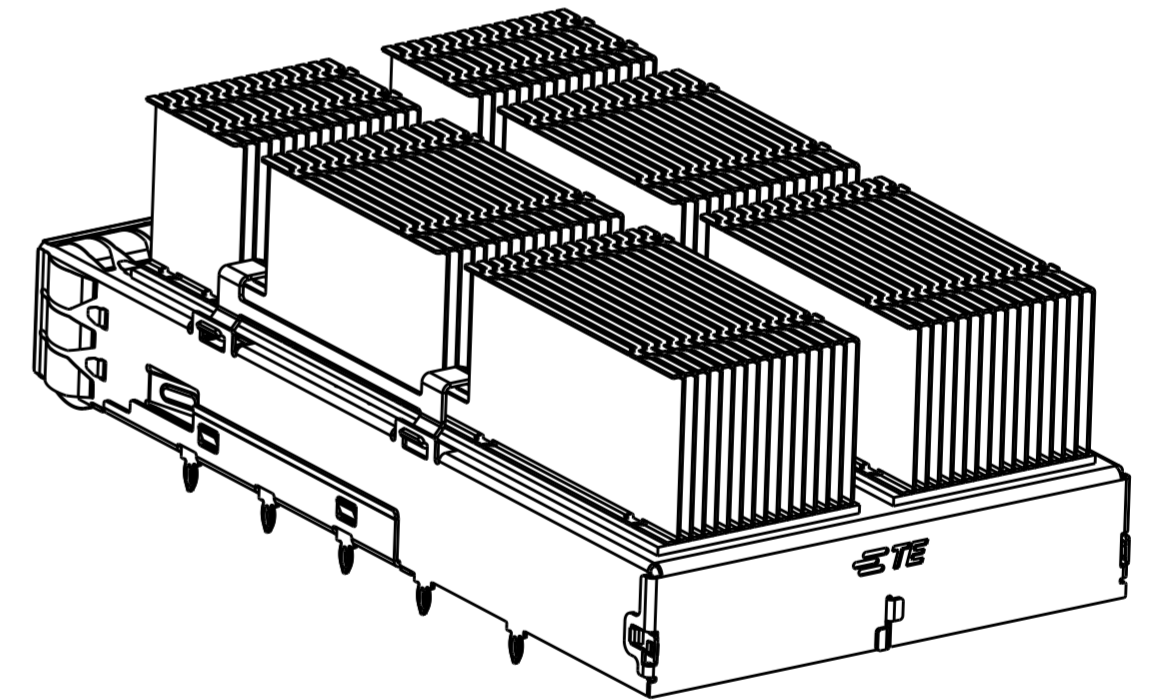
2342936-3 AS SHOWN
WITH NETWORKING HEAT SINK
SCALE 2:1



1-2342936-1 AS SHOWN
WITH PCI HEAT SINK
W/O REAR PIN
SCALE 2:1



1-2342936-2 AS SHOWN
WITH SAN HEAT SINK
W/O REAR PIN
SCALE 2:1

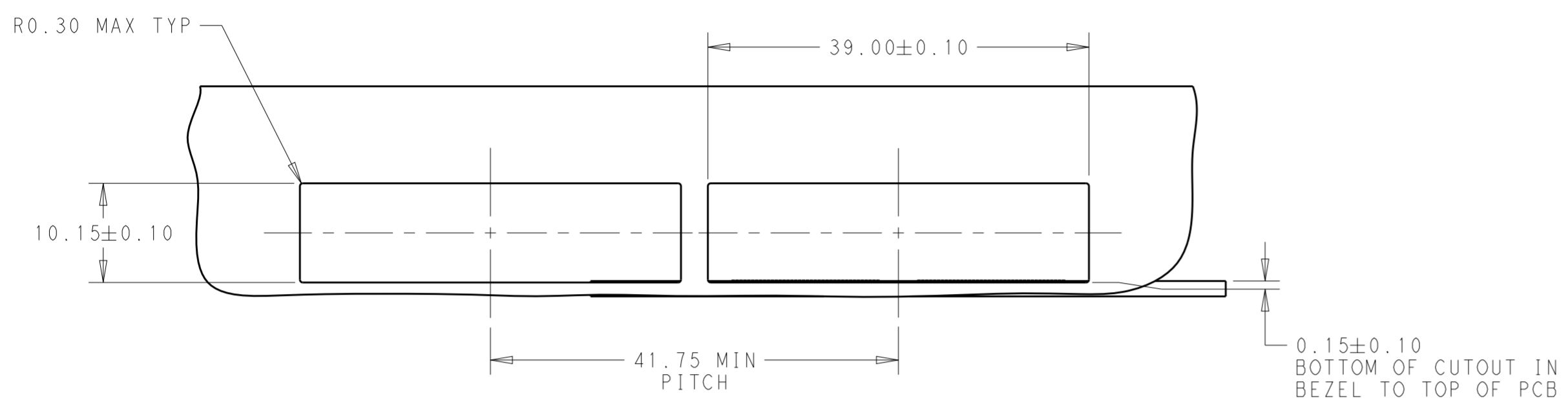


1-2342936-3 AS SHOWN
WITH NETWORKING HEAT SINK
W/O REAR PIN
SCALE 2:1

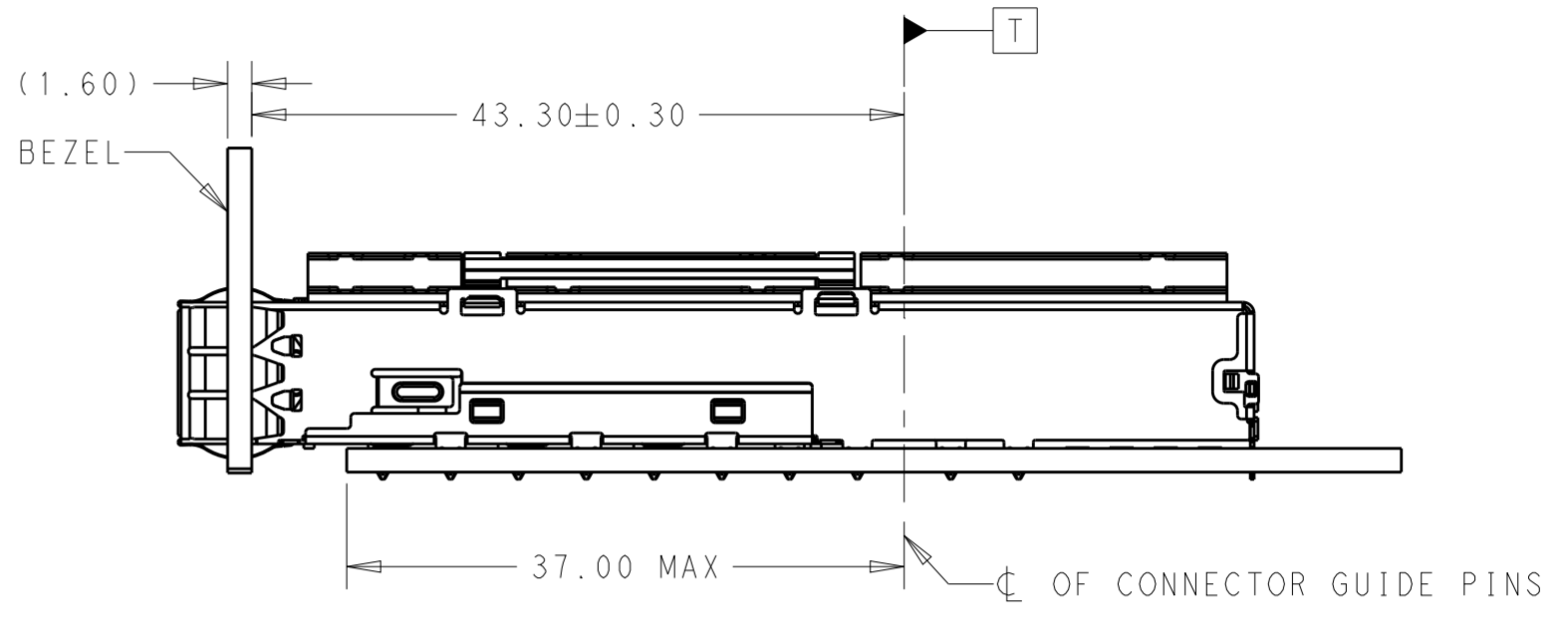
THIS DRAWING IS A CONTROLLED DOCUMENT.		DWN ARTHUR JIN 11SEP2018	TE Connectivity															
DIMENSIONS: mm		CHK SEAN HAN 11SEP2018																
TOLERANCES UNLESS OTHERWISE SPECIFIED:		APVD SEAN HAN 11SEP2018	NAME QSFP-DD, 1X2 CAGE ASSEMBLY W_ZIPPER FIN HEAT SINK W_ EMI SPRING,															
<table border="1"> <tr><td>0 PLC</td><td>±0.25</td></tr> <tr><td>1 PLC</td><td>±0.25</td></tr> <tr><td>2 PLC</td><td>±0.20</td></tr> <tr><td>3 PLC</td><td>±0.10</td></tr> <tr><td>4 PLC</td><td>±</td></tr> <tr><td>ANGLES</td><td>±</td></tr> <tr><td>FINISH</td><td>±</td></tr> </table>		0 PLC	±0.25	1 PLC	±0.25	2 PLC	±0.20	3 PLC	±0.10	4 PLC	±	ANGLES	±	FINISH	±	PRODUCT SPEC 108-60122	SIZE A2	
0 PLC	±0.25																	
1 PLC	±0.25																	
2 PLC	±0.20																	
3 PLC	±0.10																	
4 PLC	±																	
ANGLES	±																	
FINISH	±																	
MATERIAL SEE NOTE		APPLICATION SPEC 114-60025	DRAWING NO C-2342936															
		WEIGHT -	RESTRICTED TO -															
		CUSTOMER DRAWING	SCALE 1:1 SHEET 2 OF 5 REV A1															

THIS DRAWING IS UNPUBLISHED. RELEASED FOR PUBLICATION 20
 © COPYRIGHT 20 BY - ALL RIGHTS RESERVED.

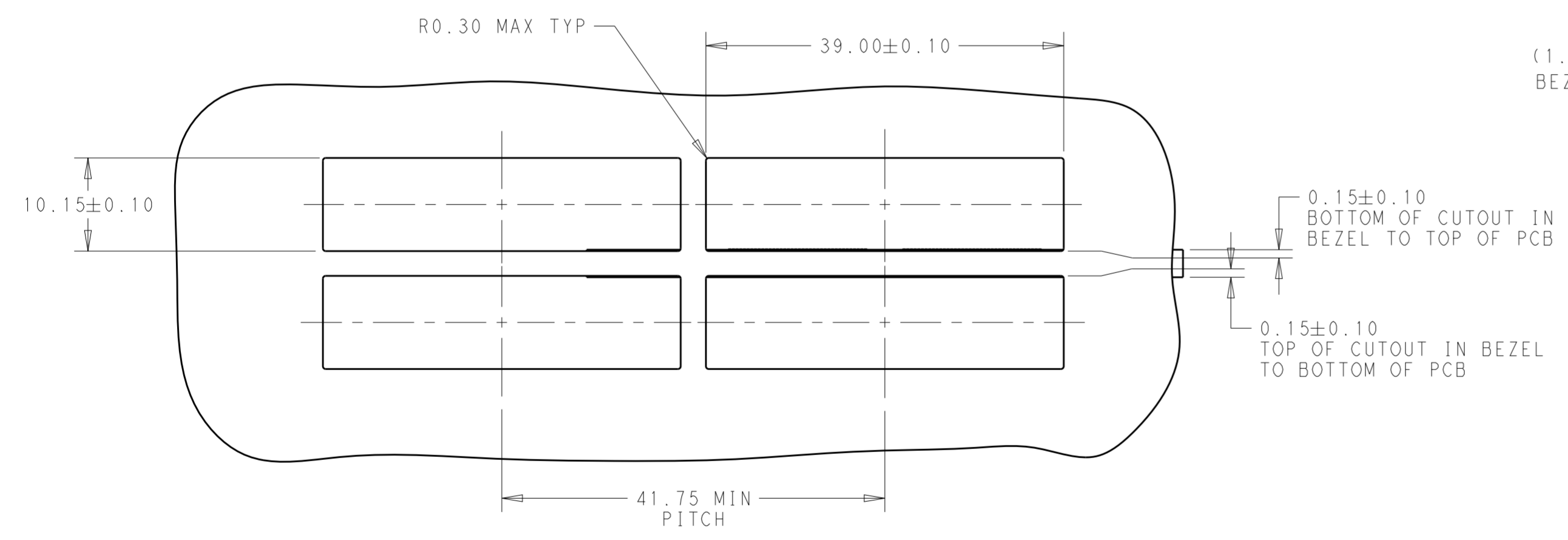
REVISIONS				
P	LTR	DESCRIPTION	DATE	APVD
-	-	SEE SHEET 1	-	-



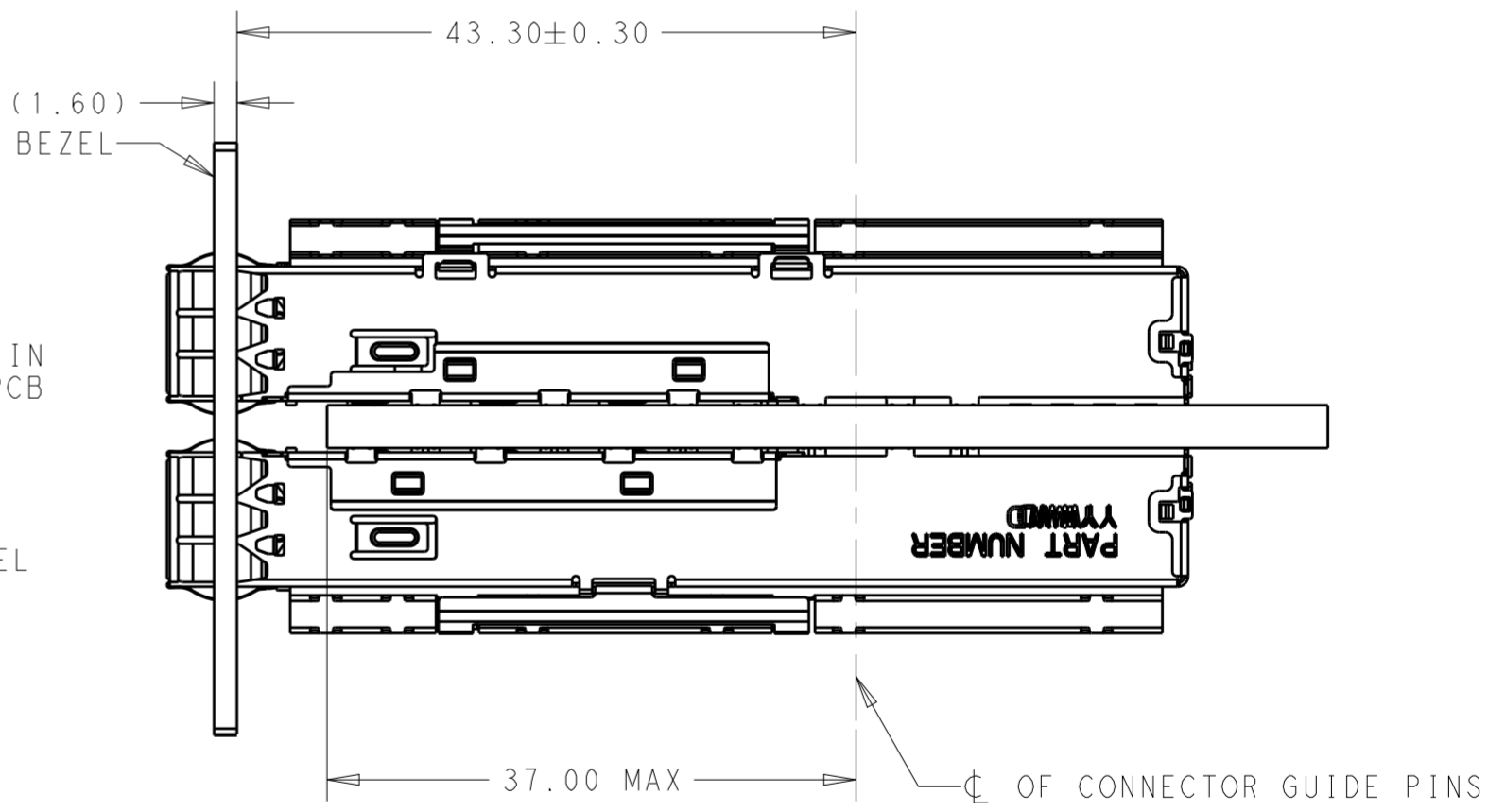
CAGE ASSEMBLY OMITTED FOR CLARITY



SINGLE SIDE MOUNTING



CAGE ASSEMBLY OMITTED FOR CLARITY

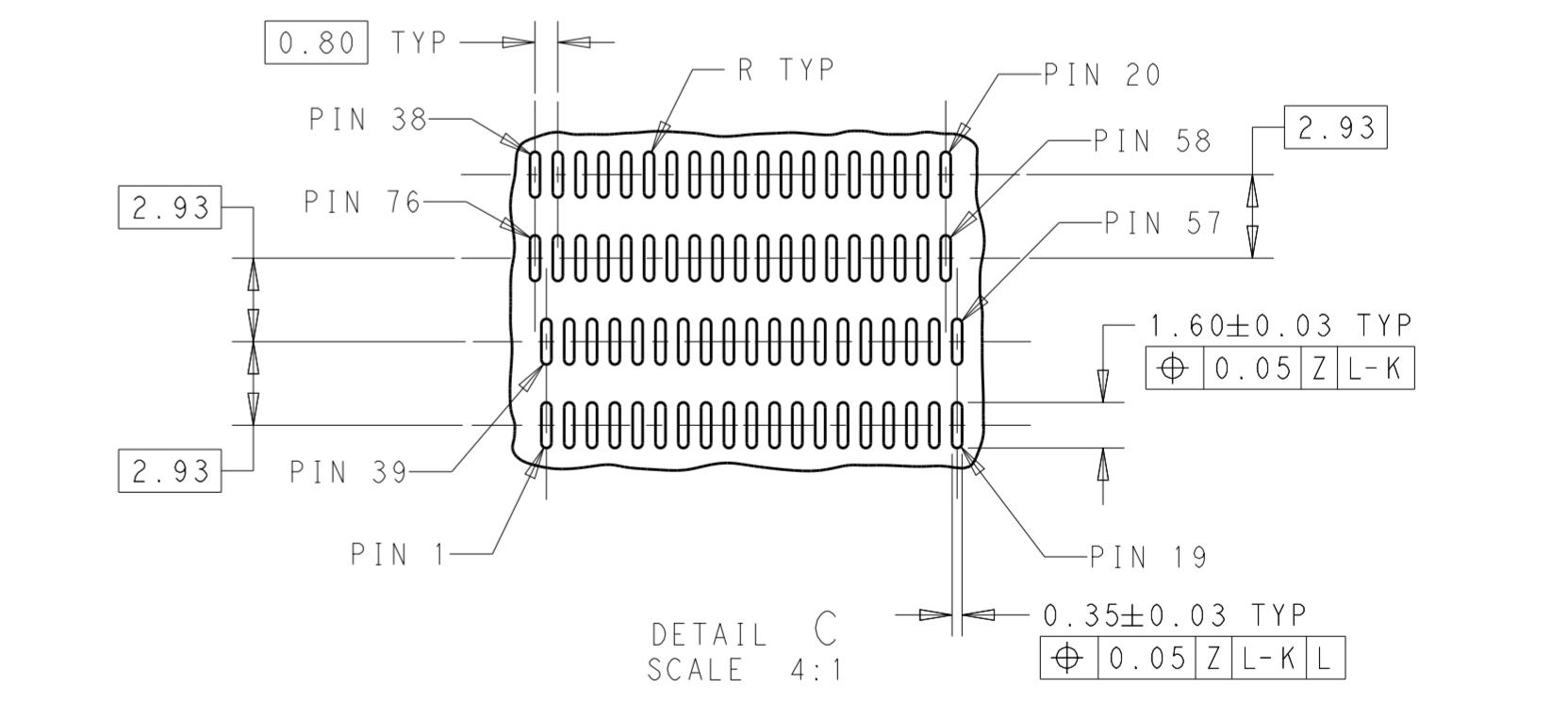
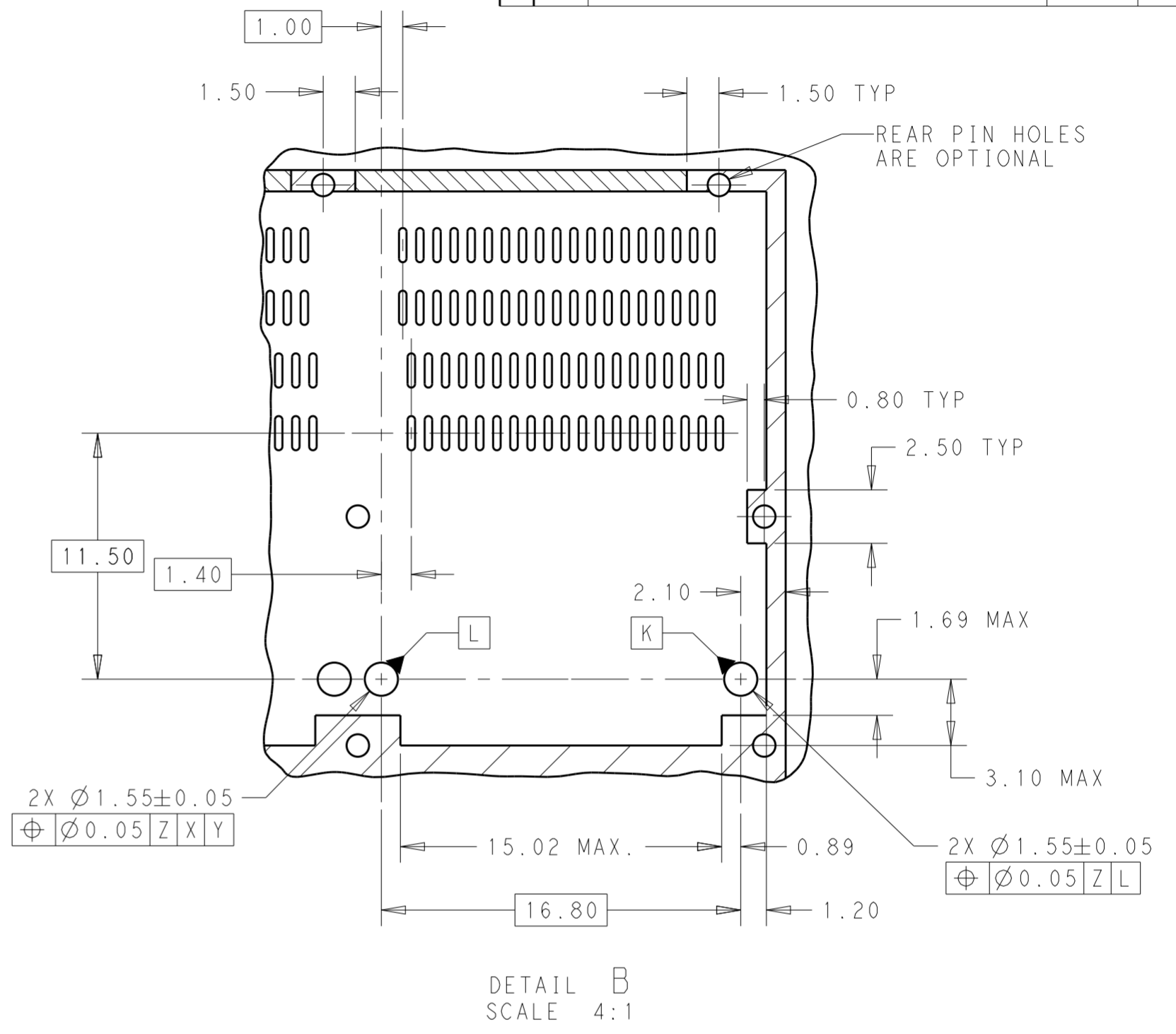
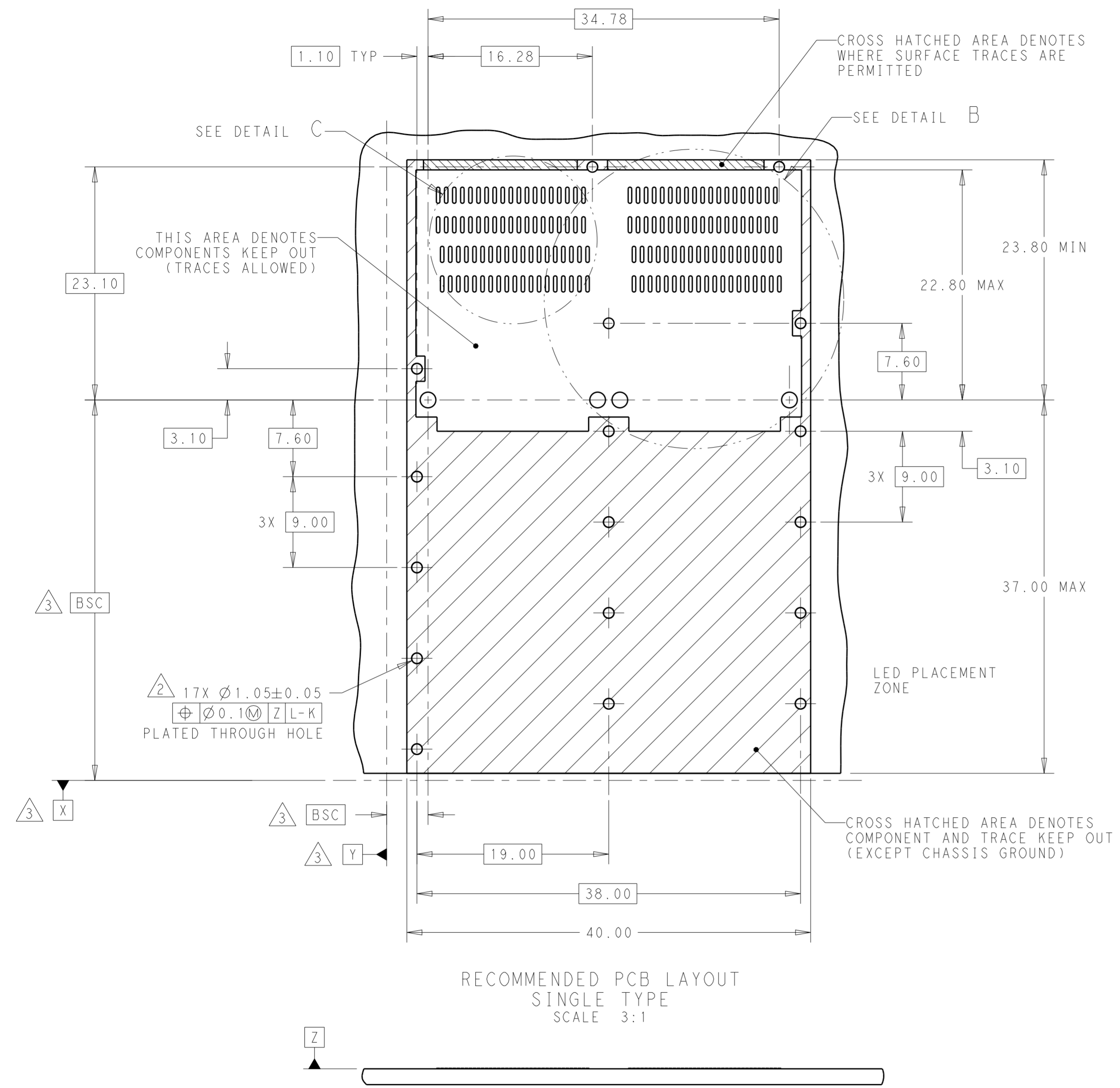


BELLY TO BELLY MOUNTING

THIS DRAWING IS A CONTROLLED DOCUMENT.		DWN ARTHUR JIN 11SEP2018	TE Connectivity	
DIMENSIONS: mm		CHK SEAN HAN 11SEP2018		
TOLERANCES UNLESS OTHERWISE SPECIFIED:		APVD SEAN HAN 11SEP2018	NAME QSFP-DD, 1X2 CAGE ASSEMBLY W_ZIPPER FIN HEAT SINK W_ EMI SPRING,	
0 PLC ±0.25	1 PLC ±0.25	PRODUCT SPEC 108-60122	SIZE A2	CAGE CODE -
2 PLC ±0.20	3 PLC ±0.10	APPLICATION SPEC 114-60025	DRAWING NO C-2342936	RESTRICTED TO -
4 PLC ±	ANGLES ±	WEIGHT -	SCALE 1:1	SHEET 3 OF 5
MATERIAL SEE NOTE	FINISH SEE NOTE	CUSTOMER DRAWING	REV A1	

THIS DRAWING IS UNPUBLISHED. RELEASED FOR PUBLICATION 20
 © COPYRIGHT 20 BY - ALL RIGHTS RESERVED.

REVISIONS				
P	LTR	DESCRIPTION	DATE	APVD
-	-	SEE SHEET 1	-	-

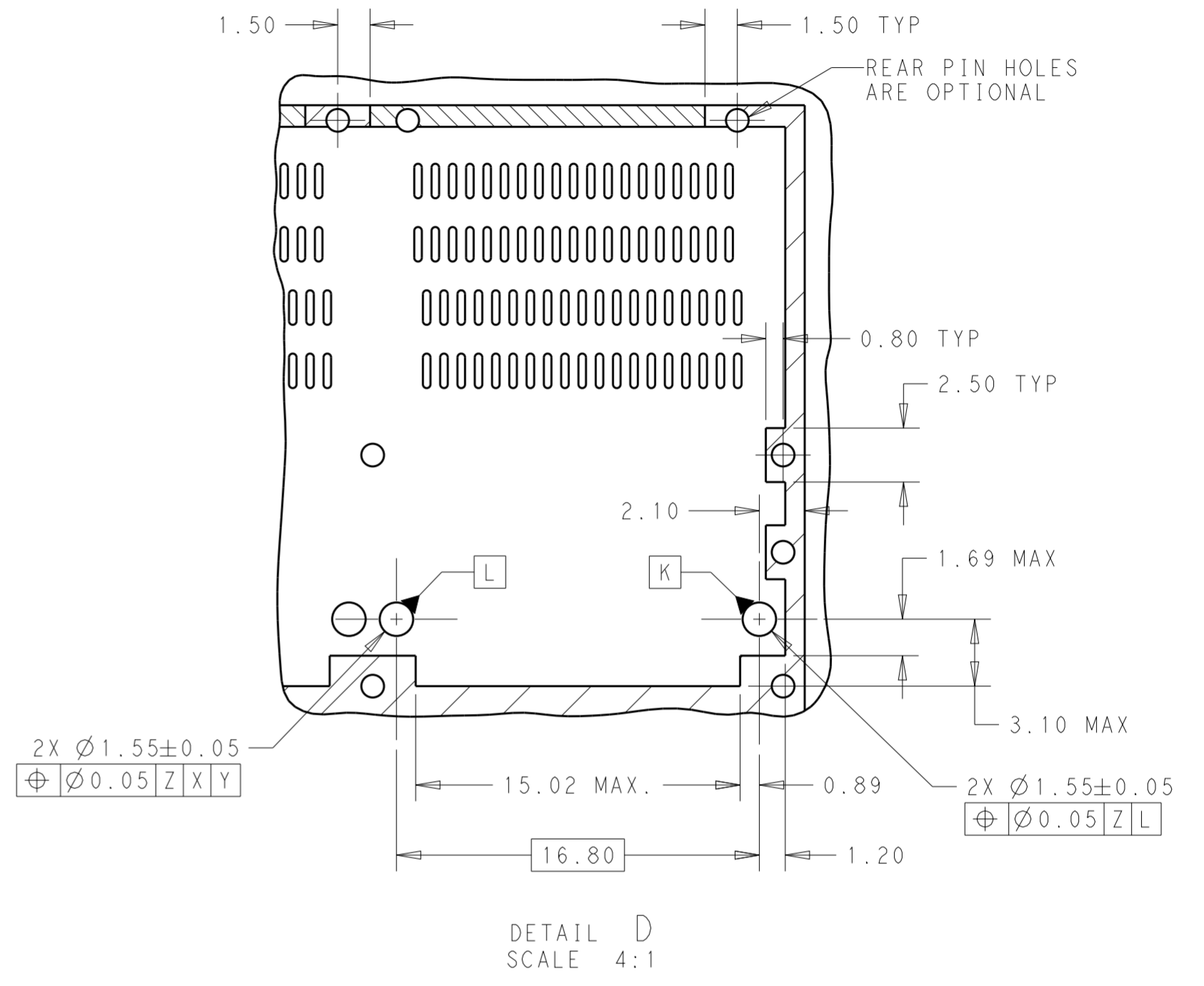
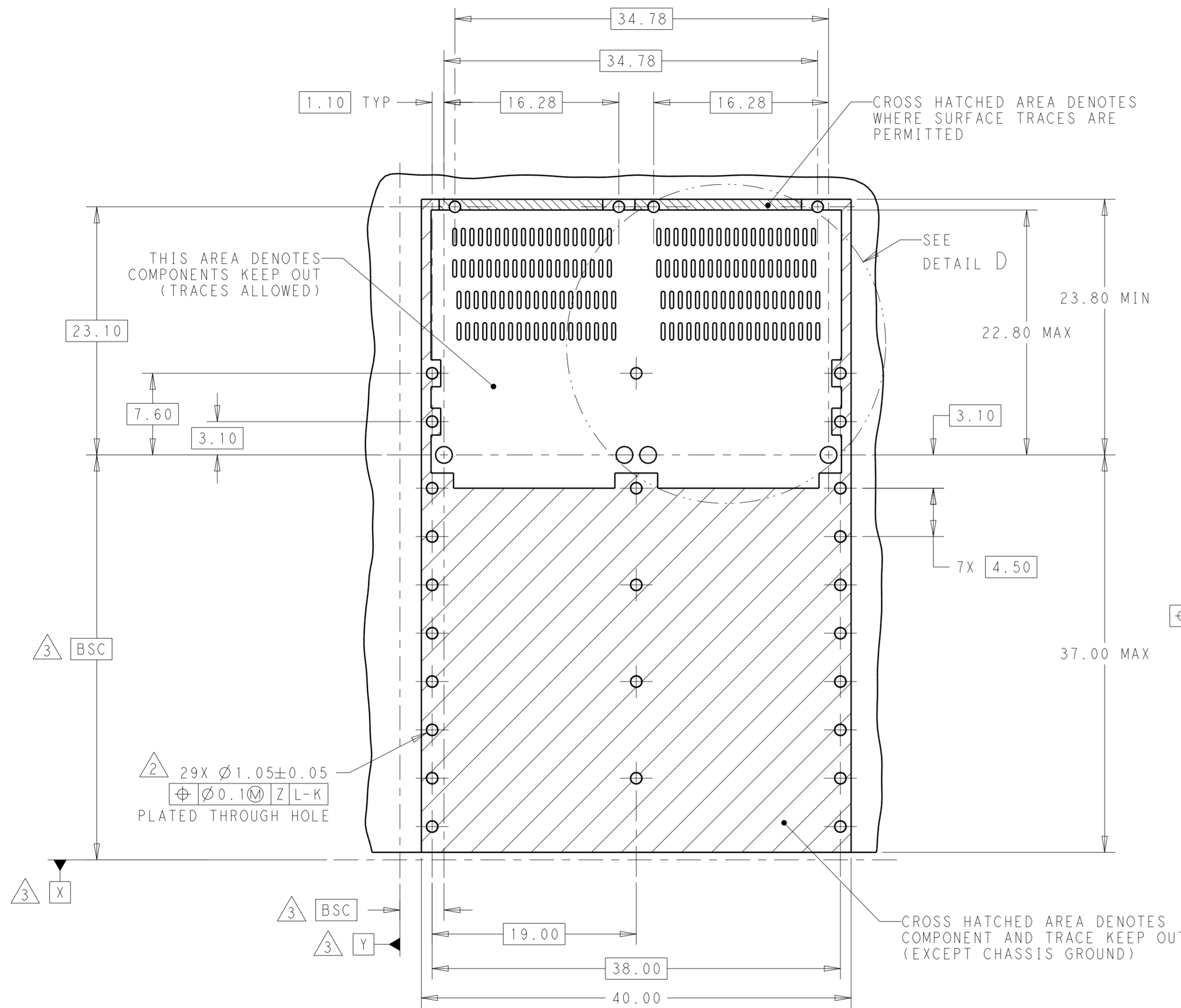


DIMENSIONS:		TOLERANCES UNLESS OTHERWISE SPECIFIED:	
mm		0 PLC	±0.25
		1 PLC	±0.25
		2 PLC	±0.20
		3 PLC	±0.10
		4 PLC	±
		ANGLES	±
		FINISH	±
MATERIAL	SEE NOTE	SEE NOTE	SEE NOTE

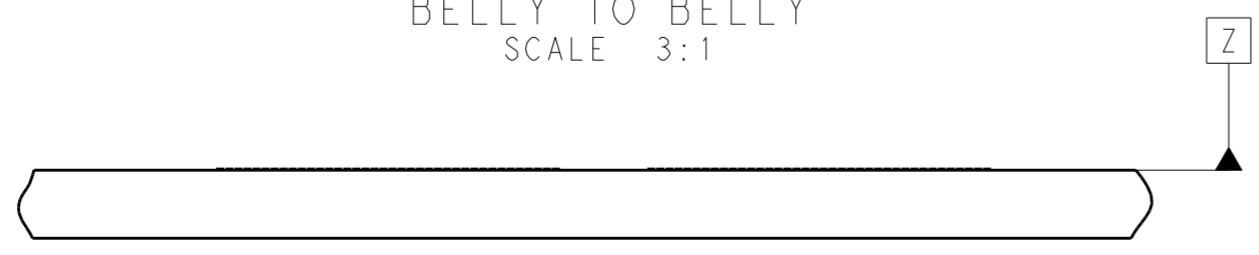
THIS DRAWING IS A CONTROLLED DOCUMENT.		DWN	11SEP2018	TE Connectivity	
		CHK	11SEP2018		
		APVD	11SEP2018		
		PRODUCT SPEC	108-60122		
		APPLICATION SPEC	114-60025	NAME	QSFP-DD, 1X2 CAGE ASSEMBLY W-ZIPPER FIN HEAT SINK W-EMI SPRING,
		WEIGHT	-	SIZE	A2
		CUSTOMER DRAWING		CAGE CODE	-
				DRAWING NO	C-2342936
				RESTRICTED TO	-
				SCALE	1:1
				SHEET	4 OF 5
				REV	A1

THIS DRAWING IS UNPUBLISHED. RELEASED FOR PUBLICATION 20
 © COPYRIGHT 20 BY - ALL RIGHTS RESERVED.

REVISIONS				
P	LTR	DESCRIPTION	DATE	APVD
-	-	SEE SHEET 1	-	-



RECOMMENDED PCB LAYOUT
 BELLY TO BELLY
 SCALE 3:1



THIS DRAWING IS A CONTROLLED DOCUMENT.		DWN ARTHUR JIN 11SEP2018	TE Connectivity	
DIMENSIONS: mm		CHK SEAN HAN 11SEP2018		
TOLERANCES UNLESS OTHERWISE SPECIFIED:		APVD SEAN HAN 11SEP2018	NAME QSFP-DD, 1X2 CAGE ASSEMBLY W_ZIPPER FIN HEAT SINK W_EMI SPRING,	
0 PLC ±0.25	1 PLC ±0.25	PRODUCT SPEC 108-60122	SIZE A2	CAGE CODE -
2 PLC ±0.20	3 PLC ±0.10	APPLICATION SPEC 114-60025	DRAWING NO C-2342936	RESTRICTED TO -
4 PLC ±	ANGLES ±	WEIGHT -	SCALE 2:1	SHEET 5 OF 5
MATERIAL SEE NOTE	FINISH SEE NOTE	CUSTOMER DRAWING	REV A1	