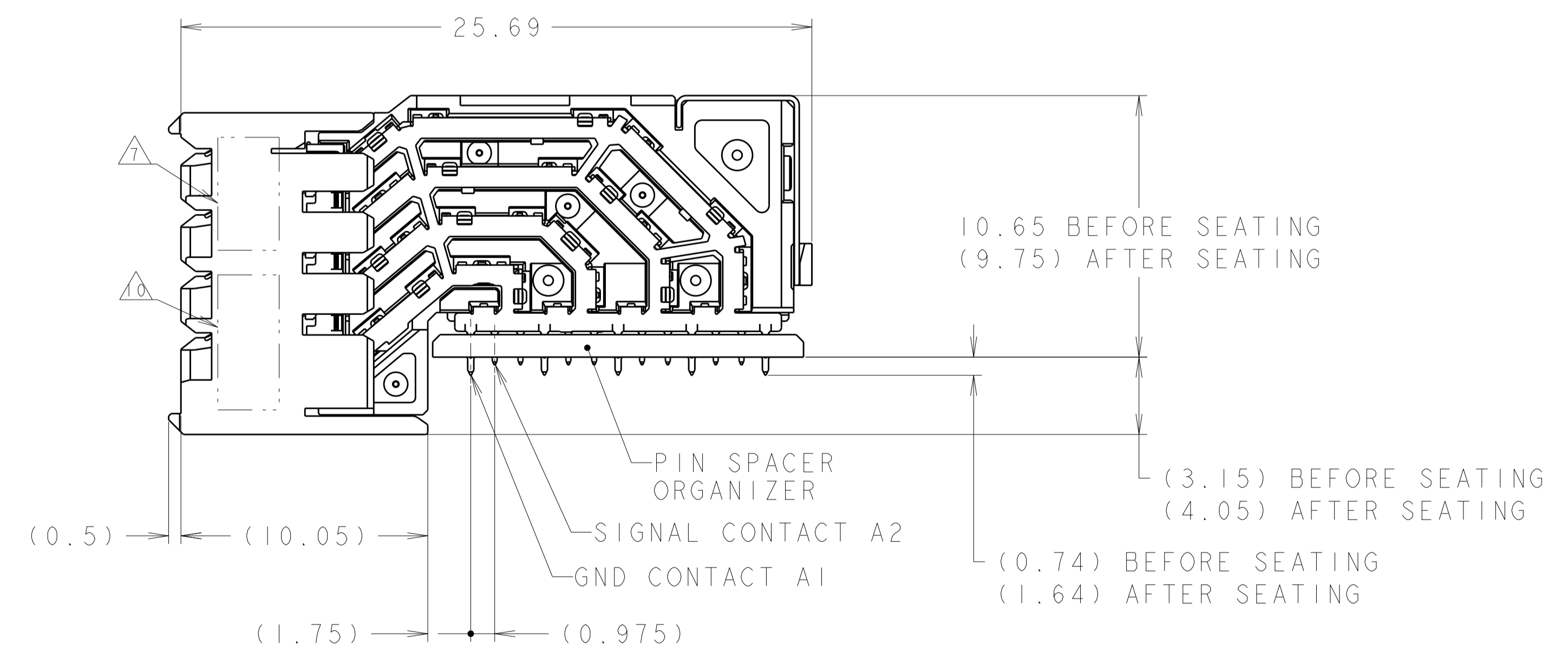
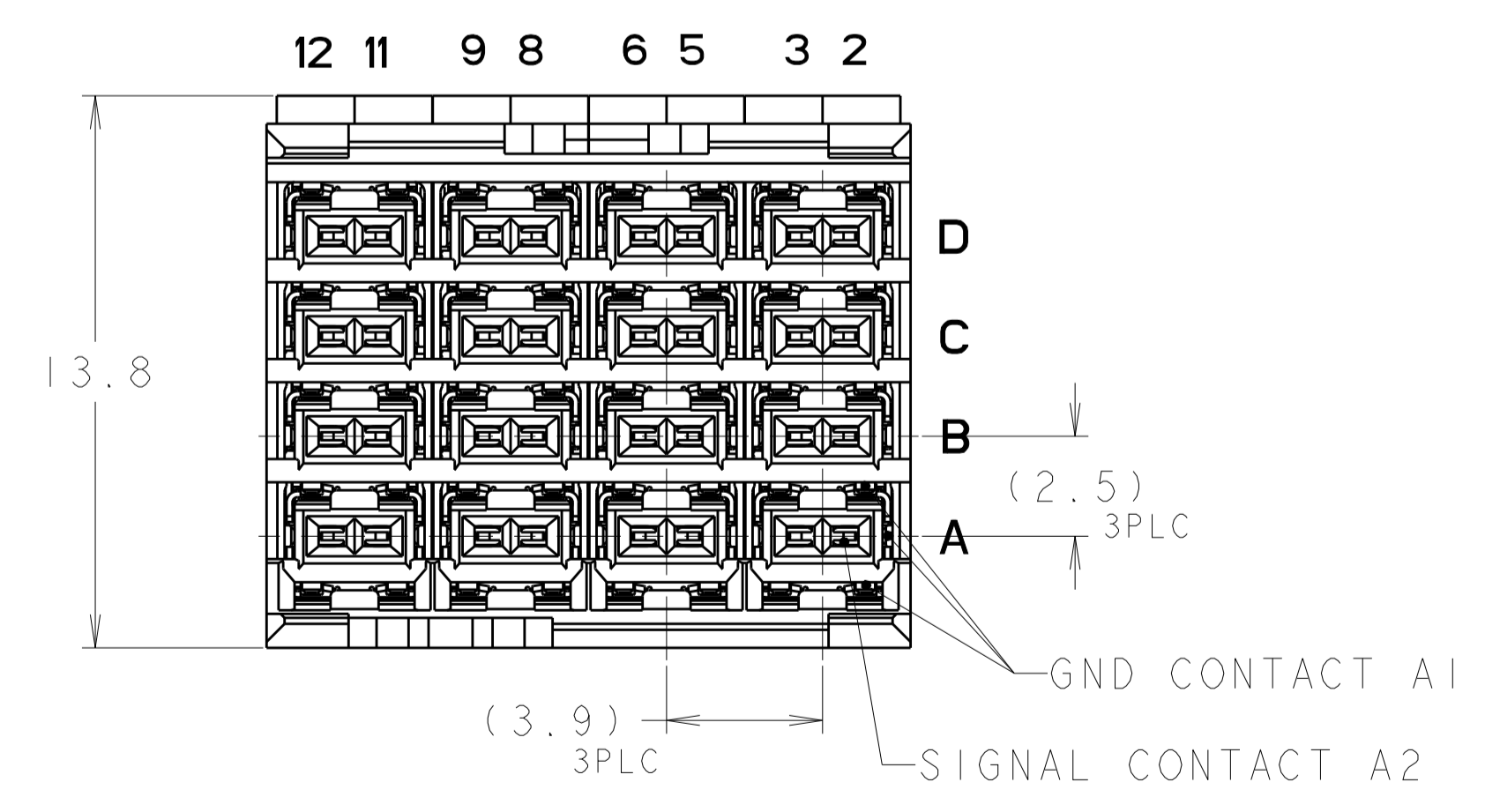
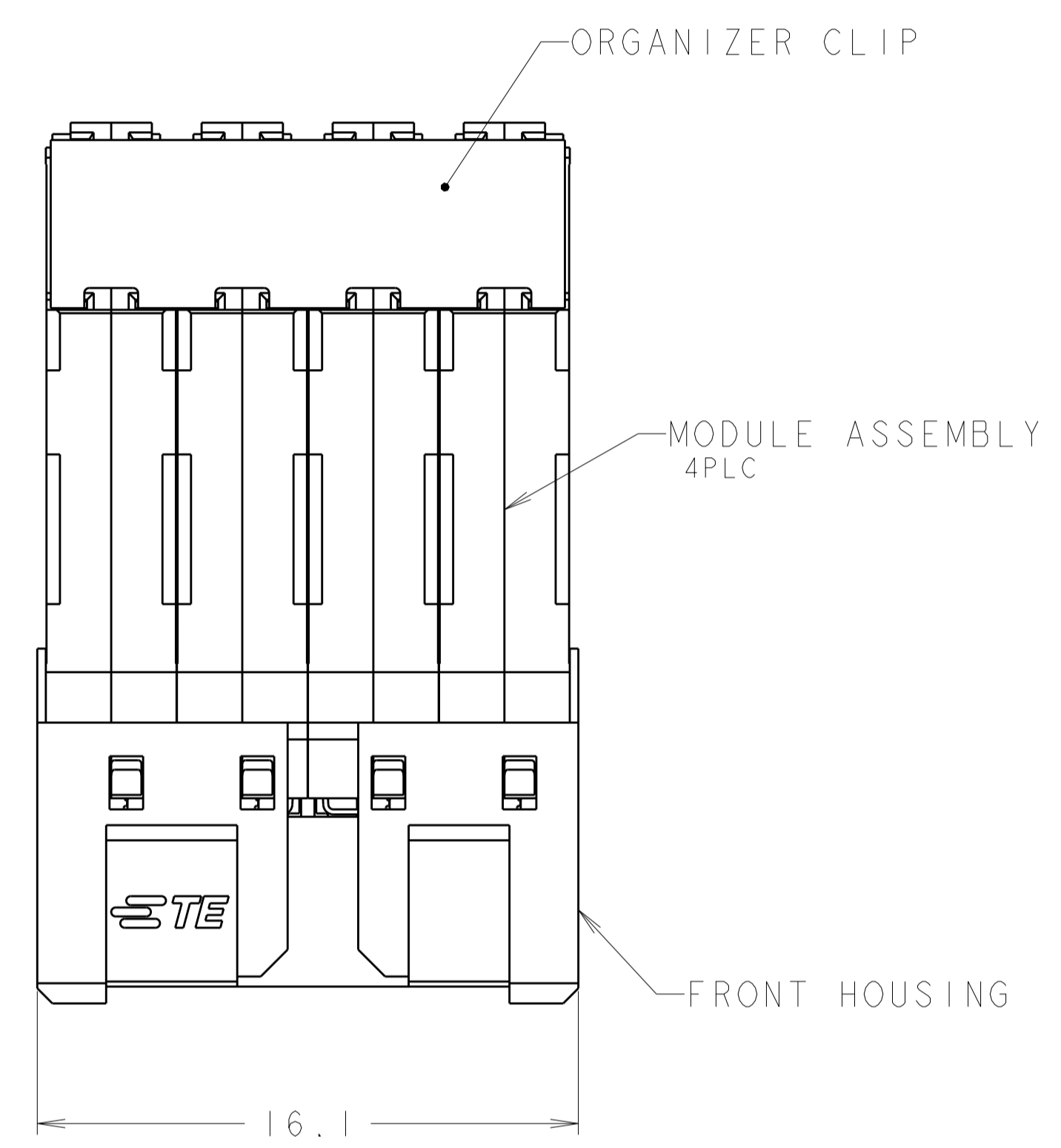


REVISIONS				
P.	LTN	DESCRIPTION	DATE	DWN APVD
A		RELEASED	16DEC2019	Y.K T.M
A1		REVISED	24DEC2019	Y.K T.M

- △ CONTACTS AND SHIELDS - COPPER ALLOY
 ORGANIZER - STAINLESS STEEL
 HOUSING AND PIN SPACER - THERMOPLASTIC, UL 94V-0, BLACK
- △ FINISH:
 CONFORMS TO THE REQUIREMENTS OF TE PRODUCT SPECIFICATION 108-140186
 BASED ON TELCORDIA GR-1217-CORE FOR SYSTEM QUALITY LEVEL III,
 APPLICATIONS IN CONTROLLED ENVIRONMENTS (CENTRAL OFFICE).
 COMPLIANT PIN AREA : 0.5um MIN MATTE TIN.
- △ GROUND PLATED THRU HOLE REQUIREMENTS:
 FINISHED HOLE = $\varnothing 0.37 \pm 0.05$
 HOLE SIZE PRIOR TO PLATING = $\varnothing 0.450 \pm 0.025$
 COPPER THICKNESS = 0.025 MIN
 IMMERSION TIN IF APPLICABLE = (0.00095)
- △ SIGNAL PLATED THRU HOLE REQUIREMENTS:
 FINISHED HOLE = $\varnothing 0.29 \pm 0.05$
 HOLE SIZE PRIOR TO PLATING = $\varnothing 0.368 \pm 0.025$ (#79 DRILL)
 COPPER THICKNESS = 0.025 MIN
 IMMERSION TIN IF APPLICABLE = (0.00095)
- △ SI VIA PLATED THRU HOLE REQUIREMENTS:
 FINISHED HOLE = AS REQUIRED
 HOLE SIZE PRIOR TO PLATING = $\varnothing 0.254 \pm 0.025$
 COPPER THICKNESS = 0.025 MIN
 IMMERSION TIN IF APPLICABLE = (0.00095)
- △ SIGNAL HOLES AND SI VIAS:
 PTH DIMMENSIONS APPLY TO THE TOP 1.00mm OF THE PCB THICKNESS FROM THE
 CONNECTOR MOUNTING SIDE.
 GROUND HOLES:
 PTH DIMMENSIONS APPLY TO THE TOP 1.25mm OF THE PCB THICKNESS FROM THE
 CONNECTOR MOUNTING SIDE.
- △ CONNECTOR MARKED WITH PART NUMBER, DATE CODE, AND "92 OHM" IN
 APPROXIMATE AREA SHOWN.
- △ DATUMS AND BASIC DIMENSIONS ESTABLISHED BY CUSTOMER
- △ APPLIES TO FINISHED HOLE DIAMETER
- △ DATAMATRIX BARCODE MARKING IN THIS AREA.

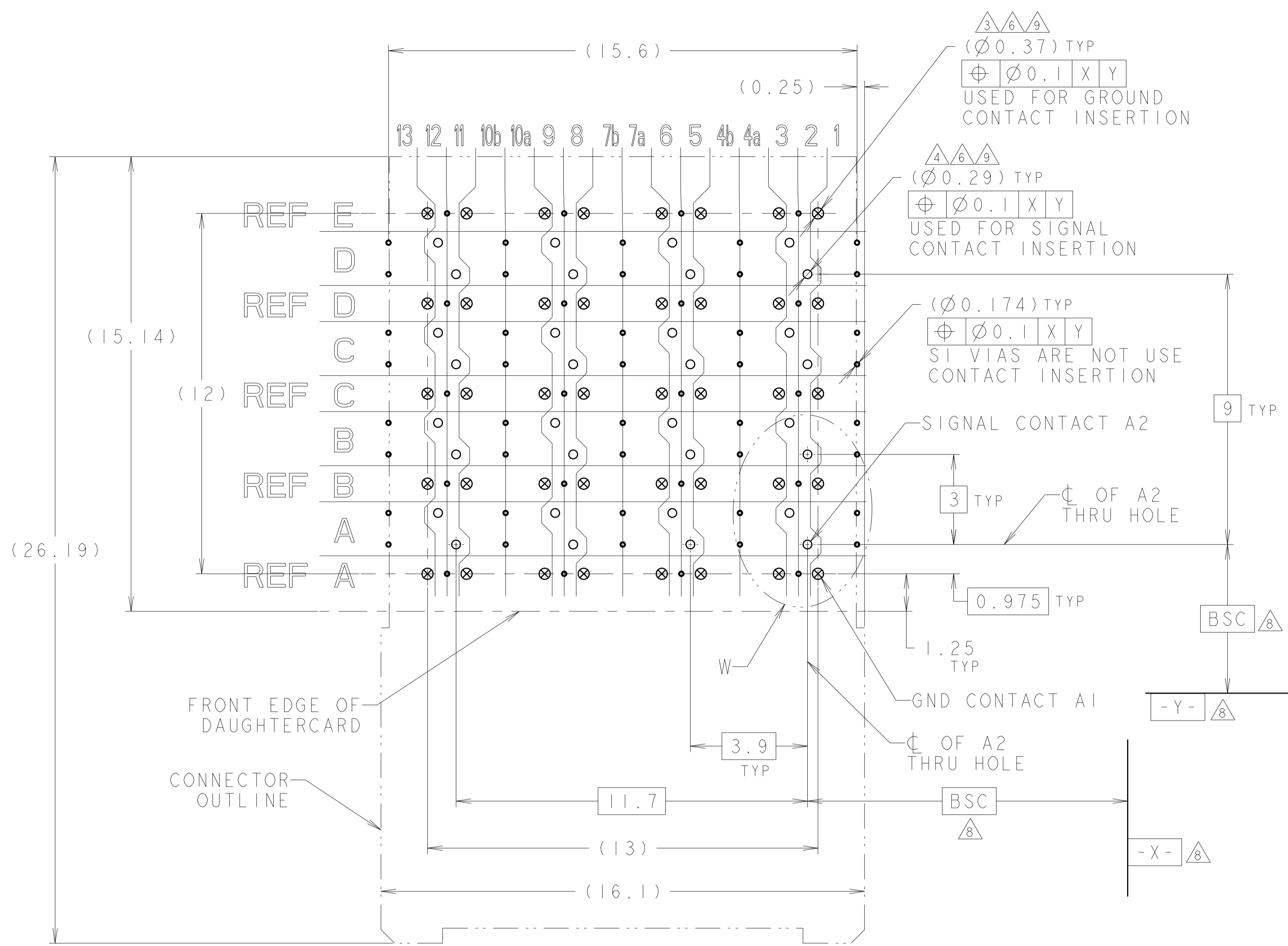


2356426-1
 PART NO

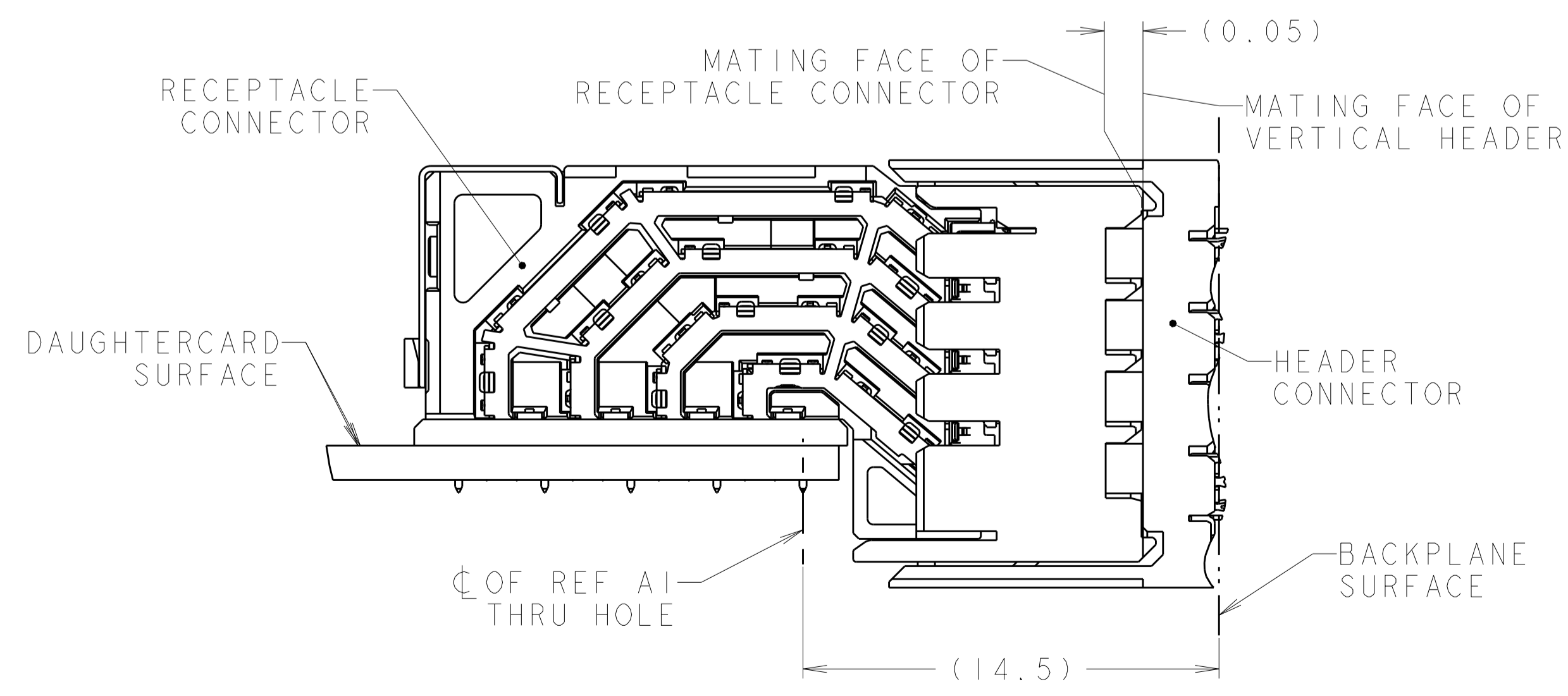
THIS DRAWING IS A CONTROLLED DOCUMENT.		DWN Y. KODAIRA 13MAY2019	TE Connectivity	
DIMENSIONS:		CHK M. IWASAKI 13MAY2019	NAME RIGHT ANGLE RECEPTACLE ASSEMBLY	
TOLERANCES UNLESS OTHERWISE SPECIFIED:		APVD T. MATSUDAIRA 13MAY2019	PRODUCT SPEC 108-140186	
mm	0 PLC ± 0.3 1 PLC ± 0.3 2 PLC ± 0.3 3 PLC ± 0.3 4 PLC ± 0.3	APPLICATION SPEC 114-32029	SIZE A1	
MATERIAL		WEIGHT	CAGE CODE 0079	DRAWING NO C-2356426
FINISH		RESTRICTED TO	SCALE 6:1	
CUSTOMER DRAWING		SHEET 1 OF 2		REV A1

○ = SIGNAL
 ⊗ = GROUND
 ⊙ = SIGNAL INTEGRITY VIA TO GROUND

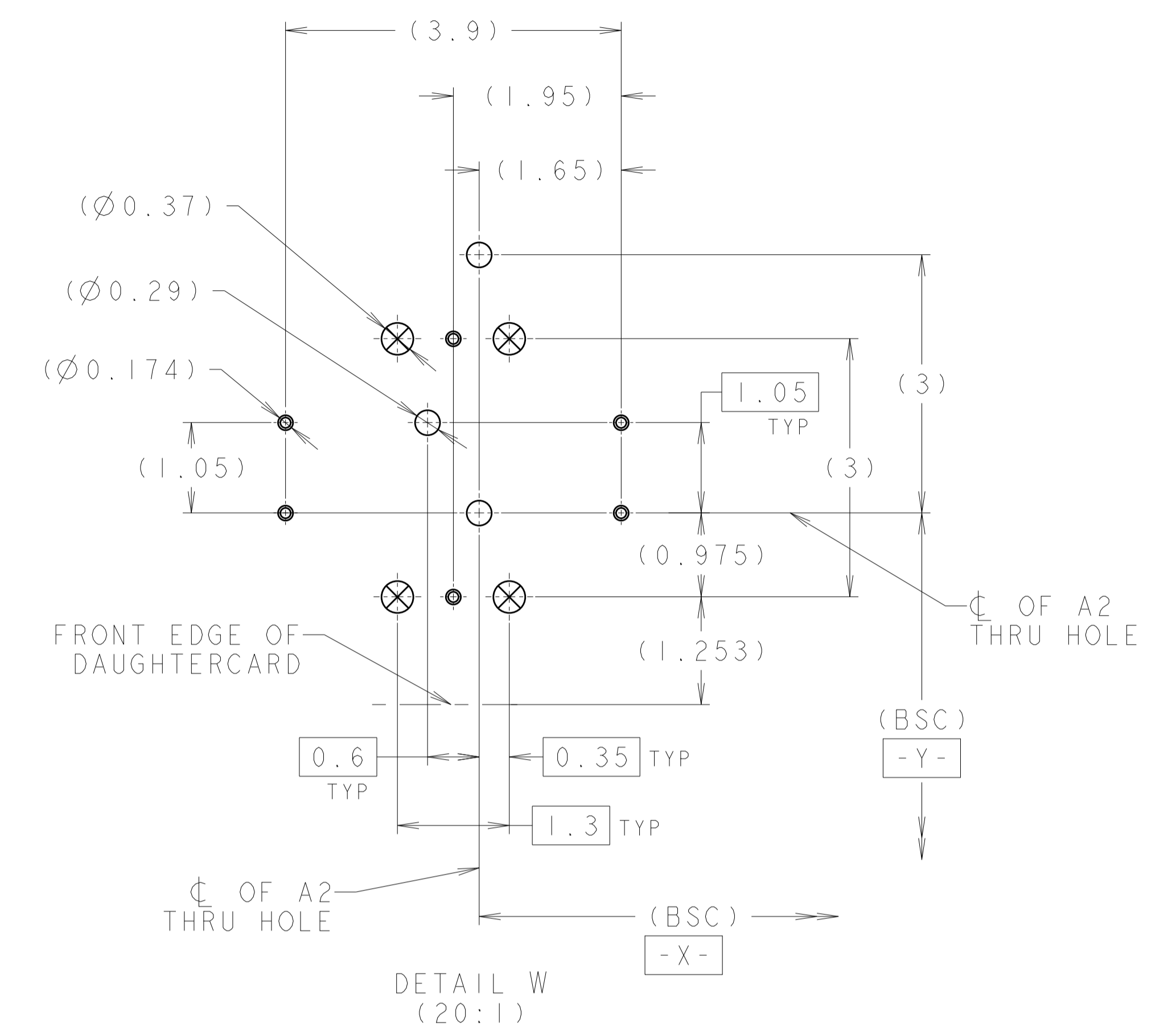
REVISIONS				
P.	LTN.	DESCRIPTION	DATE	APVD.
		SEE SHEET 1		



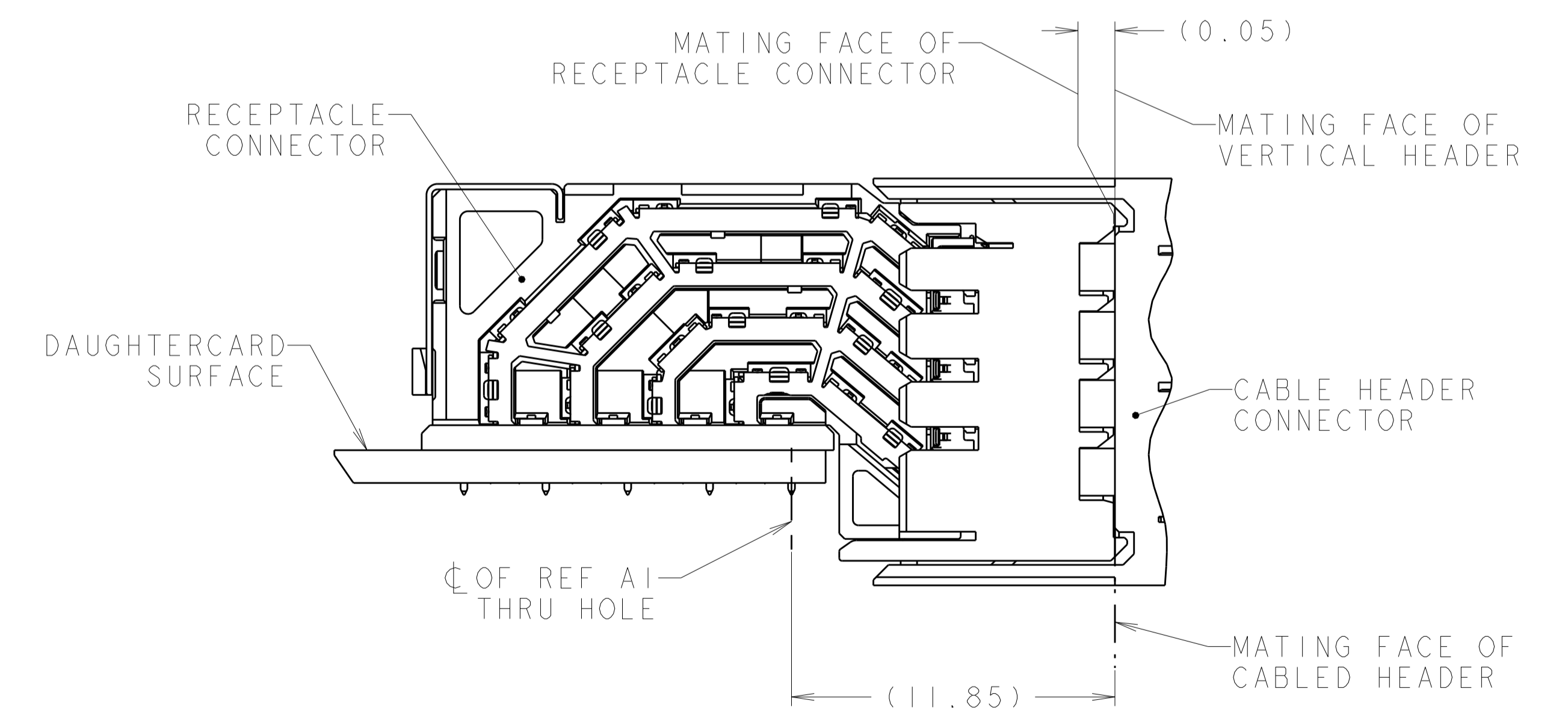
RECOMMENDED PCB LAYOUT
 COMPONENT SIDE SHOWN
 SCALE 10:1



MIDPLANE APPLICATIONS
 MATED ASSEMBLY (PARTIAL VIEW)



DETAIL W
 (20:1)



CABLED HEADER APPLICATIONS
 MATED ASSEMBLY (PARTIAL VIEW)

THIS DRAWING IS A CONTROLLED DOCUMENT.		DWN	TE Connectivity	
DIMENSIONS:		CHK	NAME	
mm	TOLERANCES UNLESS OTHERWISE SPECIFIED:	APVD	RIGHT ANGLE RECEPTACLE ASSEMBLY	
	0 PLC ±0.3	PRODUCT SPEC	4 PAIR 4 COLUMN, 92 OHM,	
	1 PLC ±0.3	APPLICATION SPEC	PAIR-IN-ROW, STRADA WHISPER R	
	2 PLC ±0.3	WEIGHT	SIZE	RESTRICTED TO
	3 PLC ±0.3		A1	0079 C=C-2356426
	4 PLC ±0.3	CUSTOMER DRAWING	SCALE	SHEET 2 OF 2
	ANGLES ±0.3°		5:1	REV A1