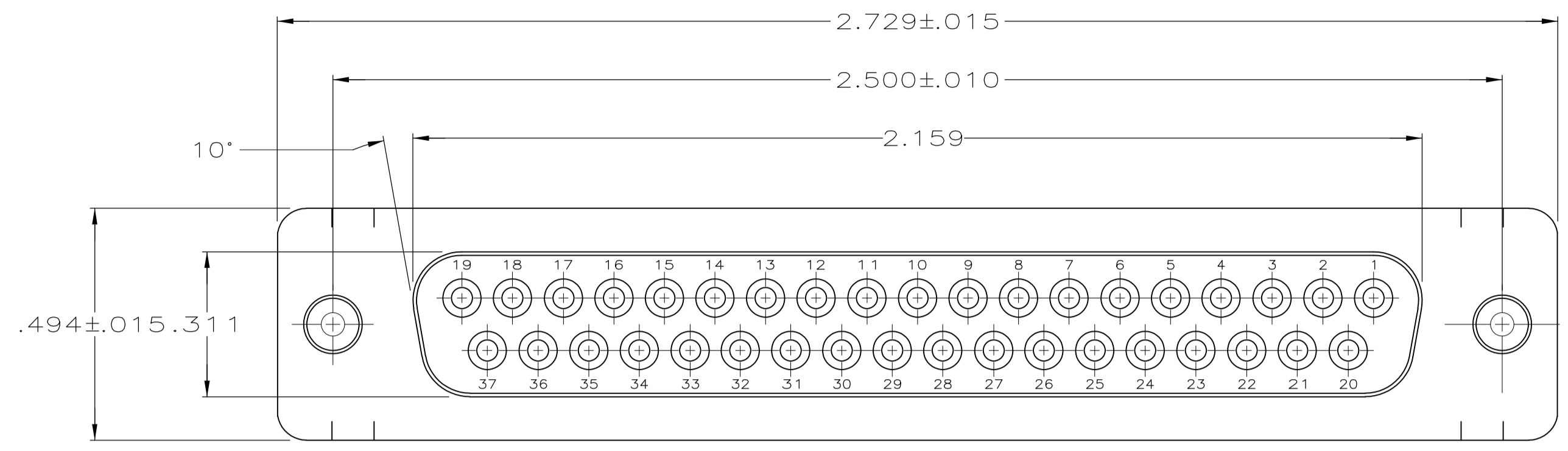
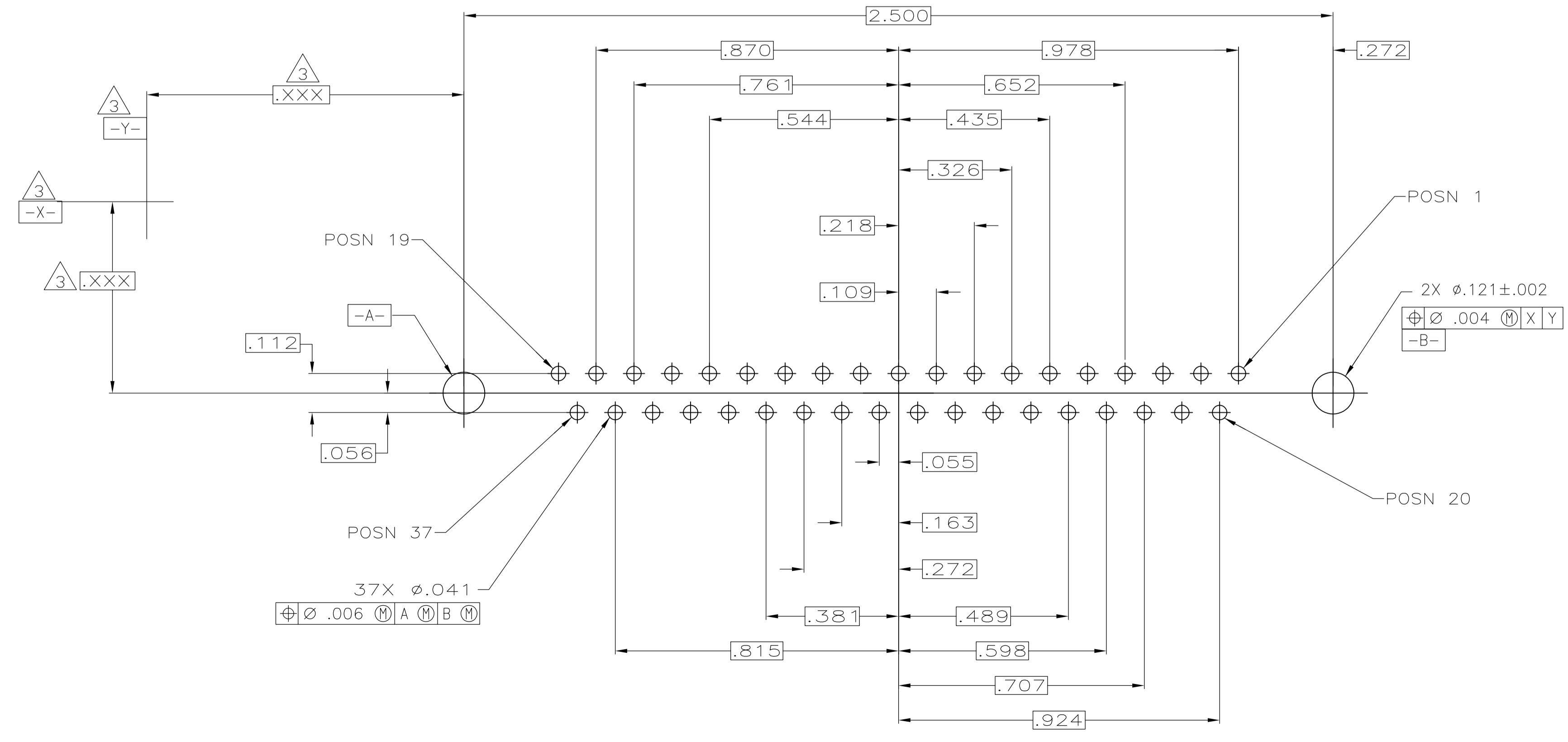
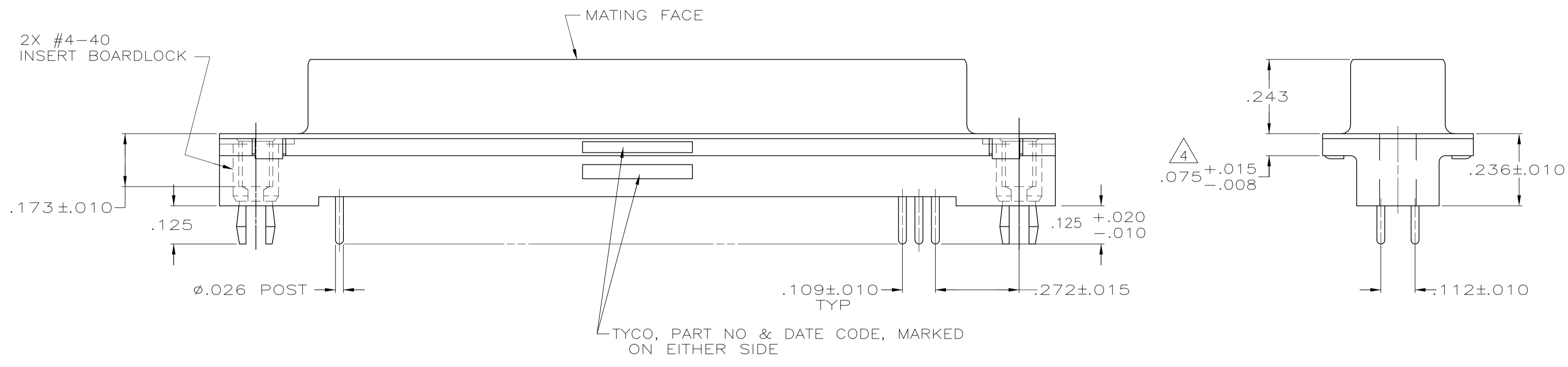


REVISIONS					
P	LTR	DESCRIPTION	DATE	DMN	APVD
B		REVISED PER ECO-16-001548	24FEB2016	AP	DG



- 1 HOUSING: POLYESTER, UL 94V-0 RATED, COLOR BLACK.
SHELL: CARBON STEEL.
CONTACTS: PHOS. BRONZE.
INSERT BOARDLOCKS: BRASS.
- 2 SHELL: .000200 MIN TIN OVER .000100 MIN COPPER.
CONTACTS: .000030 MIN GOLD FOR LENGTH OF .100 MIN FROM MATING END, .000100 MIN TIN ON TERMINATION END, ALL OVER .000050 MIN NICKEL ON ENTIRE CONTACT.
INSERT BOARDLOCKS: .000150 MIN TIN OVER .000100 MIN COPPER.
- 3 DATUMS AND BASIC DIMENSIONS ESTABLISHED BY CUSTOMER.
- 4 .110 MAX IN SHELL TAB CLINCH AREAS.



RECOMMENDED PC BOARD MOUNTING DIMENSIONS

2-5747709-0
PART NO

THIS DRAWING IS A CONTROLLED DOCUMENT.		DIN B LATTUCA 27SEPT05	TE Connectivity
DIMENSIONS: INCHES		CHK S BOLASH 27SEPT05	
TOLERANCES UNLESS OTHERWISE SPECIFIED:		APPD M WALMSLEY 27SEPT05	NAME
0 PLC ± -			RECEPTACLE ASSEMBLY, SIZE 4, 37 POS., VERTICAL, .026 DIA. POSTS, FRONT SHELL RETENTION INSERTS, AMPLIMITE HD-20
1 PLC ± -			PRODUCT SPEC
2 PLC ± -			108-40025
3 PLC ± .005			APPLICATION SPEC
4 PLC ANGLES ± -			114-40023
MATERIAL	FINISH	WEIGHT	SIZE
1	2	A1 00779	C=5747709
CUSTOMER DRAWING		SCALE 4:1	SHEET 1 OF 1 REV B