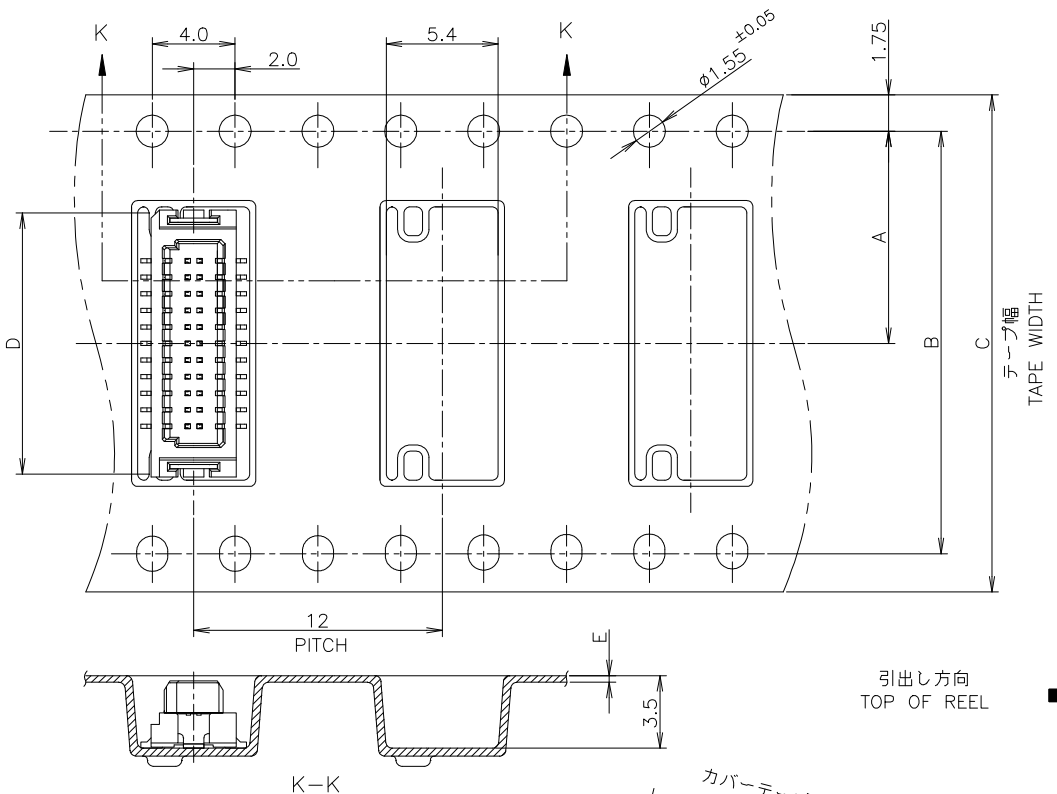
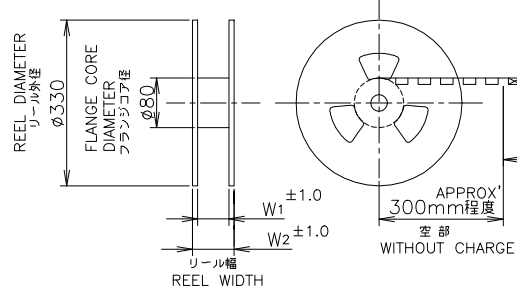


THIS DRAWING IS UNPUBLISHED. RELEASED FOR PUBLICATION DEC., 2004.
 © COPYRIGHT 2004 TE Connectivity Ltd. ALL RIGHTS RESERVED.

REVISIONS				
P	LTR	DESCRIPTION	DATE	APVD
B1		OBSOLETE 2-5917408-2 BY ECR-19-020018	2JAN2020	A.L H.L
B		ECR-13-012512	09AUG2013	IT WKH



引出し方向
TOP OF REEL →



カバーテープ
リーダー部
外周一巻
AROUND THE COVER TAPE
PERIPHERY IN
A TURN.
剝離角度, 165°~180°
PEELING ANGLE.



	NATURAL	48.7	45.5	0.4	28.4	44	40.4	20.2	1000	60	6-5917408-0
① OBSOLETE	NATURAL	29.5	25.5	0.38	13.2	24	11	11.5	1000	22	2-5917408-2
② OBSOLETE	BLACK	22	18	0.5	8.4	16	7.5	7.5	1000	10	1-5917408-0
	COLOR	W2	W1	E	D	C	B	A	数量 QTY/REEL	極数 POS	リール巻 コネクタ型番 TAPING P/N

THIS DRAWING IS A CONTROLLED DOCUMENT.

DIMENSIONS: 単位: 耗 mm

TOLERANCES UNLESS OTHERWISE SPECIFIED: 一般公差

0 PLC ±
1 PLC ±
2 PLC ±
3 PLC ±
4 PLC ±
ANGLES ±

FINISH 仕上

MATERIAL 材料

GENERAL TOLERANCE 一般公差
10 ≥ ±0.2
30 ≥ > 10: ±0.25
100 ≥ > 30: ±0.3
ANGLES: ±3°

DWN M.IWASAKI 27DEC04
CHK Y.NAKAZAWA 27DEC04
APVD T.KUSUHARA 27DEC04

NAME 名称
ON TAPING EMBOSS
0.8mm PITCH B-TO-B CONN
RECEPTACLE ASSEMBLY WITH KEY & BOSS

APPLICATION SPEC 取付適用規格
WEIGHT

SIZE A3 CAGE CODE 00779 DRAWING NO. 番号 G=5917408 RESTRICTED TO

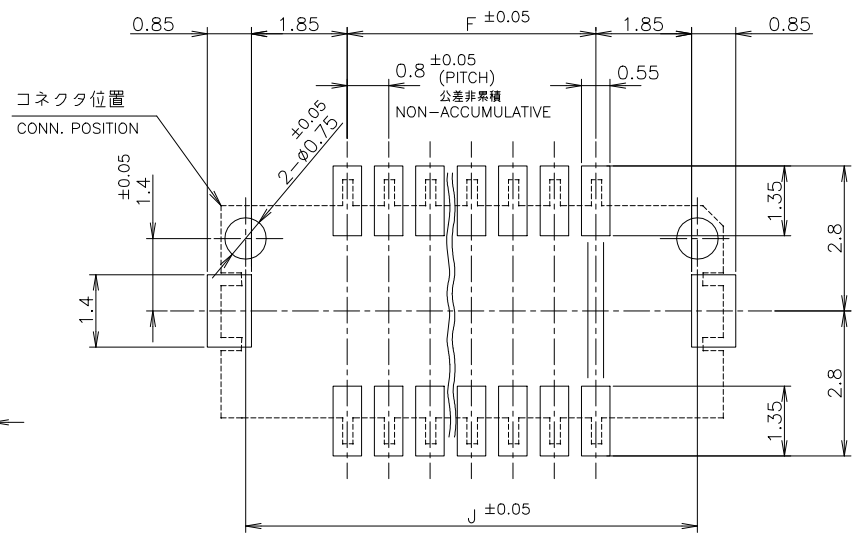
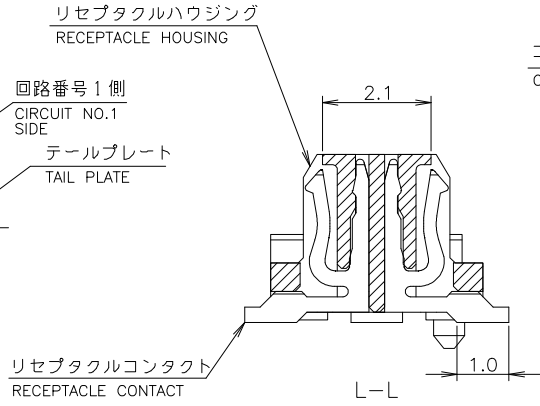
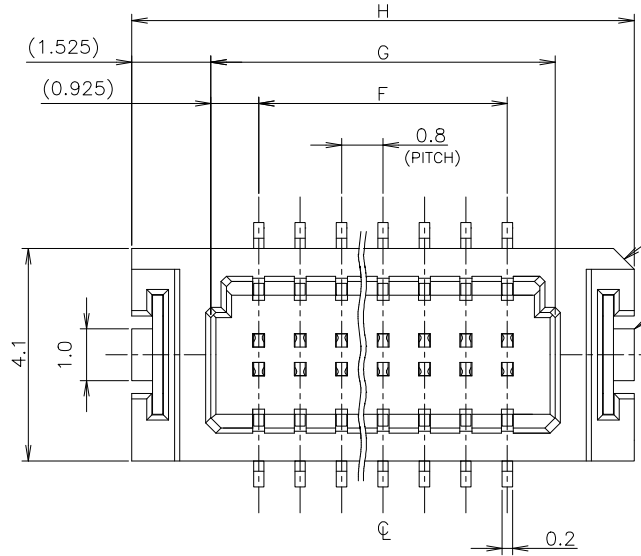
CUSTOMER DRAWING SCALE 尺度 4:1 SHEET 1 OF 2 REV B1



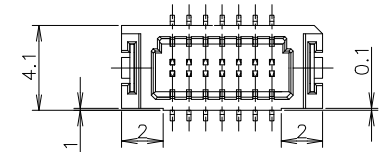
THIS DRAWING IS UNPUBLISHED. RELEASED FOR PUBLICATION DEC. 2004.
 © COPYRIGHT 2004 TE Connectivity Ltd. ALL RIGHTS RESERVED.

P		LTR		REVISIONS 変更	DATE	DWN	APVD
				DESCRIPTION			
				SEE SHEET 1			

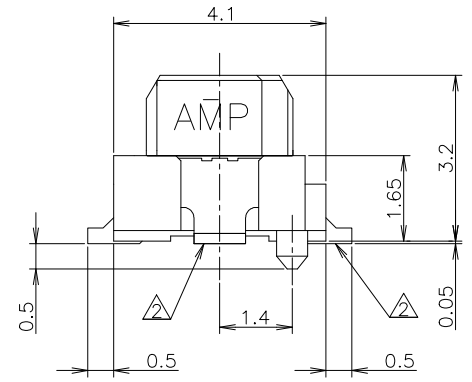
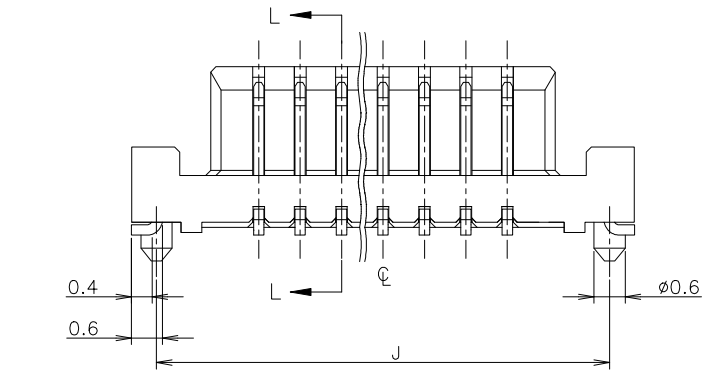
本図: コネクタ図
 AS SHOWN: CONNECTOR DWG



参考基板加工寸法
 REFERENCE P.C BOARD LAYOUT



SCALE 4:1
 AS SHOWN: 1-5917408-0 ONLY



- 1 材料: リセプタクルハウジング: 46ナイロン (耐熱性樹脂)
- リセプタクルコンタクト: 銅合金 (t=0.2mm) 金めっき
- テールプレート: 銅合金 (t=0.2mm) 鍍めっき

△ 全てのタイン部及びテールプレートのバラツキは 0.1mm MAX.

- 1 MATERIAL
- REC HOUSING: 46 NYLON (HIGH HEAT-RESISTED RESIN)
- REC CONTACT: COPPER-ALLOY (t=0.2mm) Au PLATING
- TAIL PLATE: COPPER-ALLOY (t=0.2mm) TIN PLATING

△ MISALIGNMENT BETWEEN TAINS AND TAIL PLATE: 0.1mm MAX.

GENERAL TOLERANCE
 一般公差

10 ≥ :	±0.2
30 ≥ > 10:	±0.25
100 ≥ > 30:	±0.3
ANGLES:	±3°

THIS DRAWING IS A CONTROLLED DOCUMENT.

DIMENSIONS: 単位: 耗 mm	TOLERANCES UNLESS OTHERWISE SPECIFIED: 一般公差
	0 PLC ±
	1 PLC ±
	2 PLC ±
	3 PLC ±
	4 PLC ±
	ANGLES ±
MATERIAL 材料	FINISH 仕上

INSTRUCTION SHEET
 取扱説明書 411-5808

DWN
 CHK
 APVD

PRODUCT SPEC
 製品規格 108-5512

APPLICATION SPEC
 取付適用規格

WEIGHT

CUSTOMER DRAWING

27.15	28.1	25.05	23.2	60	6-5917408-0
11.95	12.9	9.85	8.0	22	2-5917408-2
7.15	8.1	5.05	3.2	10	1-5917408-0
J	H	G	F	極数 POS	型番 PART NO

TE TE Connectivity Ltd.

ON TAPING EMBOSS
 0.8mm PITCH B-TO-B CONN
 RECEPTACLE ASSEMBLY WITH KEY & BOSS

SIZE A3	CAGE CODE 00779	DRAWING NO 番号 G=5917408	RESTRICTED TO
------------	--------------------	-------------------------------	---------------

SCALE 尺度 10:1 SHEET 2 of 2 REV B1