

4

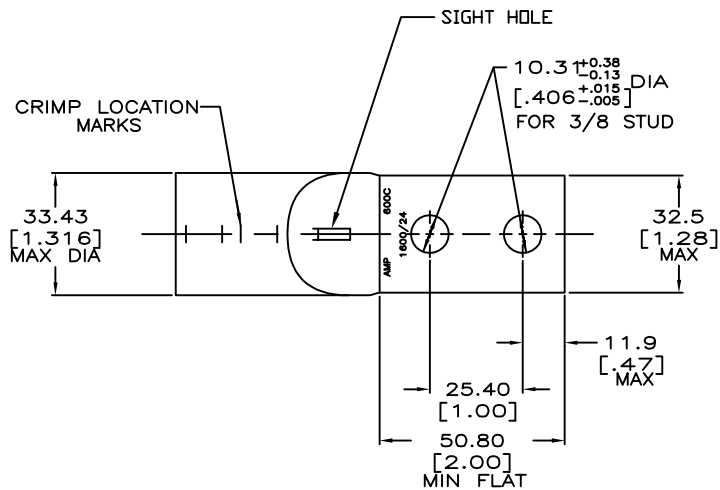
3

2

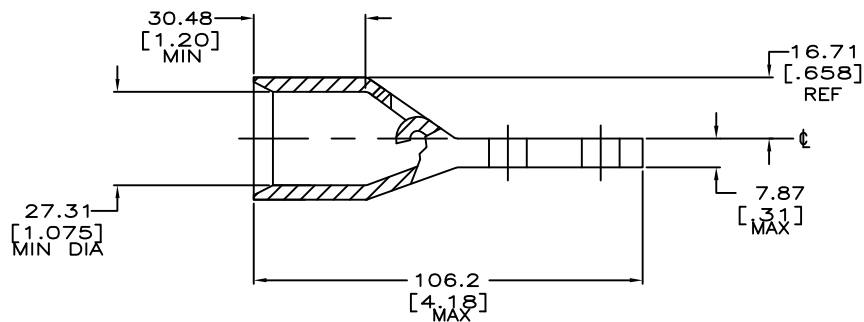
1

THIS DRAWING IS UNPUBLISHED. RELEASED FOR PUBLICATION
 © COPYRIGHT - By - ALL RIGHTS RESERVED.

LOC	DIST	REVISIONS				
P	LR	DESCRIPTION	DATE	DM	APD	
G	86	F	REV PER ECR-13-007004	25APR2013	PK	HK



- 1 TIN PL 0.00381[.000150] MIN THK PER MIL-T-10727
- 2 CIRCULAR MIL RANGE: 550-650 MCM
- 3 COPPER PER ASTM B-75, ANNEALED



REQUIRED	1	276918-3
NONE	1	276918-1
SIGHT HOLE	FINISH	PART NO.

DIMENSIONS:		TOLERANCES UNLESS OTHERWISE SPECIFIED:		APPROVED		NAME	
MM [INCHES]		0 PLC	± -	DRW	DK SCHRUM	10/15/91	
		1 PLC	± -	CHK	AJ KAUFMAN	10/16/91	
		2 PLC	± 0.51[.020]	APD	WJ VOCKROTH	10/16/91	
		3 PLC	± -	PRODUCT SPEC			
		4 PLC	± -	APPLICATION SPEC			
		ANGLES	± -	WEIGHT			
FINISH		SEE TABLE		SIZE		CAGE CODE	DRAWING NO
-		3		A2		00779	C=276918
MATERIAL				CUSTOMER DRAWING		SCALE	SHEET
						1:1	1 of 1
						REV	F

STE TE Connectivity
 TERMINAL, AMPPOWER,
 WIRE SIZE: 304.0mm[600]MCM

276918