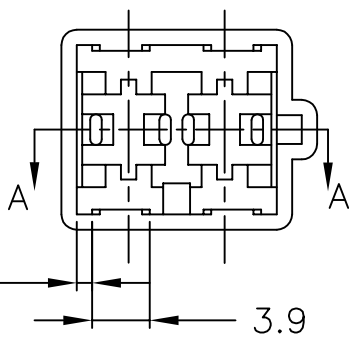
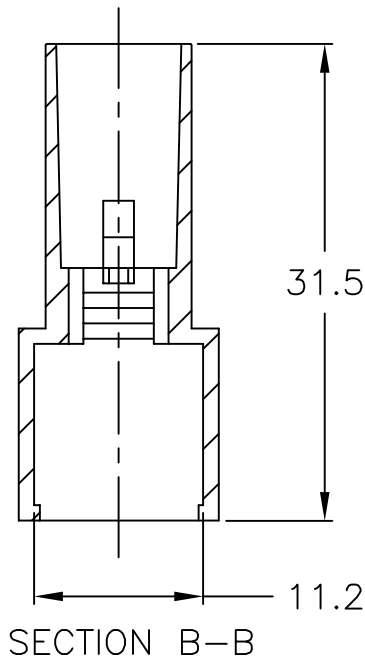
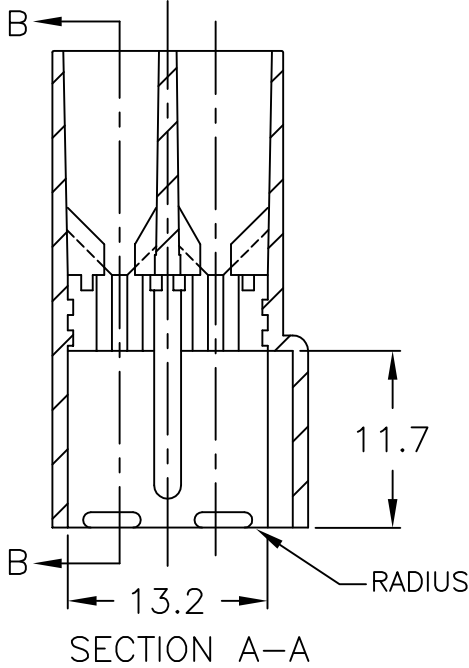
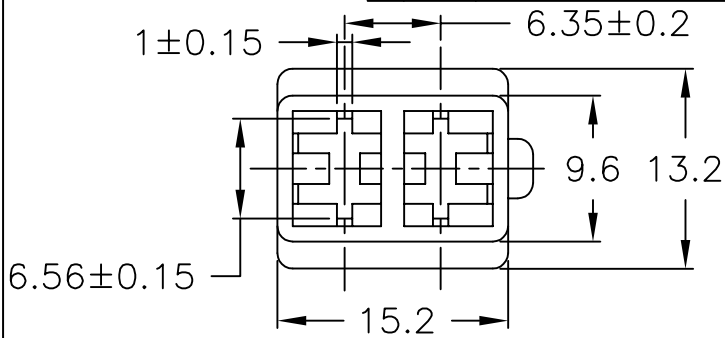


REVISIONS					
P	LTR	DESCRIPTION	DATE	DWN	APVD
	L	REDRAWN PER ECR-17-015744	25OCT2017	BDA	GG



OBSOLETE PARTS: OBSOLETE CIS STREAMLINING PER D.RENAUD/D.SINISI



OBSOLETE

	BLACK	NYLON 6/6	280542-5
	RED		280542-1
	NATURAL		280542-0
NOTES	COLOUR	MATERIAL	PART NUMBER

RELEASED FOR PUBLICATION

ALL RIGHTS RESERVED.

THIS DRAWING IS UNPUBLISHED.

COPYRIGHT - TE Connectivity

DIMENSIONS:
mm

DWN BASAVARAJA D A 25OCT2017

MATERIAL SEE TABLE

FINISH SEE TABLE

TOLERANCES UNLESS OTHERWISE SPECIFIED:

CHK GUNASEKHAR G 25OCT2017

APVD GUNASEKHAR G 25OCT2017



TE Connectivity

PRODUCT SPEC

NAME
2 WAY .250
SRS FASTIN-ON TAB HSG

APPLICATION SPEC

SIZE CAGE CODE DRAWING NO RESTRICTED TO

WEIGHT

A4 00779 C-280542

CUSTOMER DRAWING

SCALE 2:1 SHEET 1 OF 1 REV L

