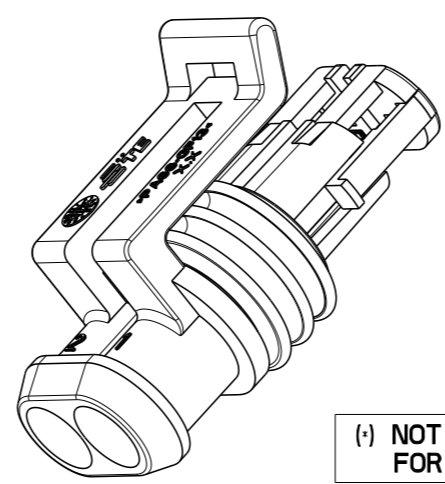
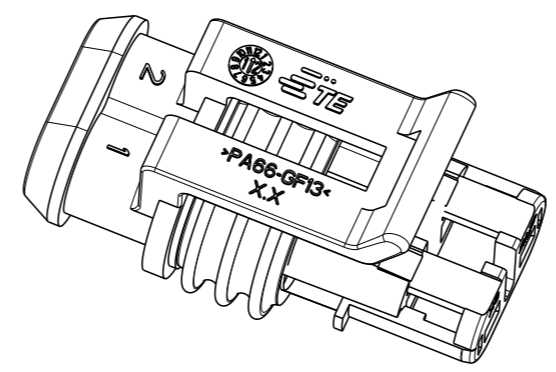
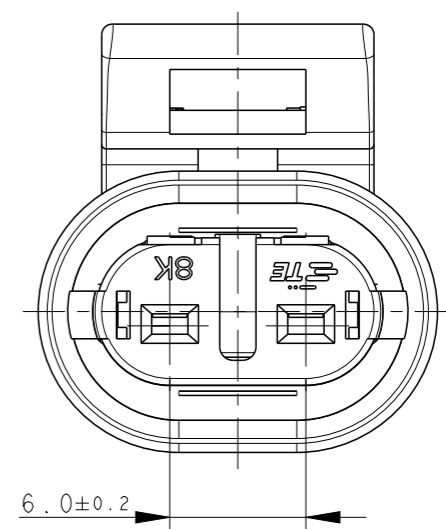
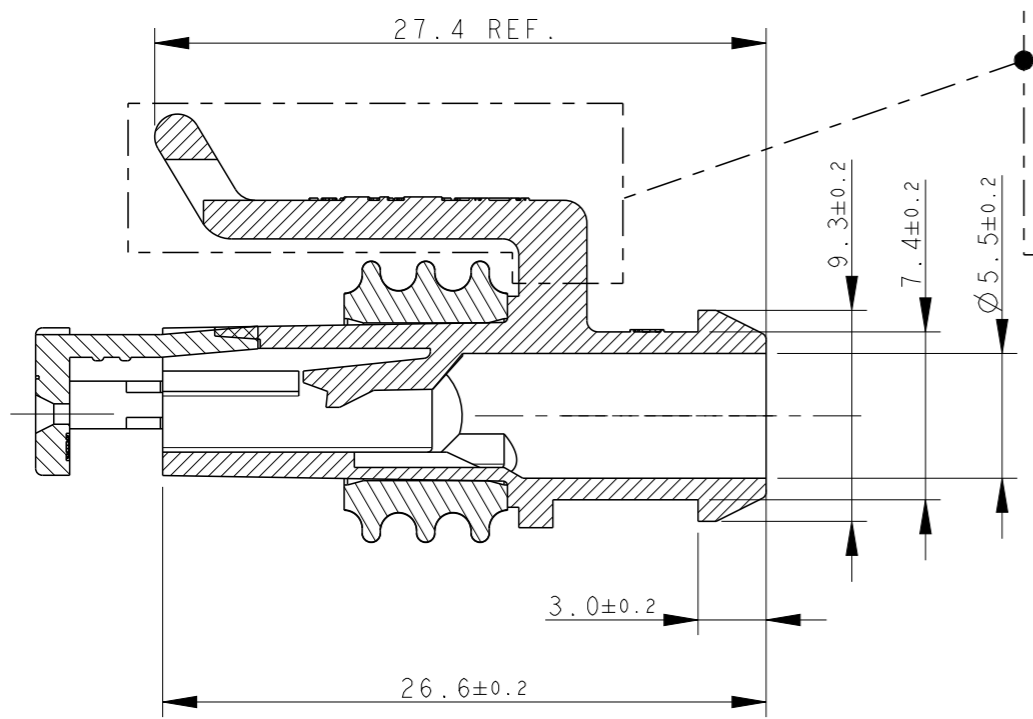
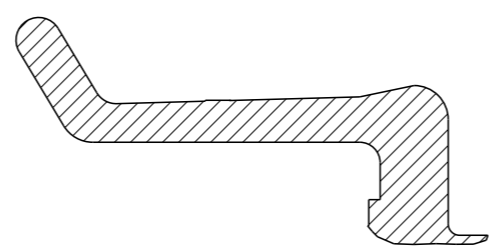


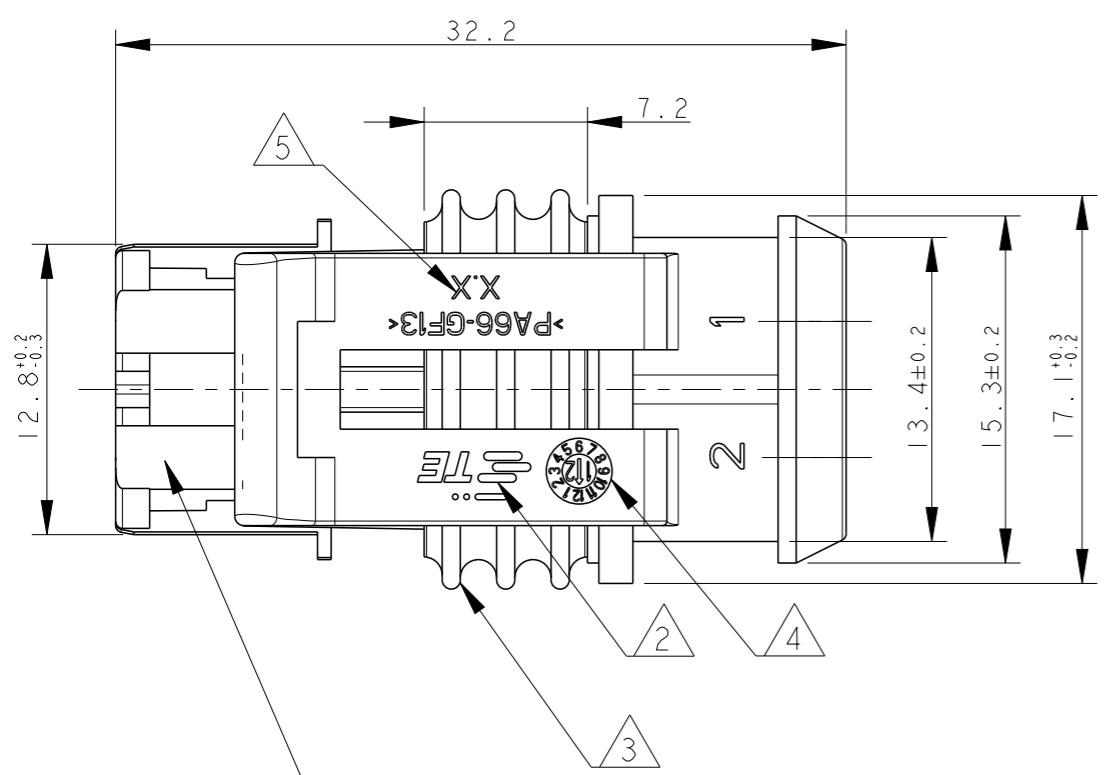
REVISIONS

P	LTR	DESCRIPTION	DATE	DWN	APVD
D2		ADDED FSL SEAL VERSION (ECO-15-016364)	13NOV2015	M.G.	M.G.
D3		REVISED PER ECO-17-001706	10FEB2017	C.A.	M.G.
D4		REVISED PER ECO-19-017338	15NOV2019	AP	VN

ALTERNATIVE DESIGN OF LOCKING LANCE



- 1) FOR COUNTERPART DETAILS, SEE SHEET 2 OF 2
- 2) TE CONNECTIVITY TRADE MARK, (IN ALTERNATIVE: "AMP" LOGO, OR "Tyco Electronics" LOGO)
- 3) SEALING (COLOUR YELLOW FOR LSR VERSION) (COLOUR WHITE FOR FSL VERSION)
- 4) DATECODE (OPTIONAL IN OLD MOULDS).
- 5) MOULD/MOULD CAVITY NUMBER



(*) NOT YET RELEASED FOR PRODUCTION

PRE-ASSEMBLED SECONDARY LOCK (COLOUR RED/WHITE)

FINISH/COLOR	MATERIAL	PART NUMBER
HSG-WHITE, SL-WHITE	ACC. TO IEC 60335-1 HSG+SL: PA66GF20 UL94-V2 SEALING: LSR	1745096-1
HSG-BLACK, SL-RED	HOUSING+SEC.LOCK:PA66-GF SEALING: FSL	1-282080-1 (*)
HSG-BROWN, SL-RED	HOUSING+SEC.LOCK:PA66-GF SEALING: LSR	282080-4
HSG-GREEN, SL-RED		282080-3
HSG-GRAY, SL-RED		282080-2
HSG-BLACK, SL-RED		282080-1

THIS DRAWING IS A CONTROLLED DOCUMENT.

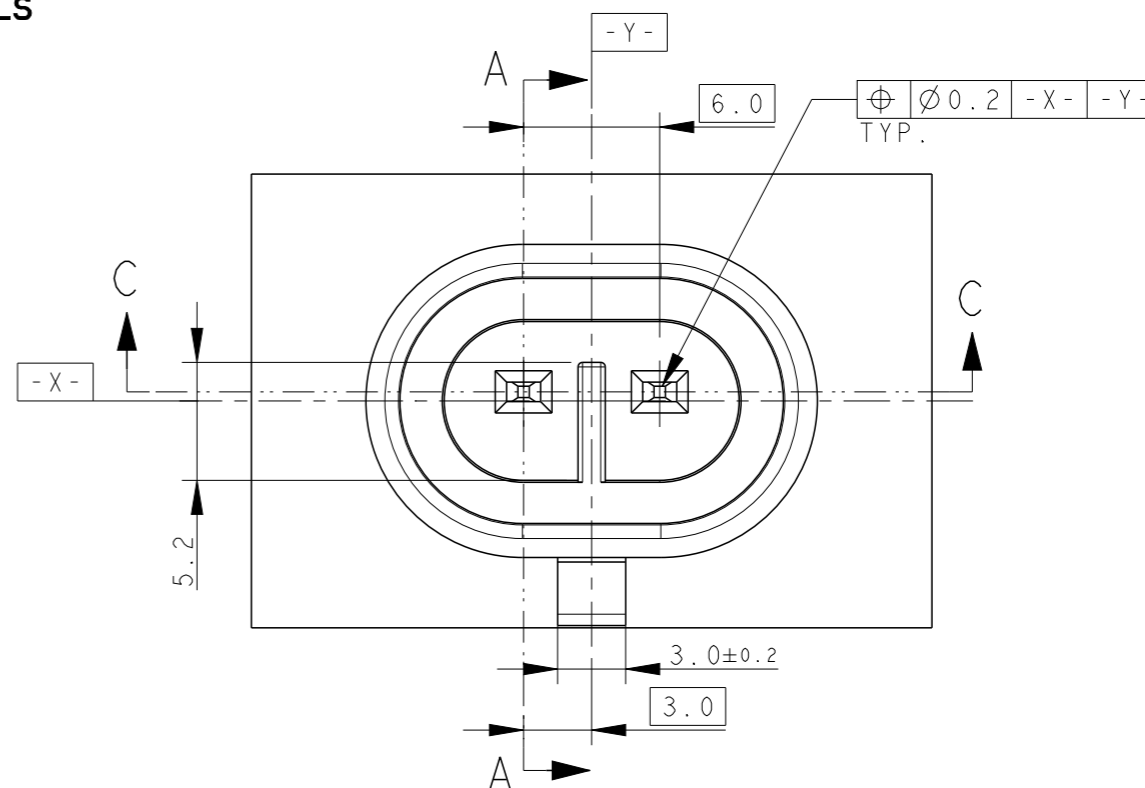
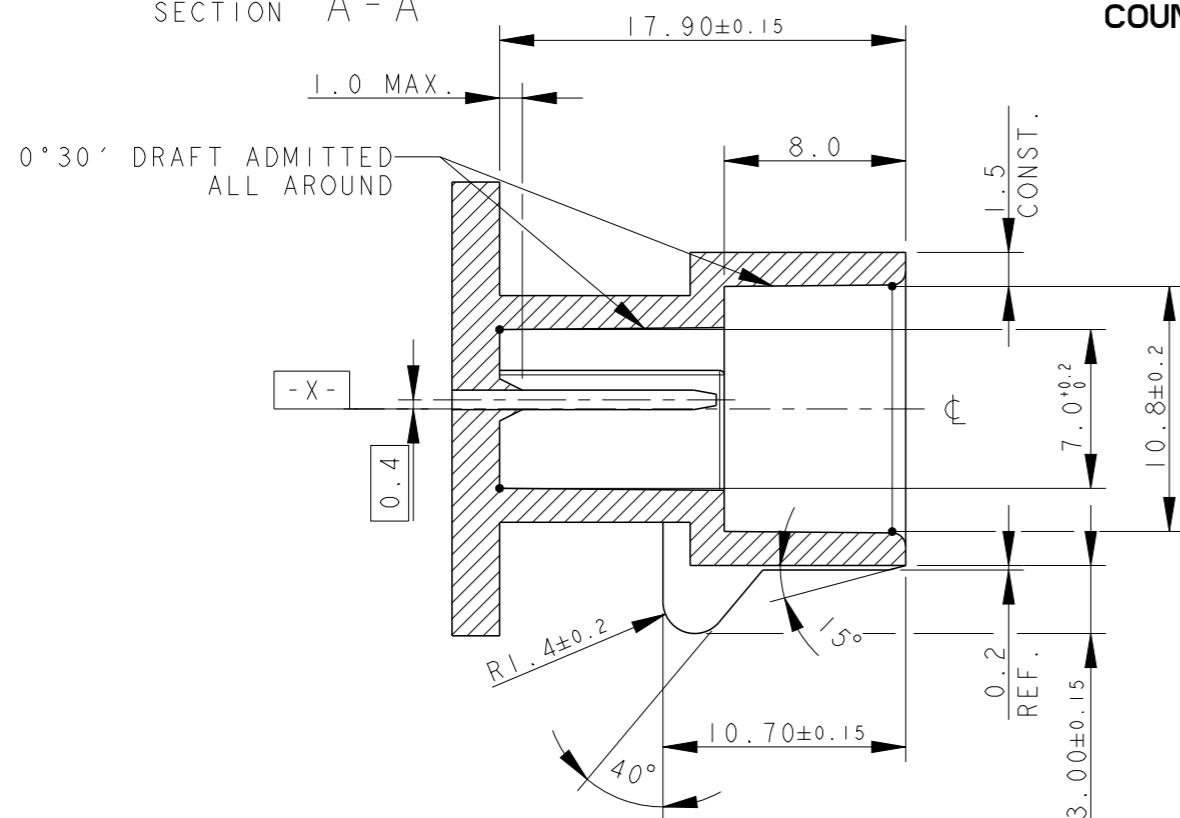
DWN C. BERTINI 05-1992	NAME -	TE Connectivity AMP SUPERSEAL 1.5 SRS. 2 POSITIONS PLUG ASS'Y
CHK A. BRUNI 05-1992		
APVD -	PRODUCT SPEC 108-20090	SIZE A3
MATERIAL -	APPLICATION SPEC 412-20000	CAGE CODE 300779
DIMENSIONS: mm	WEIGHT 2.60gr	DRAWING NO C-282080
TOLERANCES UNLESS OTHERWISE SPECIFIED: 0 PLC ± 1 PLC ±0.3 2 PLC ± 3 PLC ± 4 PLC ± ANGLES ±2°	FINISH -	RESTRICTED TO -
SEE TABLE	SEE TABLE	SCALE 3:1
	Customer Drawing	SHEET 1 OF 2
		REV D4

REVISIONS

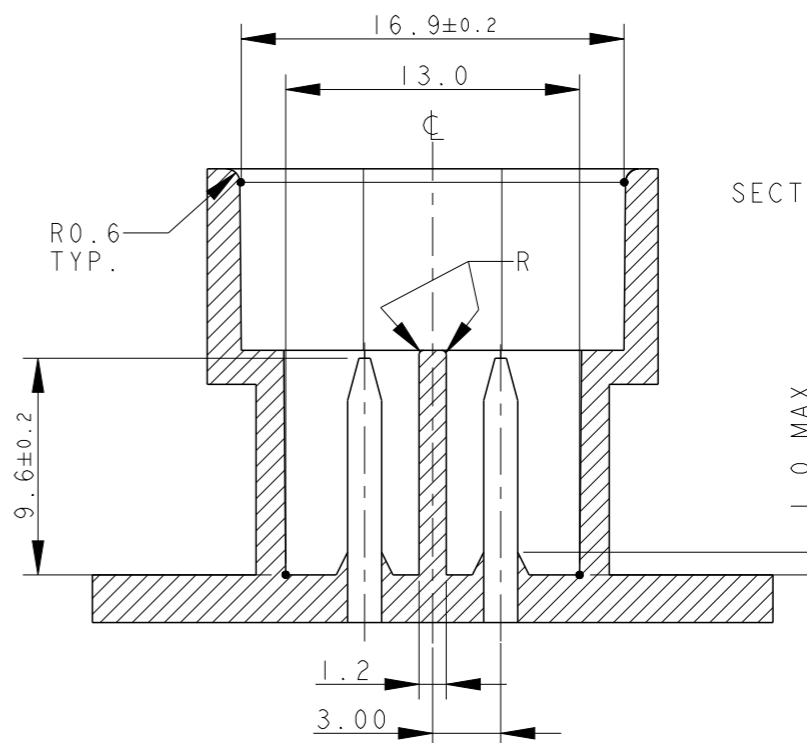
P	LTR	DESCRIPTION	DATE	DWN	APVD
-	-	SEE SHEET 1	-	-	-

SECTION A - A

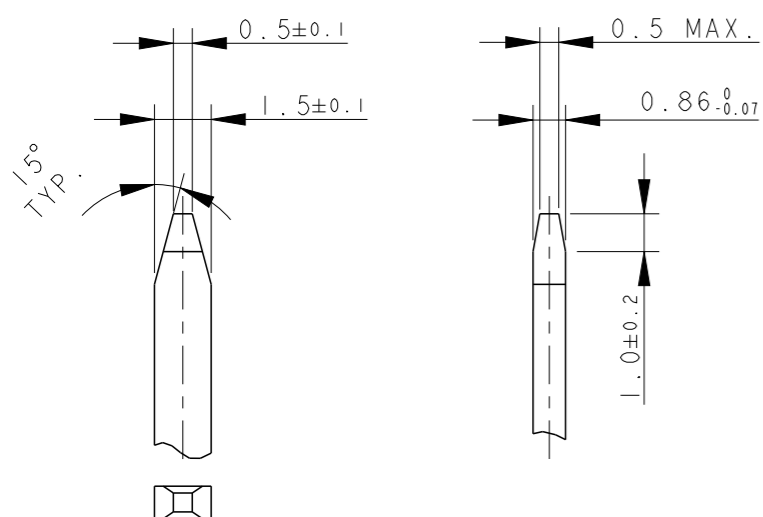
COUNTERPART DETAILS



SECTION C - C



TAB DETAILS



MATERIALS: PA66-GF FOR HOUSING
 TIN PLATED BRASS FOR TABS
 FOR PN 1745096-1; COUNTER PART MATL
 PA66-GF ACC TO IEC60335-1
 PRODUCT SPEC: 108-20090-2

THIS DRAWING IS A CONTROLLED DOCUMENT.

DWN C. BERTINI 05-1992

CHK A. BRUNI 05-1992

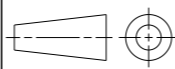
APVD -

NAME -

DIMENSIONS: mm

TOLERANCES UNLESS OTHERWISE SPECIFIED:

- 0 PLC ±0.3
- 1 PLC ±0.1
- 2 PLC ±0.05
- 3 PLC ±
- 4 PLC ±
- ANGLES ±2°



PRODUCT SPEC 108-20090

APPLICATION SPEC 412-20000

WEIGHT 2.60gr



AMP SUPERSEAL 1.5 SRS. 2 POSITIONS PLUG ASS'Y

SIZE CAGE CODE DRAWING NO RESTRICTED TO

A300779 C-282080

Customer Drawing SCALE 5:1 SHEET 2 OF 2 REV D4