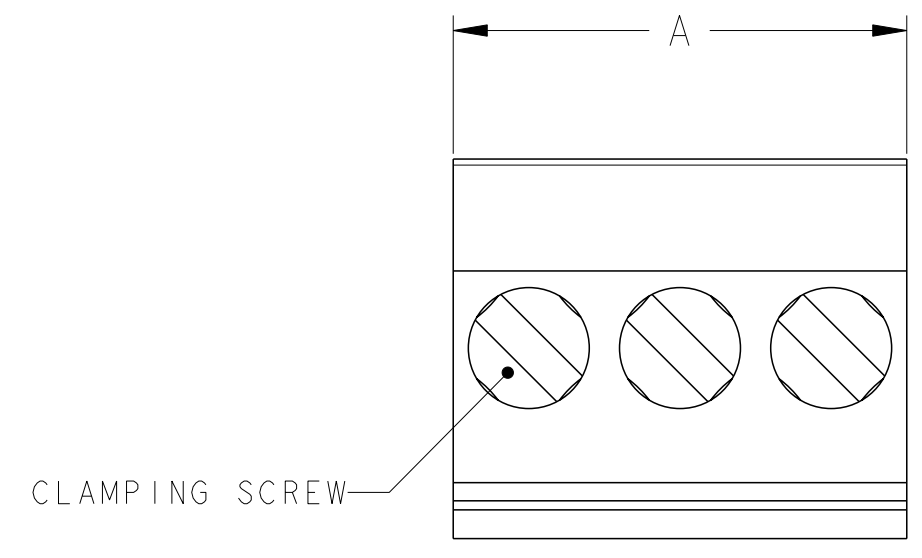


THIS DRAWING IS UNPUBLISHED. RELEASED FOR PUBLICATION 20  
 © COPYRIGHT 20 BY - ALL RIGHTS RESERVED.

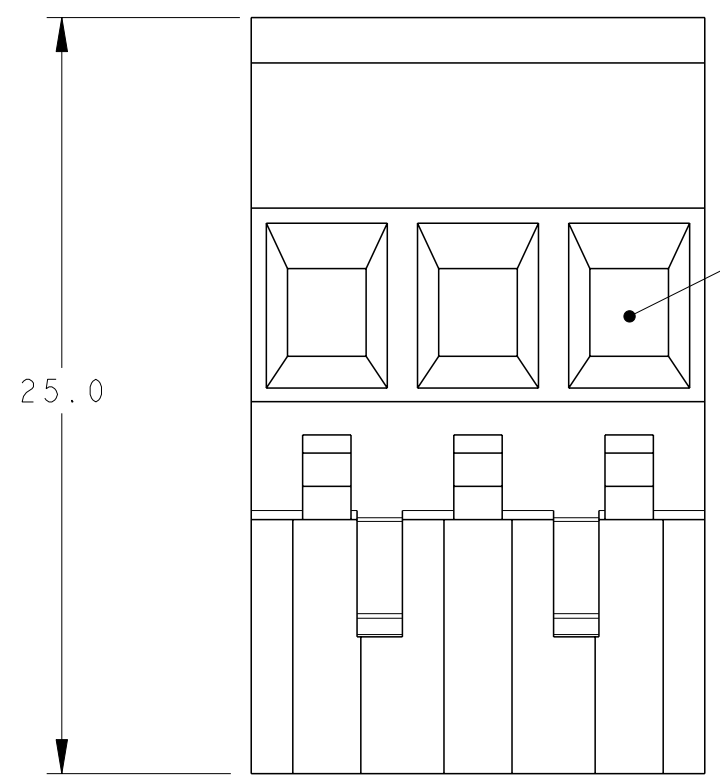
REVISIONS				
P	LTR	DESCRIPTION	DATE	DWN APVD
E4		PART 3-284046-7 RELEASED FOR PRODUCTION	19FEB2019	RK PS

- MATERIALS AND FINISH**  
 HOUSING : PA 6-6, UL 94-V0, COLOR: GREEN.  
 CAGE CLAMP : COPPER ALLOY, NICKEL PLATED.  
 CONTACT SPRING : COPPER ALLOY, TIN PLATED.  
 CLAMPING SCREW : M3, COPPER ALLOY, NICKEL PLATED.
- MECHANICAL**  
 RECOMMENDED TIGHTENING TORQUE : 0.5 Nm  
 WIRE STRIPPING LENGTH : 6 - 7.5 mm  
 INSERTION FORCE PER POLE : MAX 3 N  
 WITHDRAWAL FORCE PER POLE : MIN 1.5 N.
- ELECTRICAL**  
 WIRE RANGE : 12-30 AWG  
 VOLTAGE RATING : 300 V  
 CURRENT RATING : 15 A  
 CONTACT RESISTANCE : <15 m Ohm  
 INSULATION RESISTANCE : > 1000 M Ohm (500V DC)

- △4 NOT CUMULATIVE TOLERANCE.
- 5. INK MARKING, COLOR: BLACK.
- △6 WIRE ENTRY CLOSED
- △7 PRELIMINARY - NOT RELEASED FOR PRODUCTION
- △8 HOUSING: PA 6-6, UL 94-V0, COLOR:YELLOW



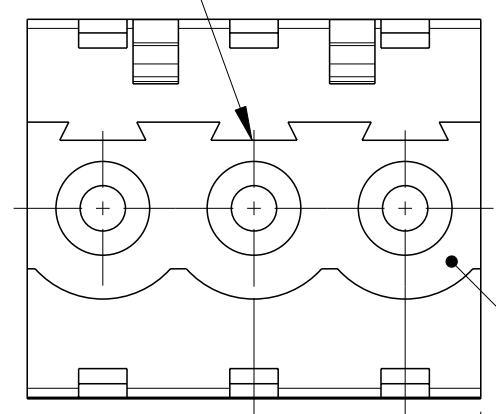
CLAMPING SCREW



WIRE ENTRY

25.0

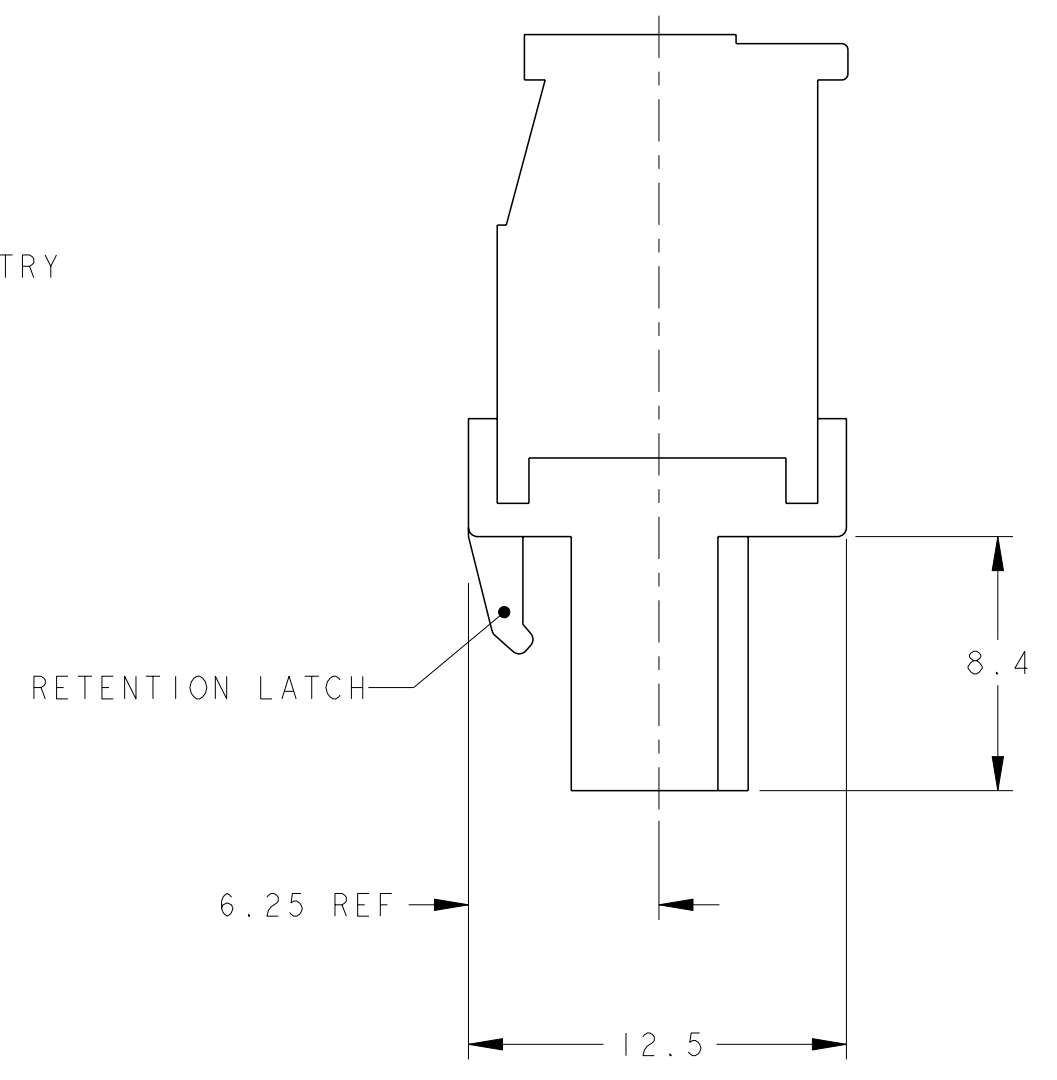
POLARIZATION KEY SLOT



MATING FACE

2.50 REF TYP

△4  
5.00±0.05 TYP



RETENTION LATCH

8.4

6.25 REF

12.5

CONTACT FINISH	MARKING	A	NO OF POSN	PART NUMBER
TIN PLATED	SEE SHEET 2	25.0	5	3-284046-7
TIN PLATED	-	15.0	3	3-284046-6
TIN PLATED	SEE SHEET 3	70.0	14	3-284046-5
TIN PLATED	SEE SHEET 3	50.0	10	3-284046-4
TIN PLATED	SEE SHEET 3	90.0	18	3-284046-3
TIN PLATED	SEE SHEET 3	80.0	16	3-284046-2
TIN PLATED	SEE SHEET 2	15.0	3	3-284046-1
TIN PLATED	SEE SHEET 2	10.0	2	3-284046-0
0.00076[.000030] SELECT GOLD	SEE SHEET 2	25.0	5	2-284046-9
-	-	25.0	5	2-284046-8
-	SEE SHEET 2	65.0	13	2-284046-7
-	SEE SHEET 2	40.0	8	2-284046-6
-	-	125.0	25	2-284046-5
-	-	120.0	24	2-284046-4
-	-	115.0	23	2-284046-3
-	-	110.0	22	2-284046-2
-	-	105.0	21	2-284046-1
-	-	100.0	20	2-284046-0
-	-	95.0	19	1-284046-9
-	-	90.0	18	1-284046-8
-	-	85.0	17	1-284046-7
-	-	80.0	16	1-284046-6
-	-	75.0	15	1-284046-5
-	-	70.0	14	1-284046-4
-	-	65.0	13	1-284046-3
-	-	60.0	12	1-284046-2
-	-	55.0	11	1-284046-1
-	-	50.0	10	1-284046-0
-	-	45.0	9	284046-9
-	-	40.0	8	284046-8
-	-	35.0	7	284046-7
-	-	30.0	6	284046-6
-	-	25.0	5	284046-5
-	-	20.0	4	284046-4
-	-	15.0	3	284046-3
-	-	10.0	2	284046-2

OBSOLETE

TIN PLATED

THIS DRAWING IS A CONTROLLED DOCUMENT.

DWN S. WELDON 05FEB2003  
 CHK C. RICHARD 05FEB2003  
 APVD C. RICHARD 05FEB2003

**STE** TE Connectivity

NAME: TERMINAL BLOCK, VERTICAL PLUG, STACKING, RIGHT HAND, 5.00mm PITCH

SIZE: A2 CAGE CODE: 0779 DRAWING NO: C-284046 RESTRICTED TO: 4

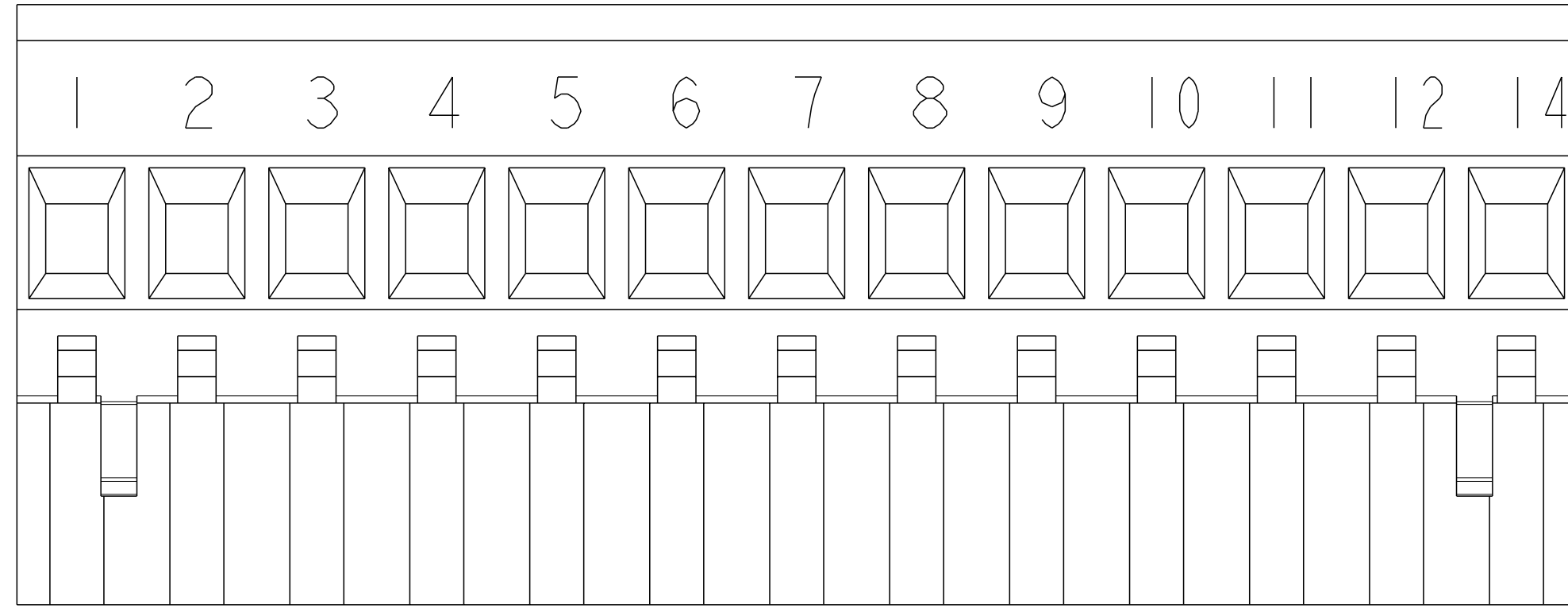
MATERIAL: SEE NOTES DIMENSIONS: mm TOLERANCES UNLESS OTHERWISE SPECIFIED: 0 PLC ±, 1 PLC ±0.30, 2 PLC ±0.25, 3 PLC ±, 4 PLC ±, ANGLES ±2° FINISH: SEE NOTES

PRODUCT SPEC: - APPLICATION SPEC: - WEIGHT: -

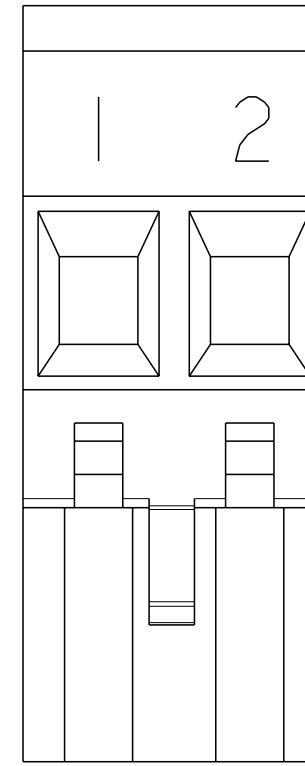
CUSTOMER DRAWING SCALE: 4:1 SHEET 1 OF 3 REV E4

THIS DRAWING IS UNPUBLISHED. RELEASED FOR PUBLICATION 20  
 © COPYRIGHT 20 BY - ALL RIGHTS RESERVED.

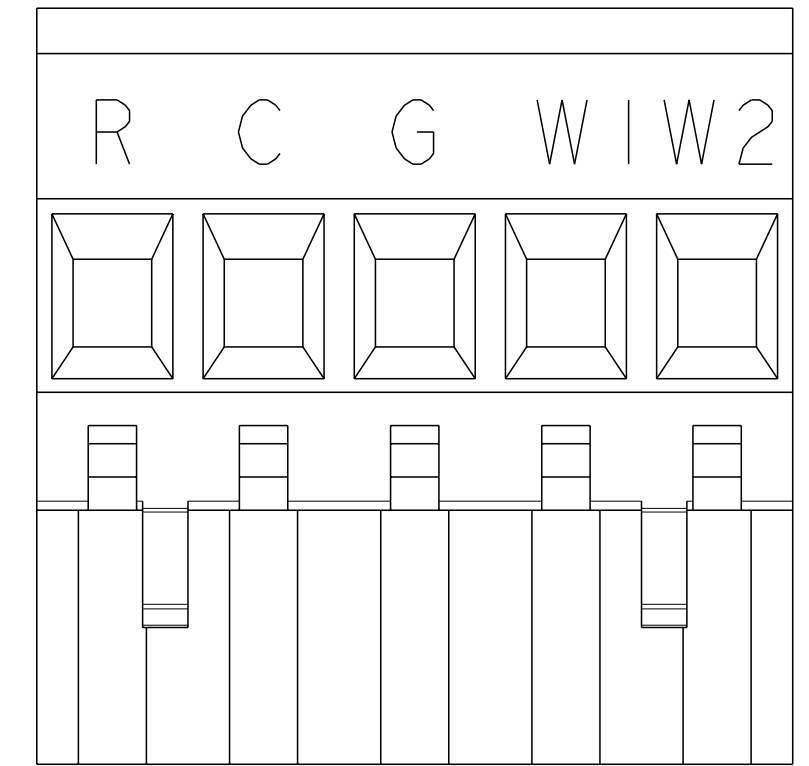
LOC	DIST	REVISIONS					
FT	0	P	LTR	DESCRIPTION	DATE	DWN	APVD
		-		SEE SHEET 1	-	-	-



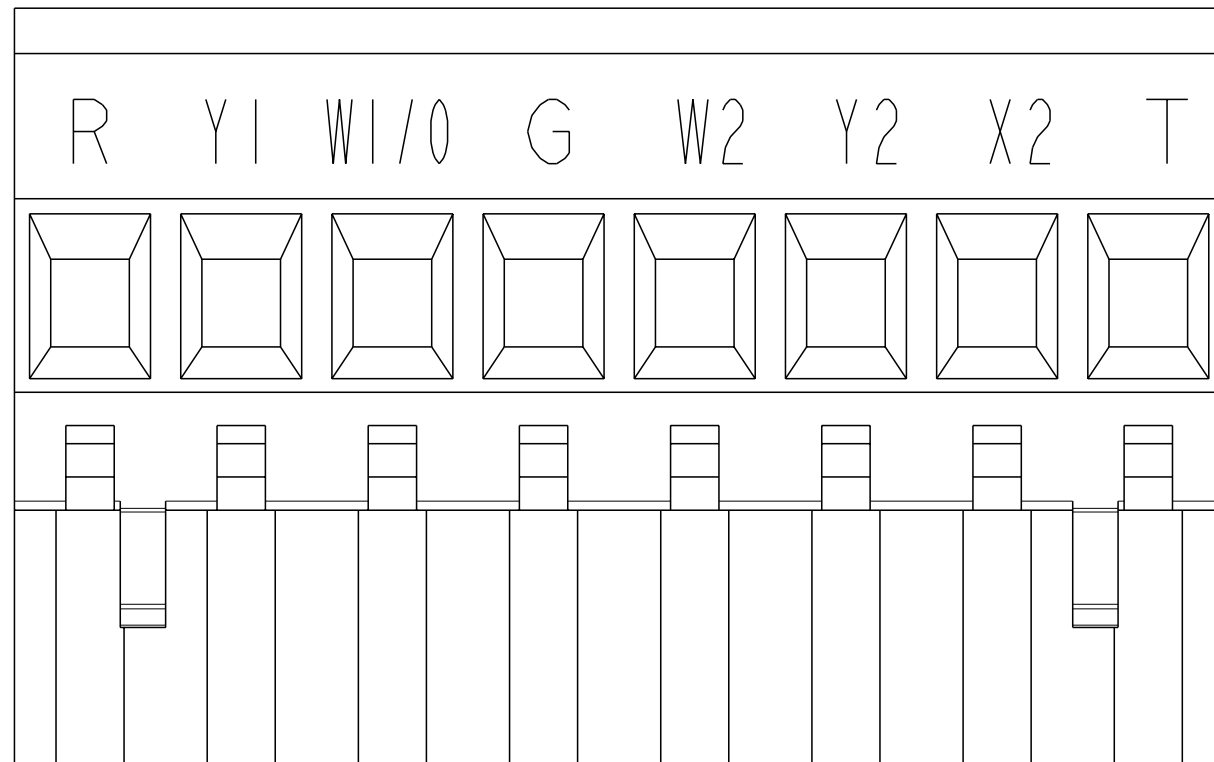
OBSOLETE ~~2-284046-7~~ AS SHOWN



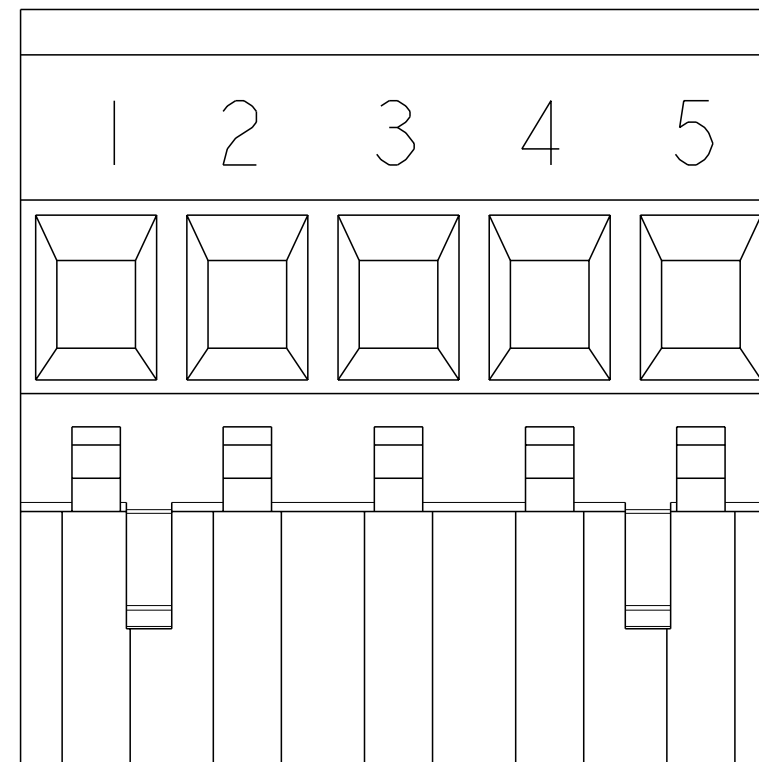
OBSOLETE ~~3-284046-0~~ AS SHOWN



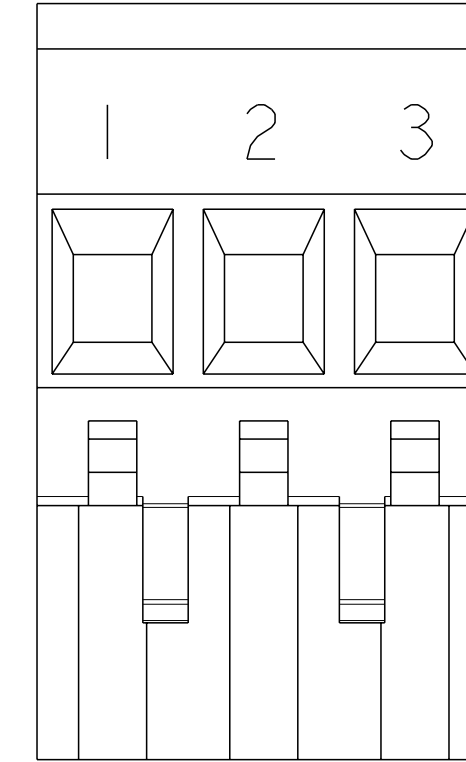
3-284046-7 AS SHOWN




OBSOLETE ~~2-284046-6~~ AS SHOWN



OBSOLETE ~~2-284046-9~~ AS SHOWN

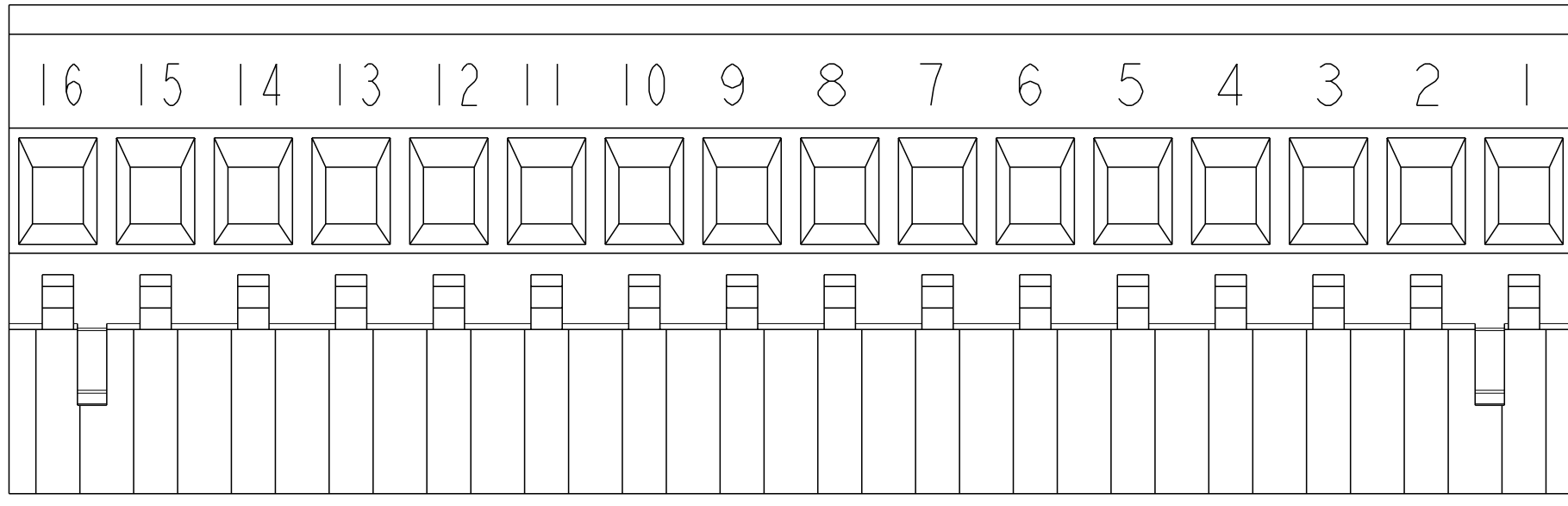


OBSOLETE ~~3-284046-1~~ AS SHOWN

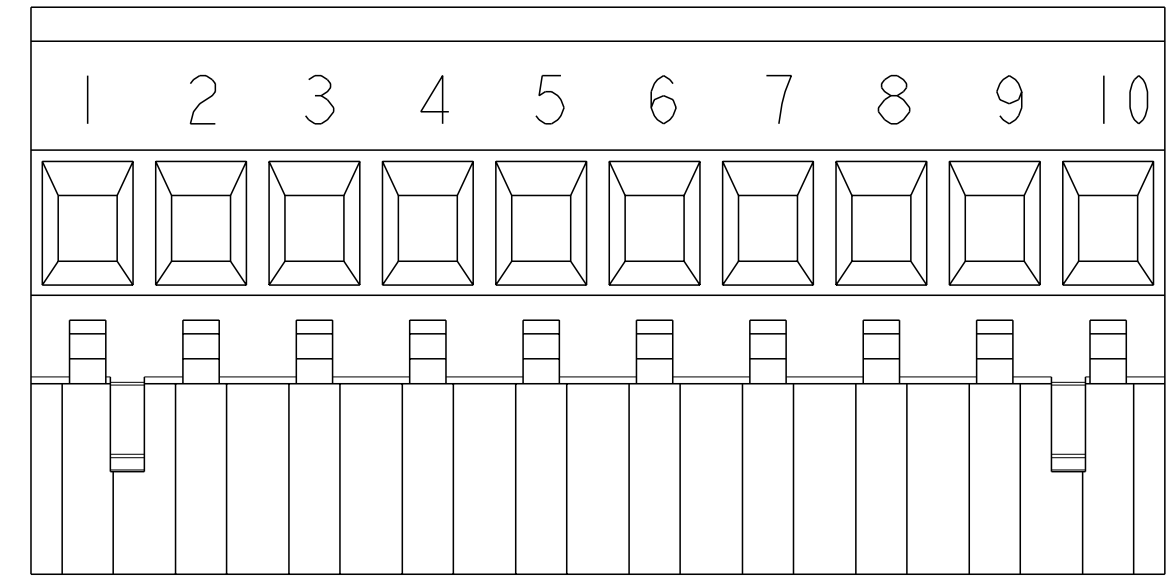
THIS DRAWING IS A CONTROLLED DOCUMENT.		DWN S. WELDON 05FEB2003	 TE Connectivity	
DIMENSIONS: mm		CHK C. RICHARD 05FEB2003		
TOLERANCES UNLESS OTHERWISE SPECIFIED: 0 PLC ±- 1 PLC ±0.30 2 PLC ±0.25 3 PLC ±- 4 PLC ±- ANGLES ±2° FINISH		APVD C. RICHARD 05FEB2003	NAME TERMINAL BLOCK, VERTICAL PLUG, STACKING, RIGHT HAND, 5.00mm PITCH	
MATERIAL SEE NOTES		PRODUCT SPEC -	APPLICATION SPEC -	RESTRICTED TO
SEE NOTES		WEIGHT -	SCALE 4:1	SHEET 2 OF 3
CUSTOMER DRAWING		SIZE A200779	DRAWING NO C-284046	REV E4

THIS DRAWING IS UNPUBLISHED. RELEASED FOR PUBLICATION 20  
 © COPYRIGHT 20 BY - ALL RIGHTS RESERVED.

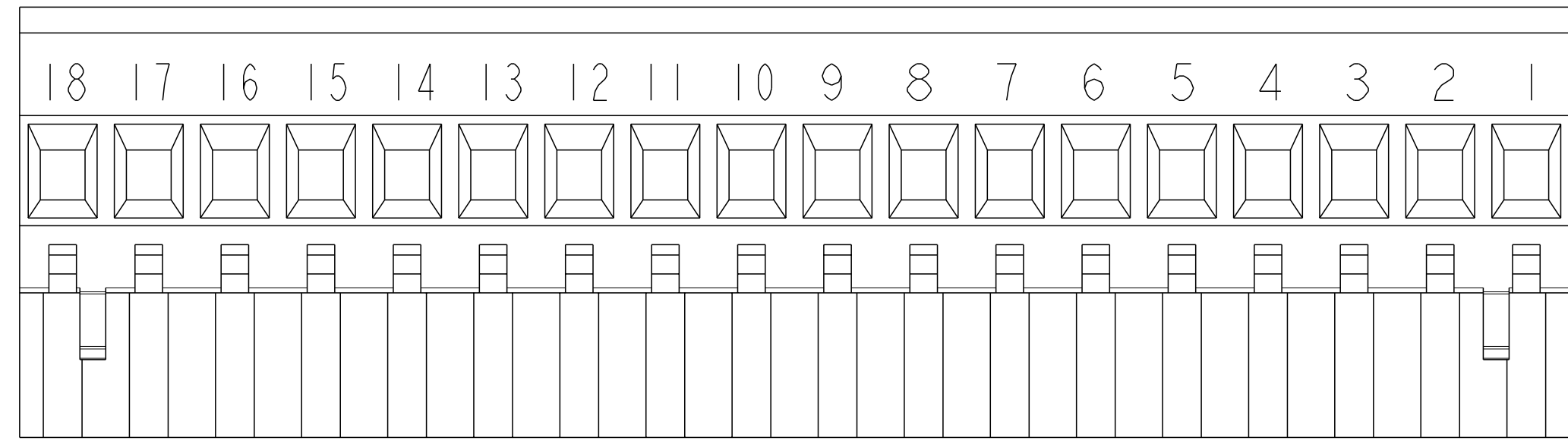
LOC	DIST	REVISIONS					
FT	0	P	LTR	DESCRIPTION	DATE	DWN	APVD
		-		SEE SHEET 1	-	-	-



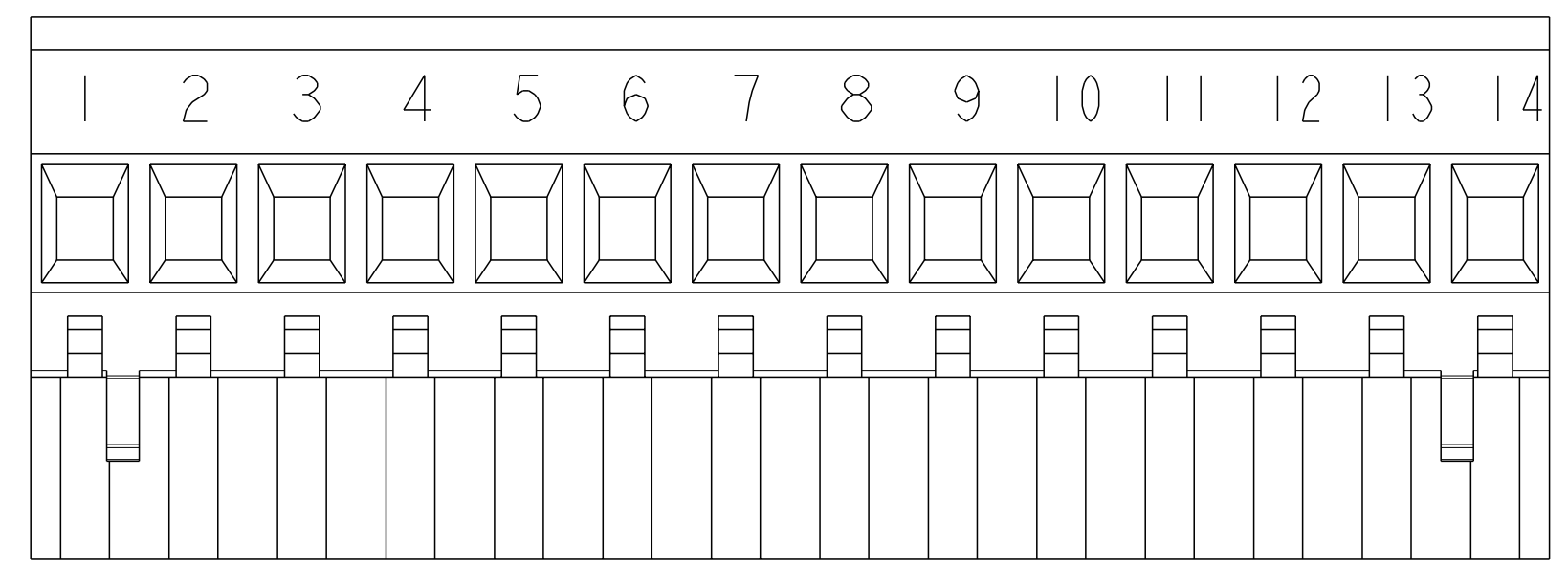
3-284046-2 AS SHOWN  $\triangle$ 6




3-284046-4 AS SHOWN



3-284046-3 AS SHOWN  $\triangle$ 6



3-284046-5 AS SHOWN

THIS DRAWING IS A CONTROLLED DOCUMENT.		DWN S. WELDON 05FEB2003	 TE Connectivity	
DIMENSIONS: mm		CHK C. RICHARD 05FEB2003		
TOLERANCES UNLESS OTHERWISE SPECIFIED:		APVD C. RICHARD 05FEB2003	NAME TERMINAL BLOCK, VERTICAL PLUG, STACKING, RIGHT HAND, 5.00mm PITCH	
0 PLC ± 1 PLC ±0.30 2 PLC ±0.25 3 PLC ± 4 PLC ± ANGLES ±2° FINISH		PRODUCT SPEC -	SIZE A200779	CAGE CODE C-284046
MATERIAL SEE NOTES		APPLICATION SPEC -	DRAWING NO C-284046	RESTRICTED TO
SEE NOTES		WEIGHT -	SCALE 4:1	SHEET 3 OF 3
		CUSTOMER DRAWING	REV E4	