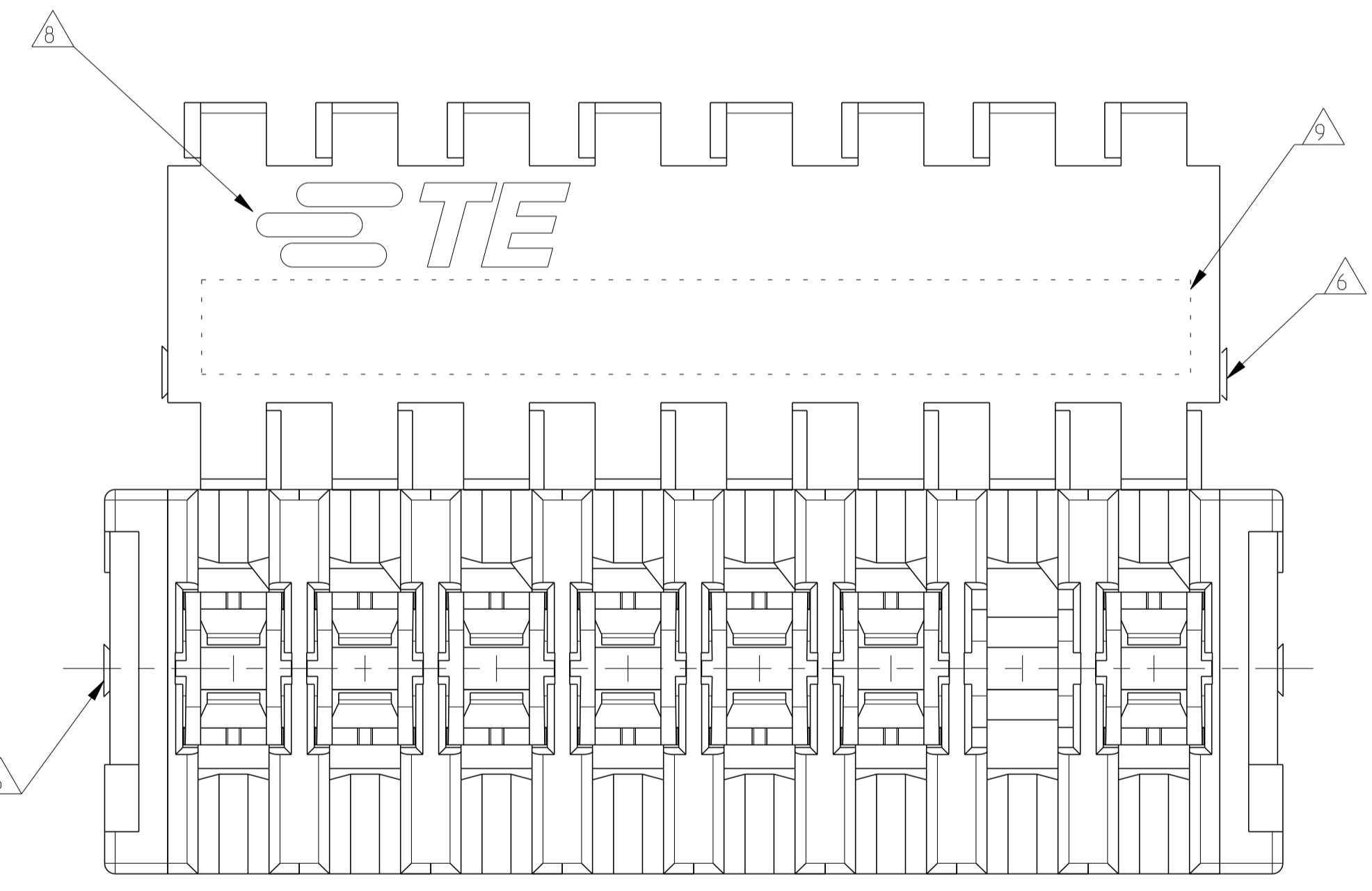
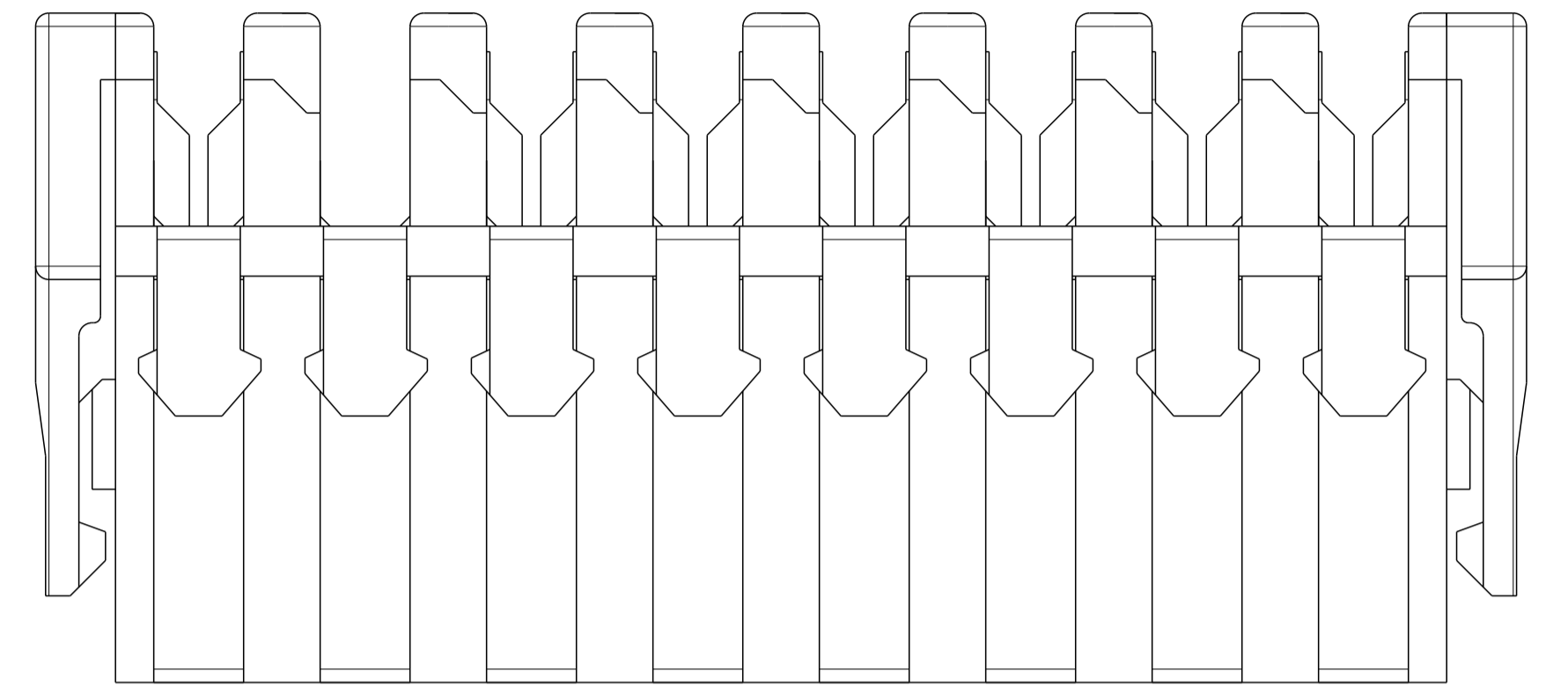
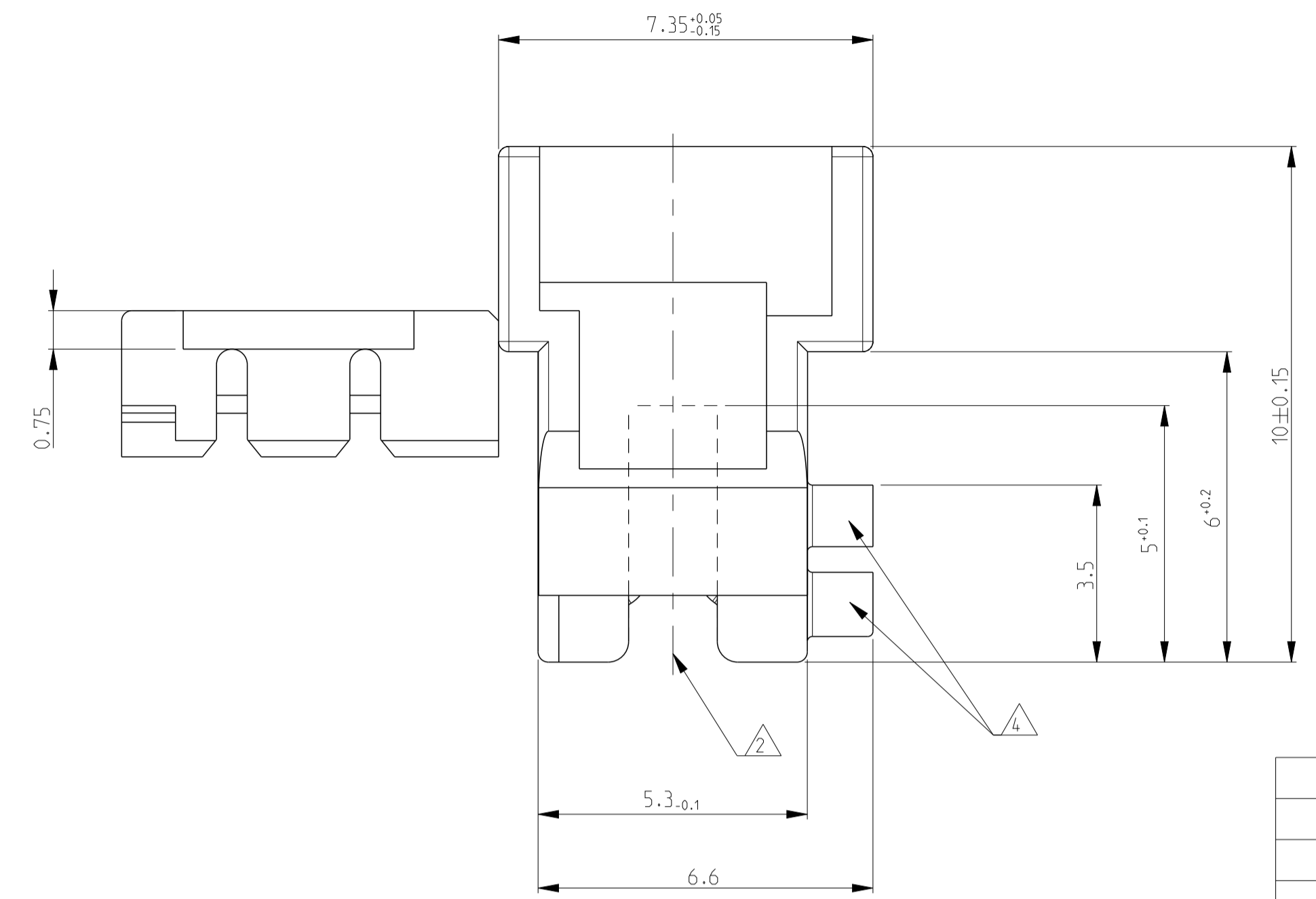
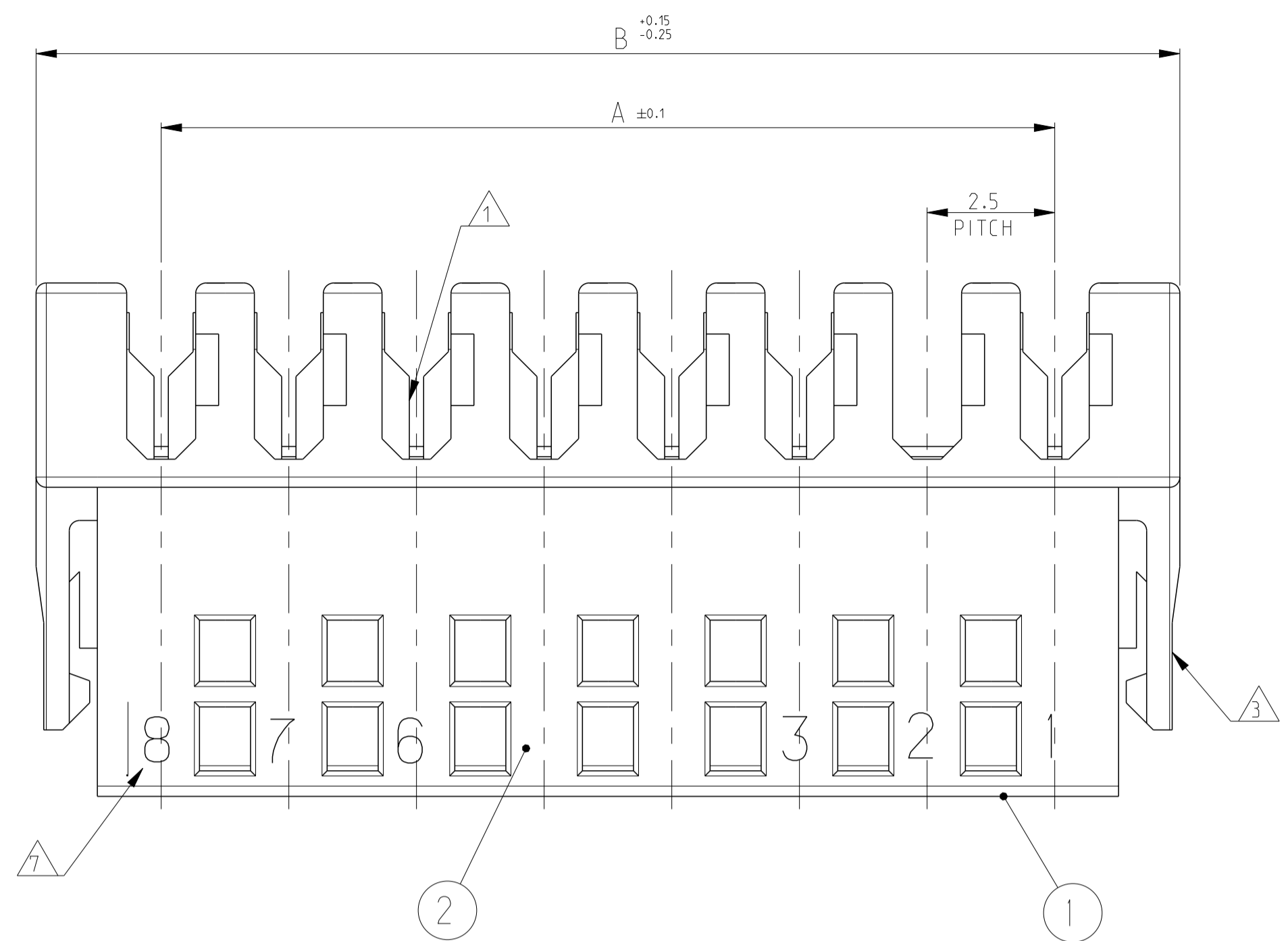
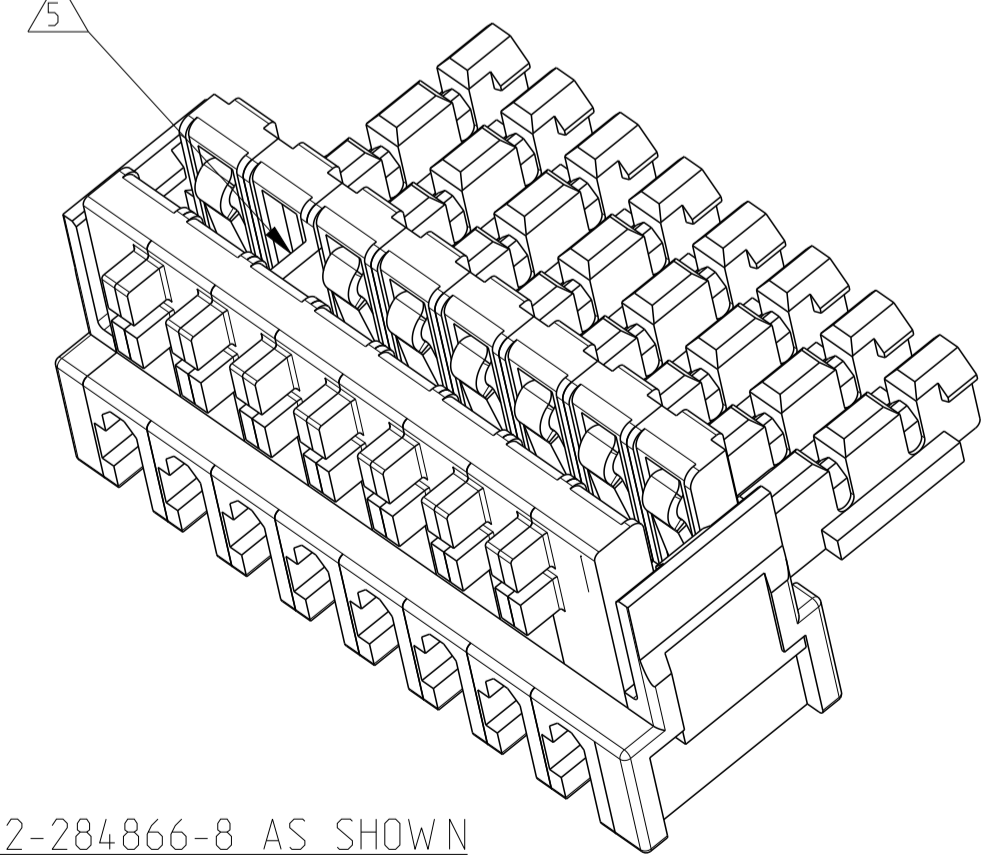


REVISIONS				
P.	LTN.	DESCRIPTION	DATE	APPV.
C2		ECR-20-001662	12FEB2020	LZ FL



- 1 WIRE RANGE : STRANDED 0.22-0.35 mm² (INS. DIA. 1.30±0.1)
- 2 MATING PART: P.C.B. EDGE, DOUBLE SIDE, THK 1.5 (COPPER CLADDING INCLUDED)
- 3 SIDE LOCKING DEVICE
- 4 KEYING RIBS TO BE REMOVED BY TERMINATION MACHINE
- 5 POLARIZATION RIBS BETWEEN CAVITIES
- 6 CUT OFF DIMENSION DUE TO PRODUCTION PROCESS
- 7 CIRCUIT No. IDENTIFICATION
- 8 TE TRADEMARK (OPTIONAL POSITION)
- 9 TAMPOGRAPHIC COLOUR CODE AREA (P/Ns IDENTIFICATION BEFORE CRIMPING AREA)
- 10 FOR PCB LAYOUT, SEE SHEET 2
FOR CONNECTION VIEW LAYOUT, SEE SHEET 2
- 11 PRELIMINARY NOT YET RELEASED FOR PRODUCTION
- 12 PBT GF
- 13 PBT GF, UL94-V0 & GWEP7 750 NO-FLAME, NATURAL



P/N 2-284866-8 AS SHOWN

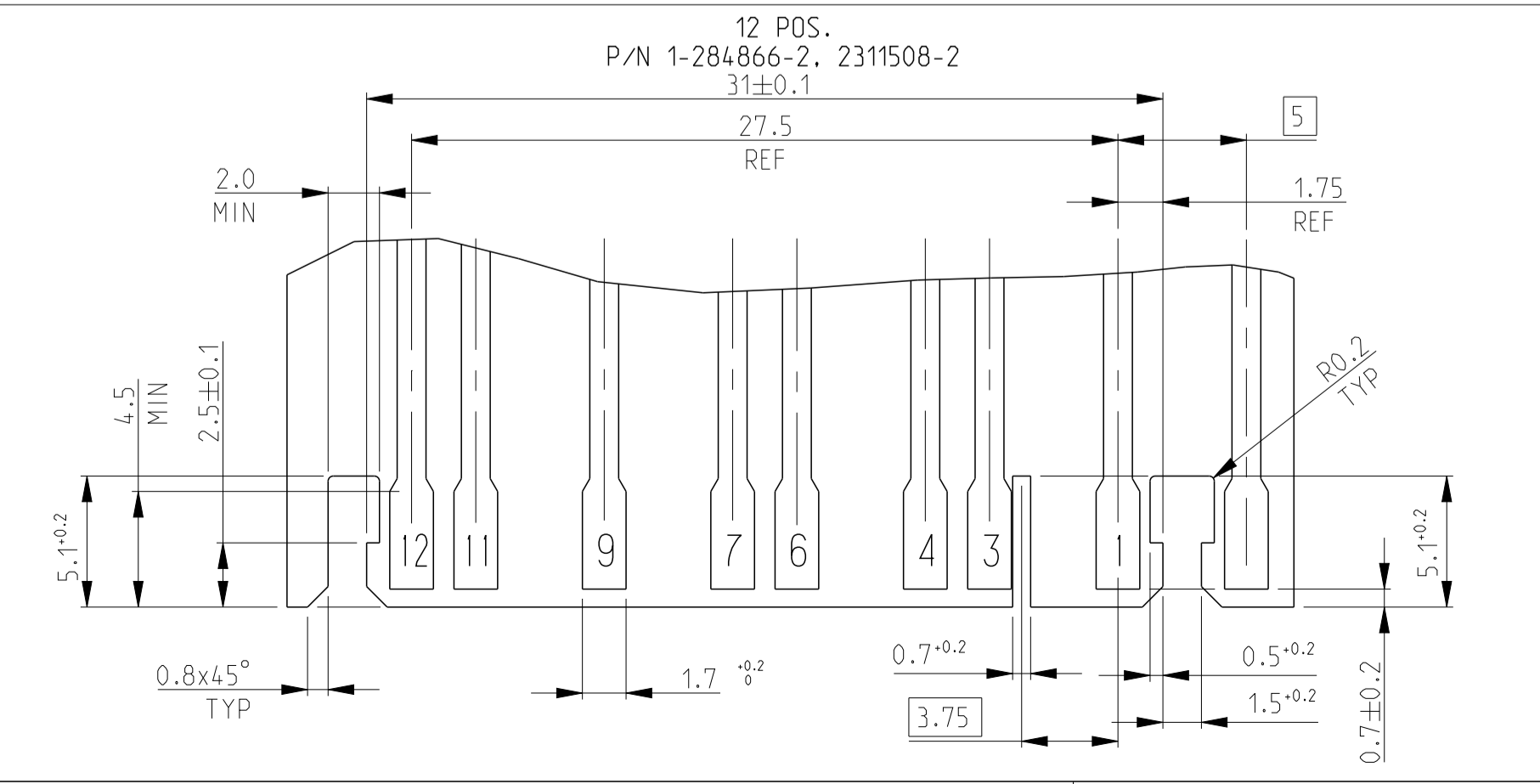
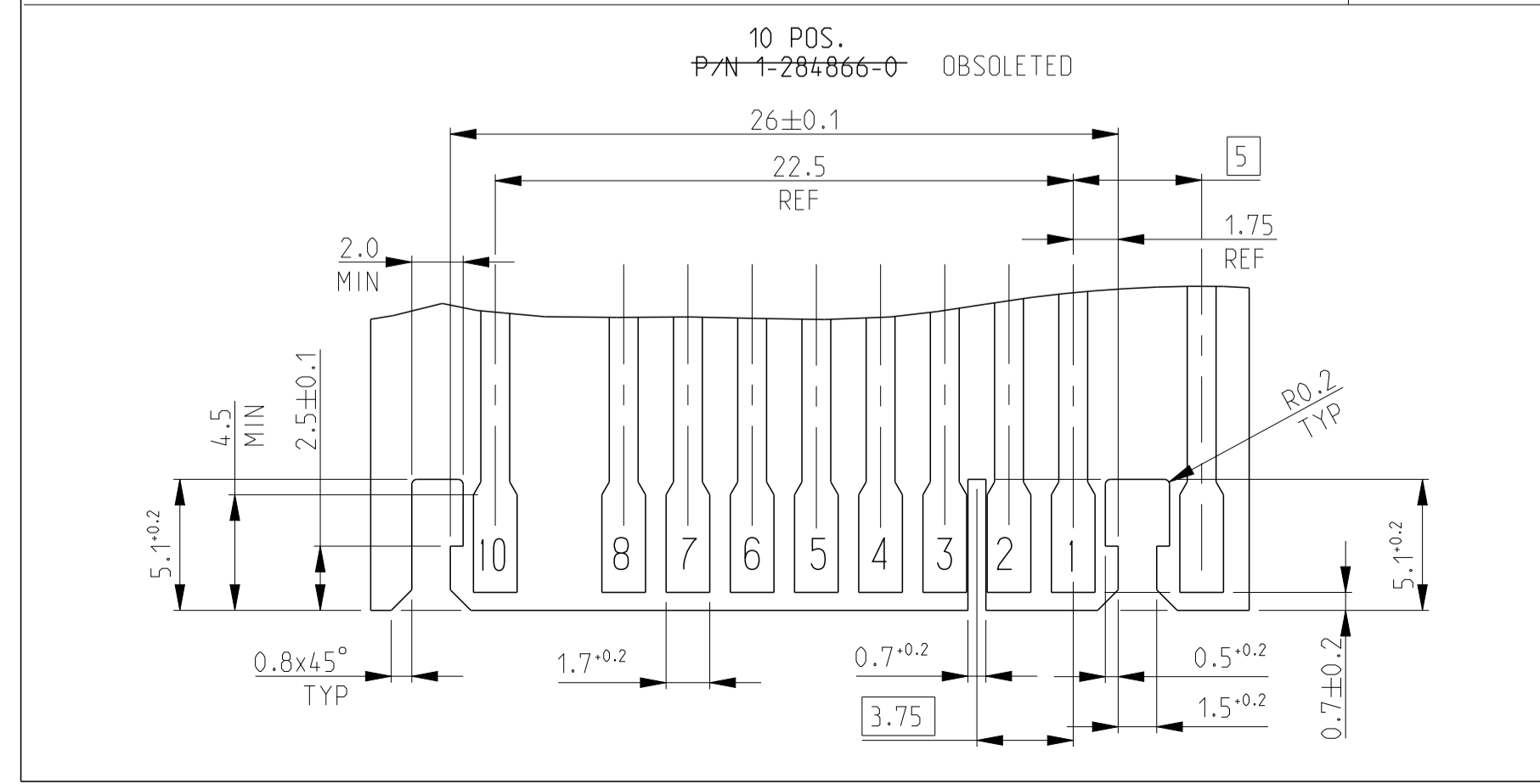
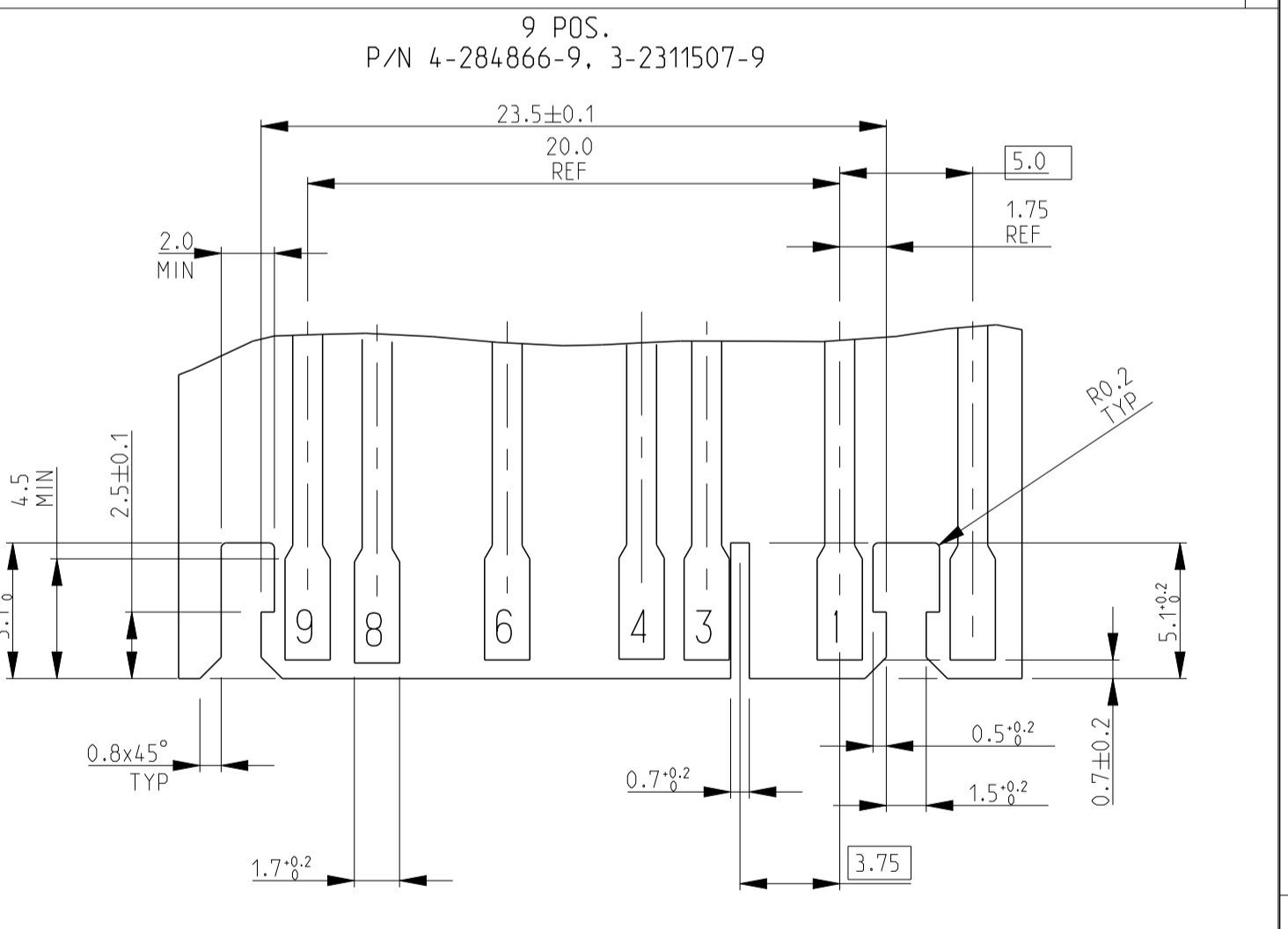
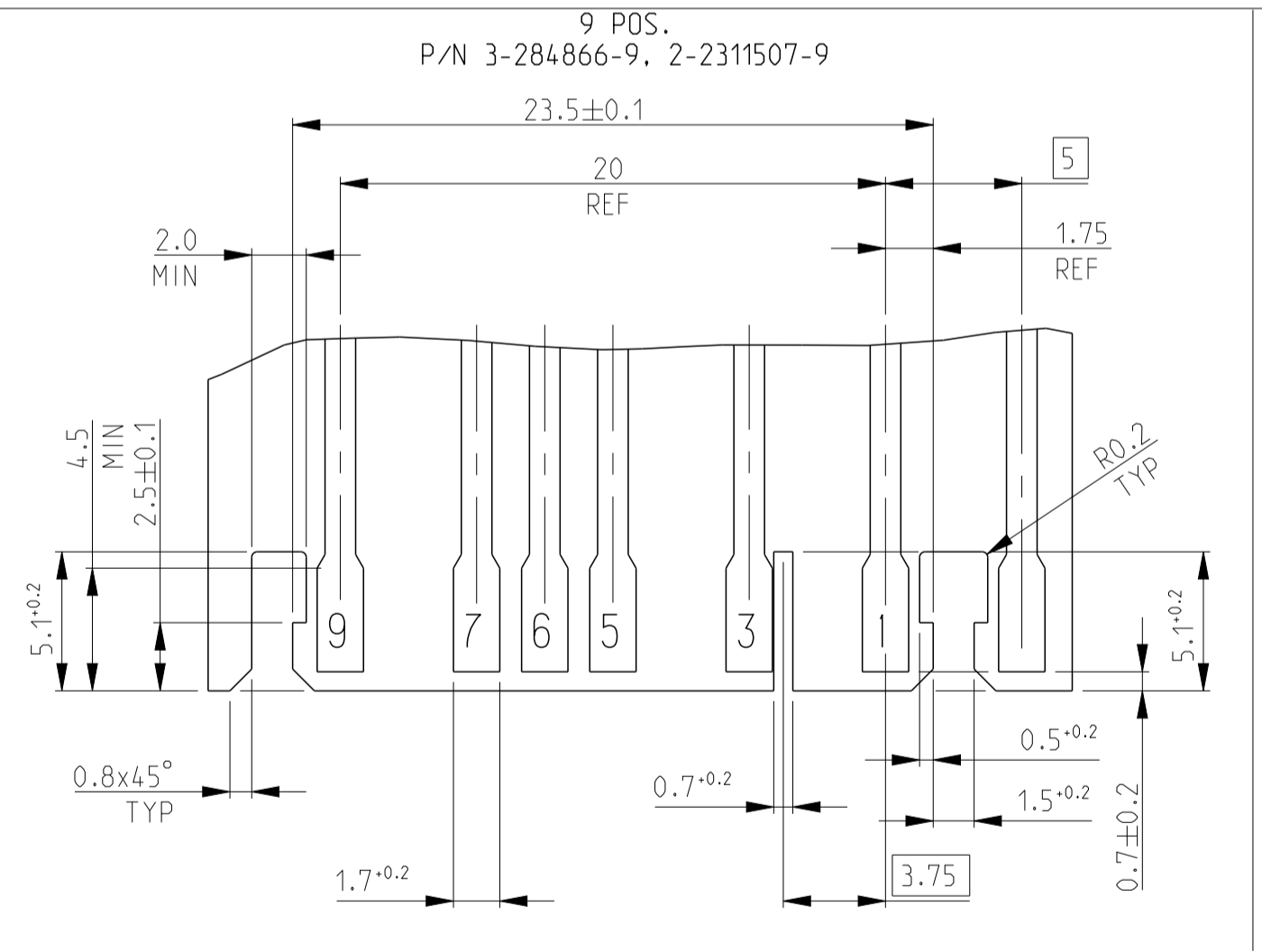
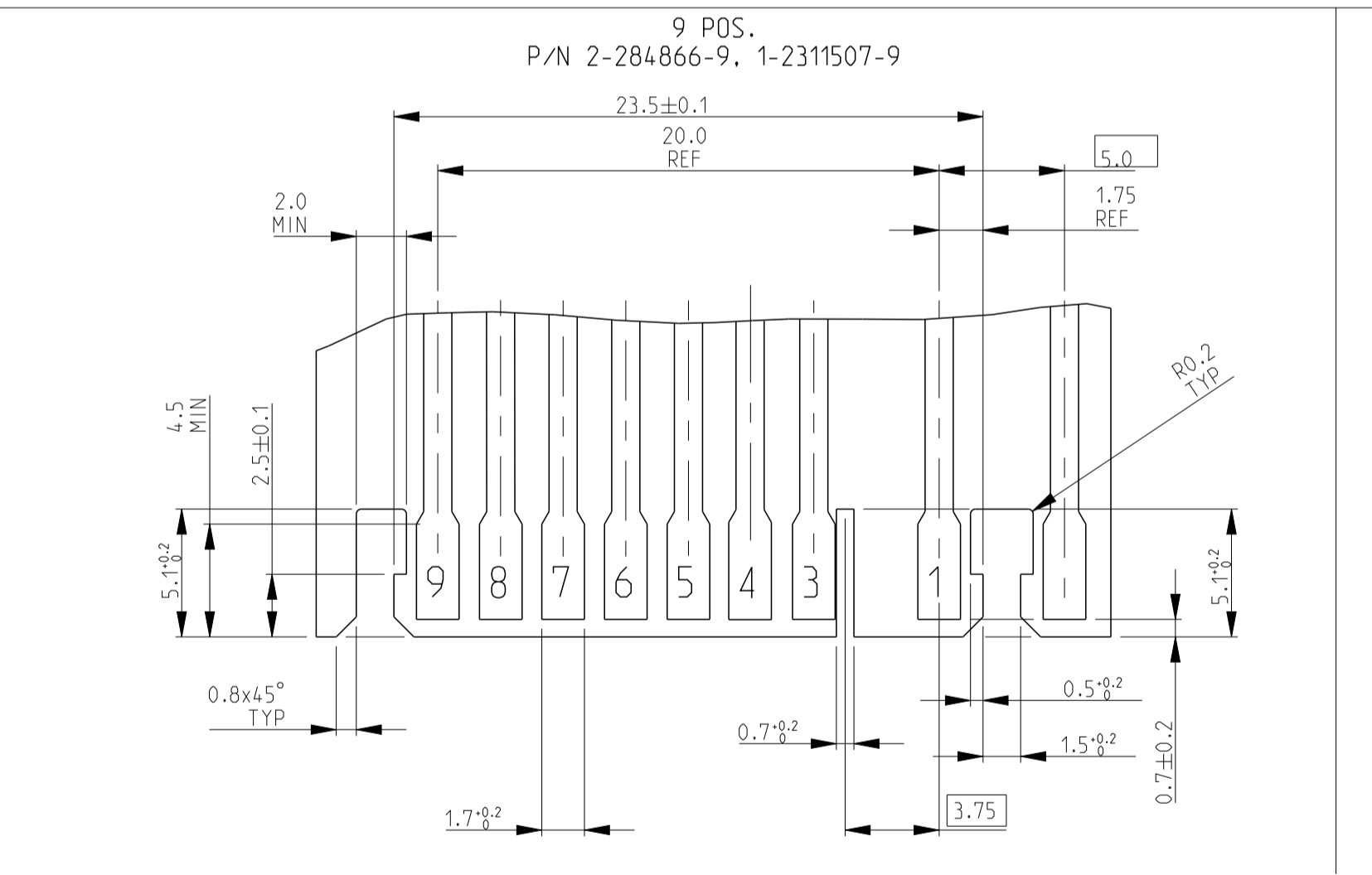
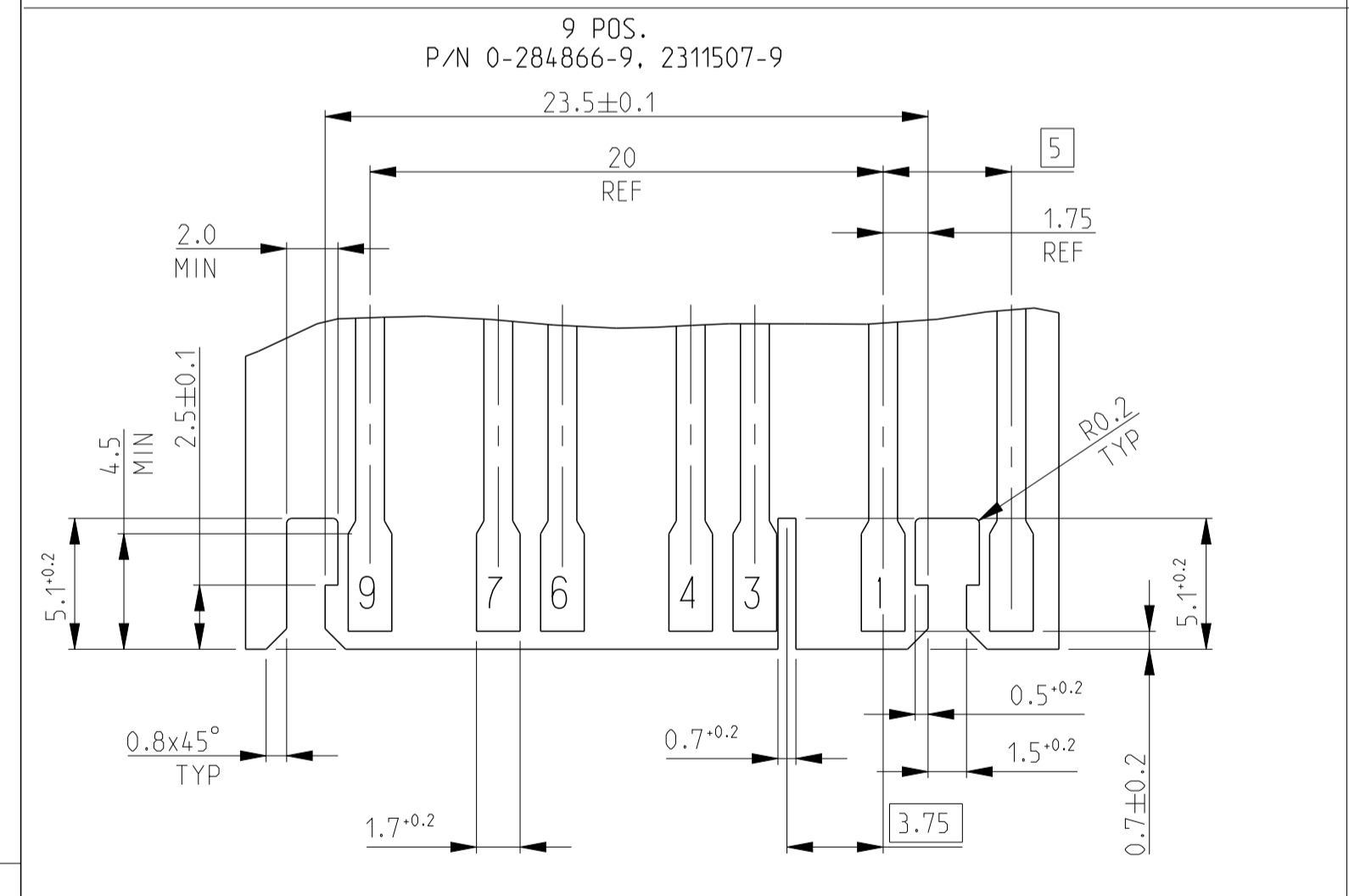
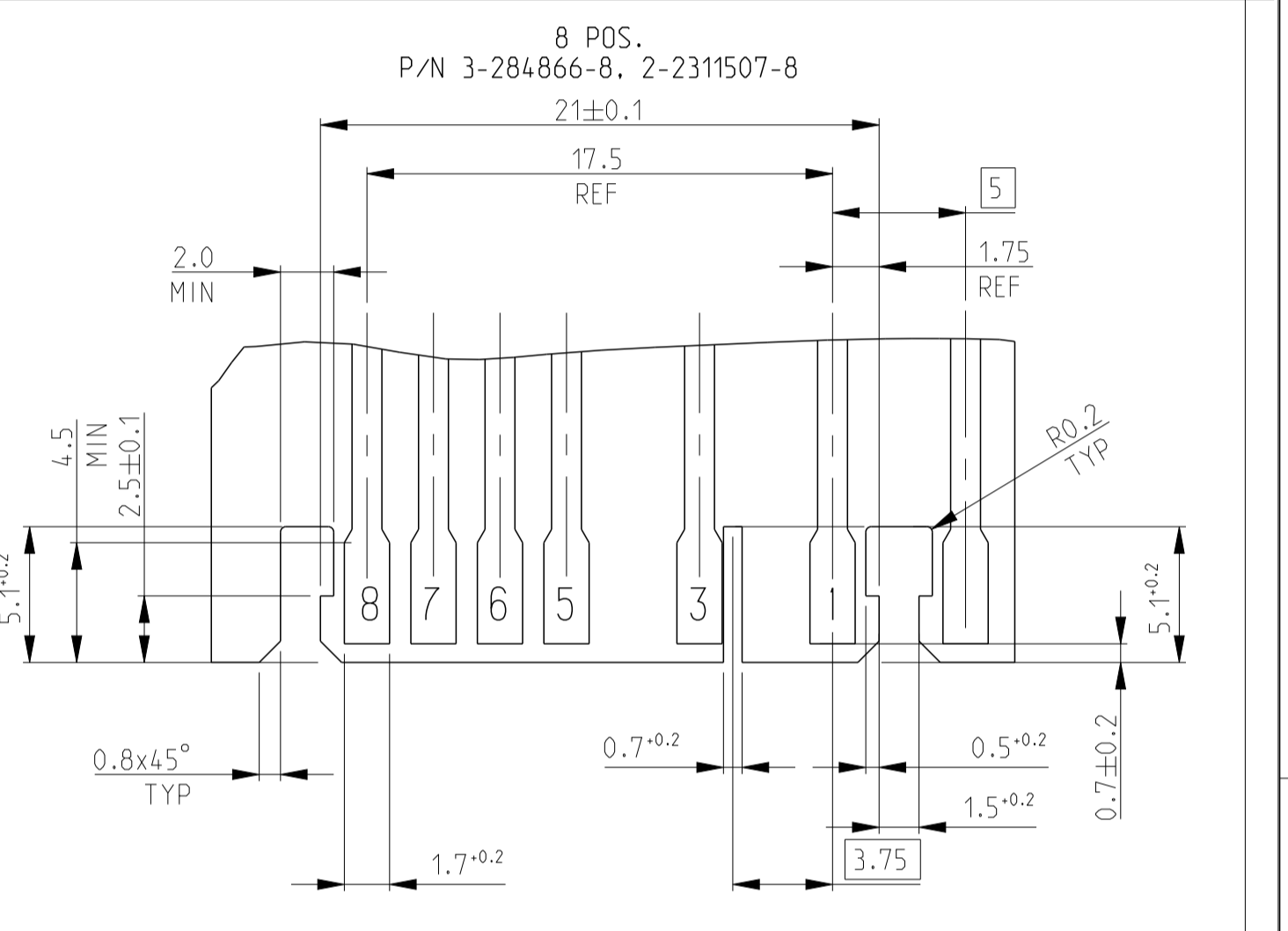
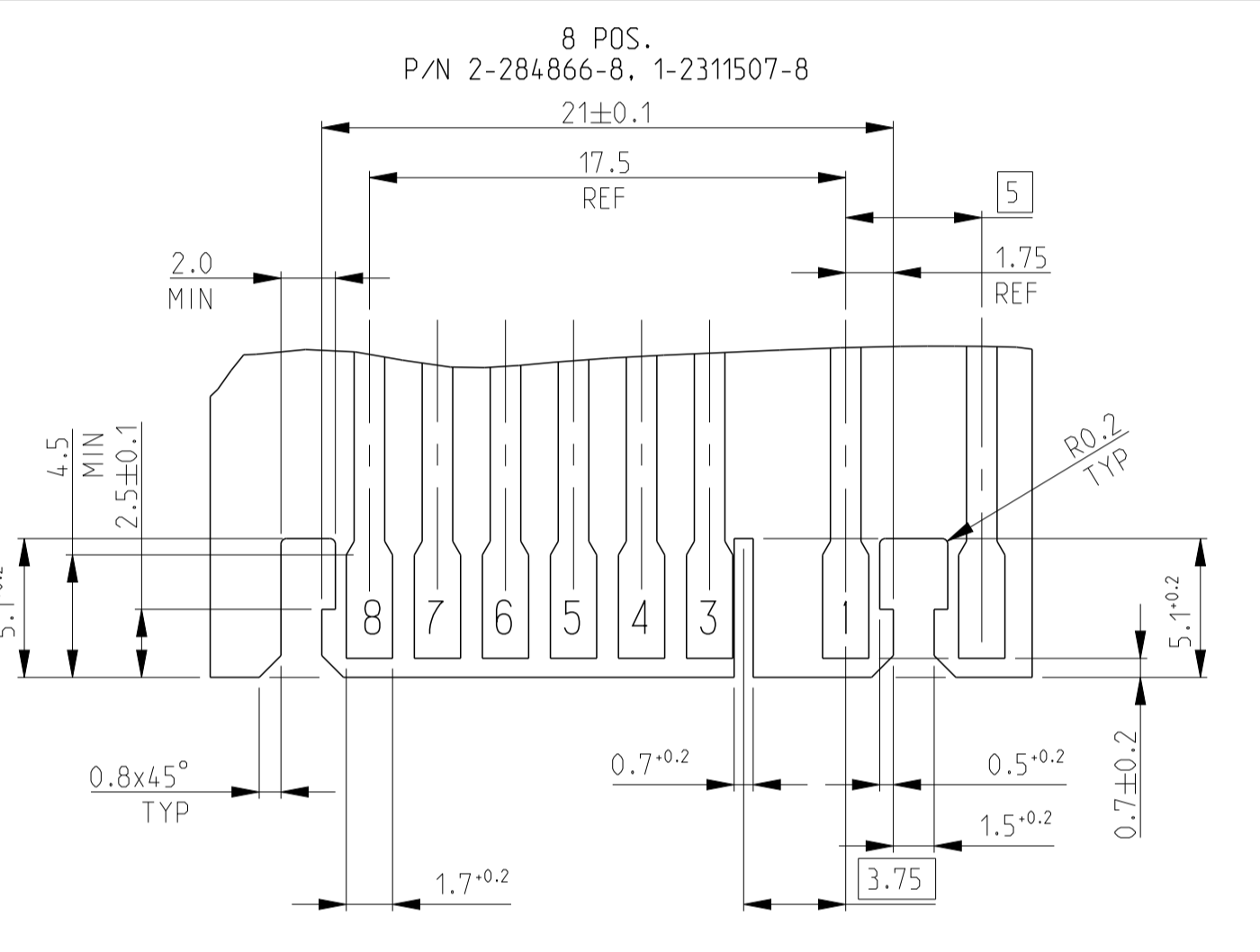
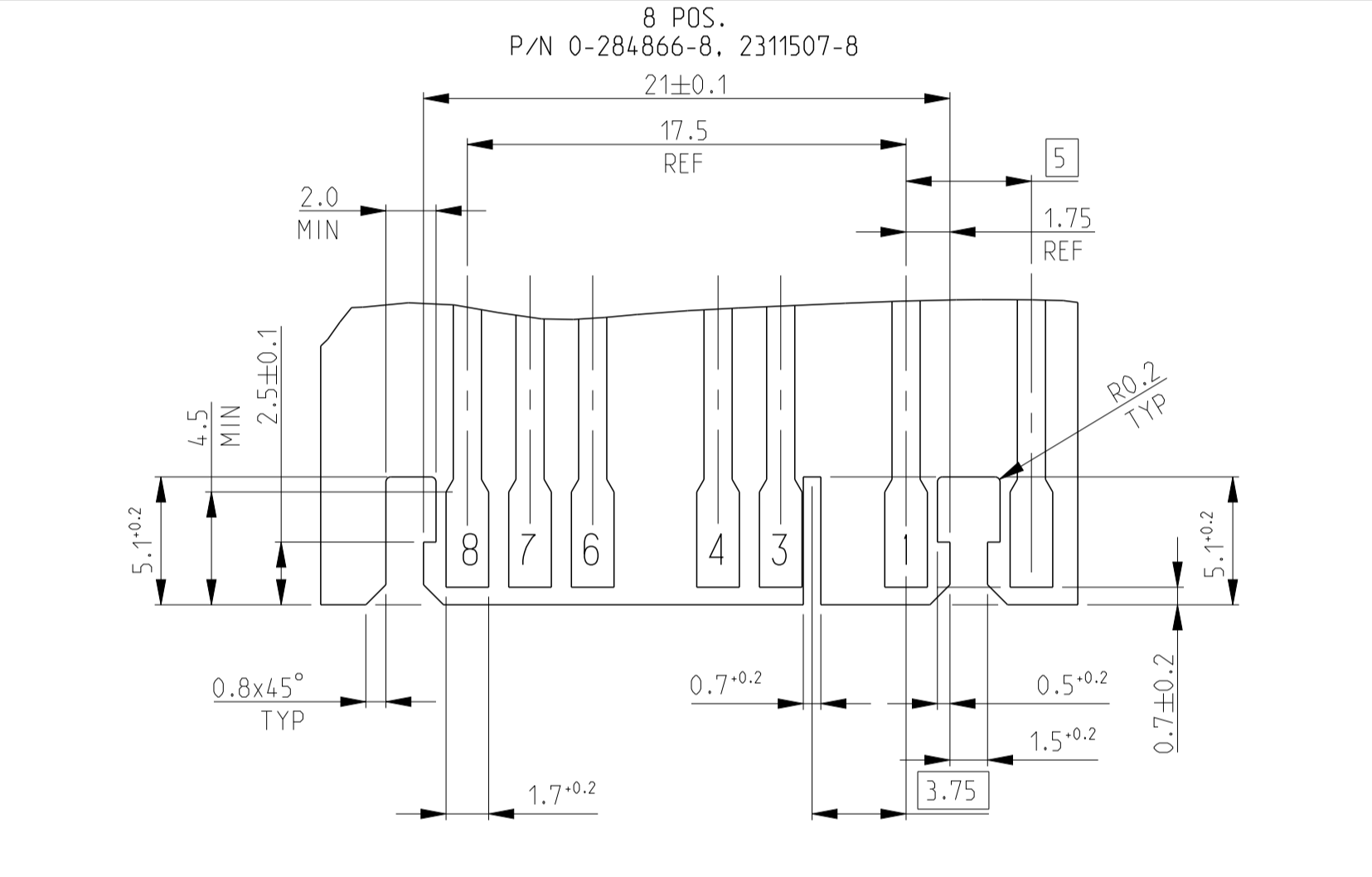
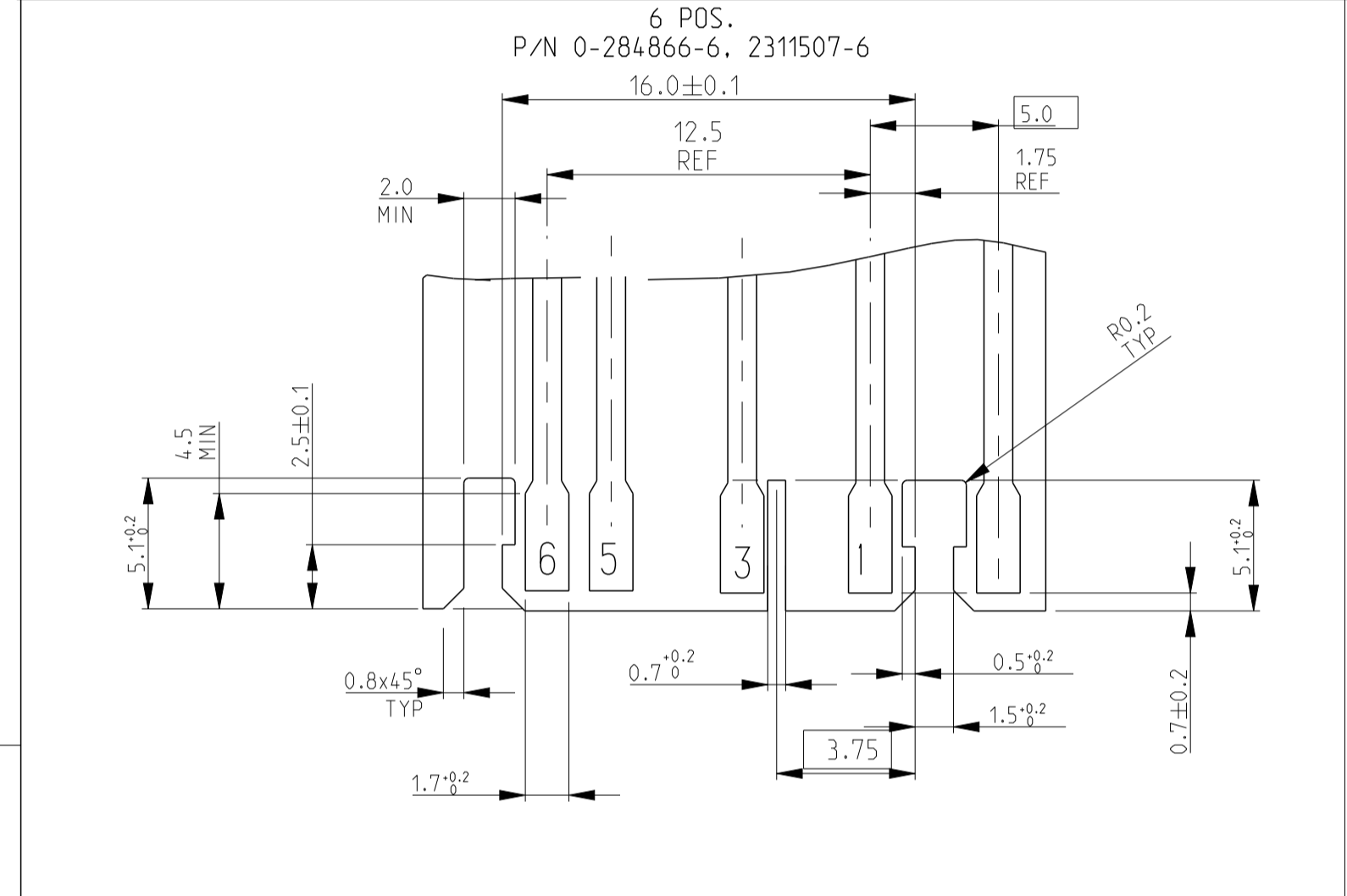
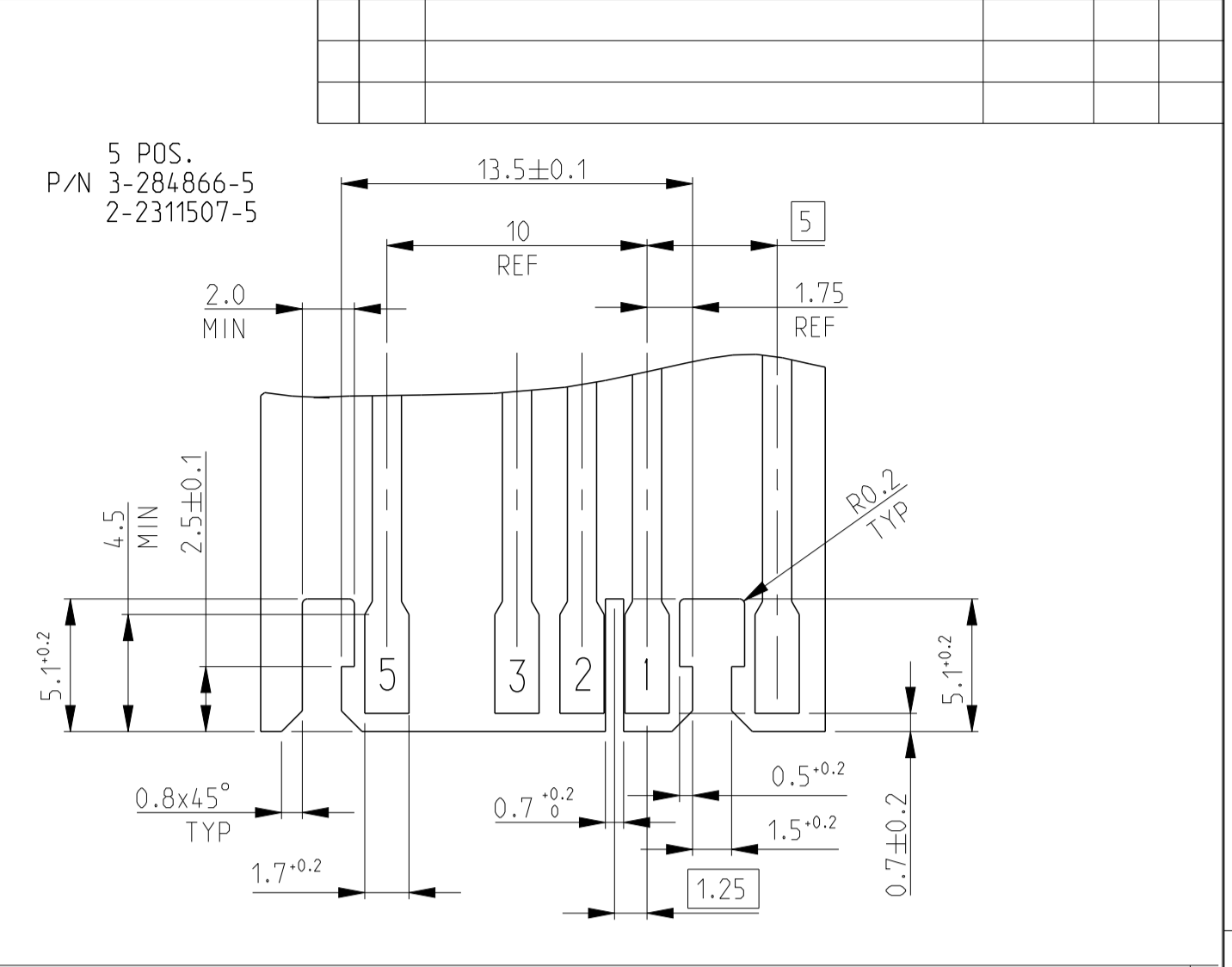
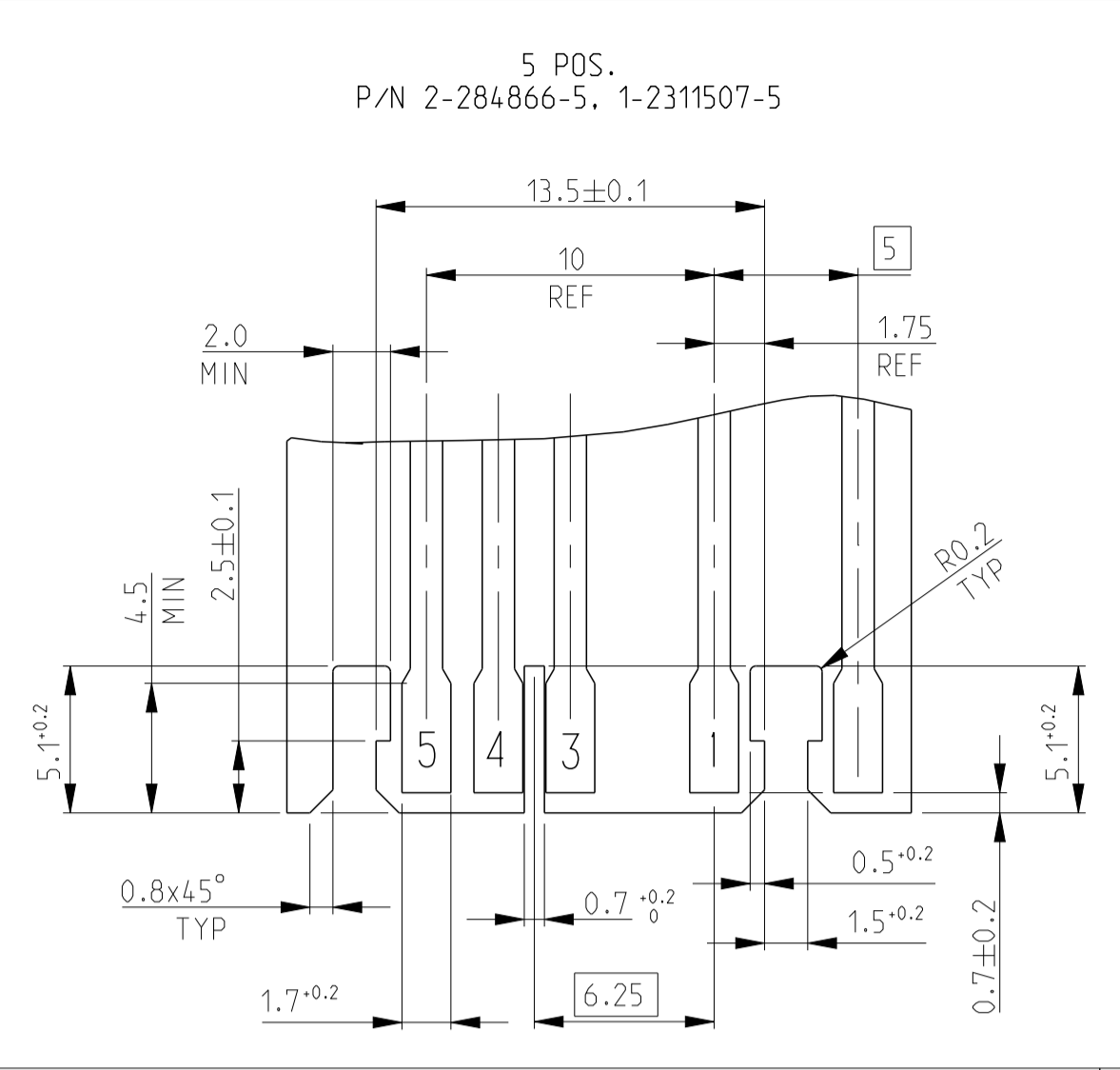
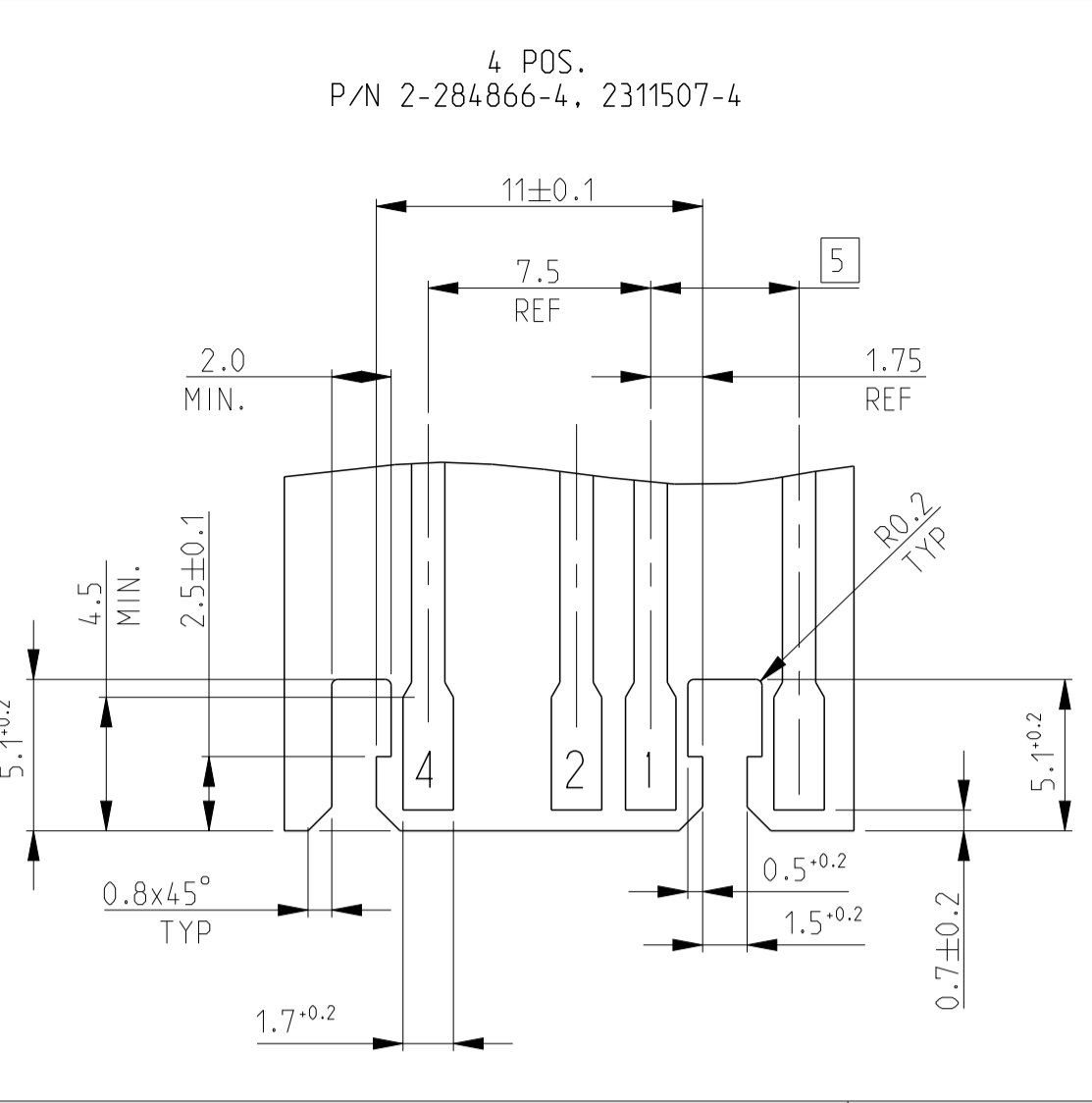
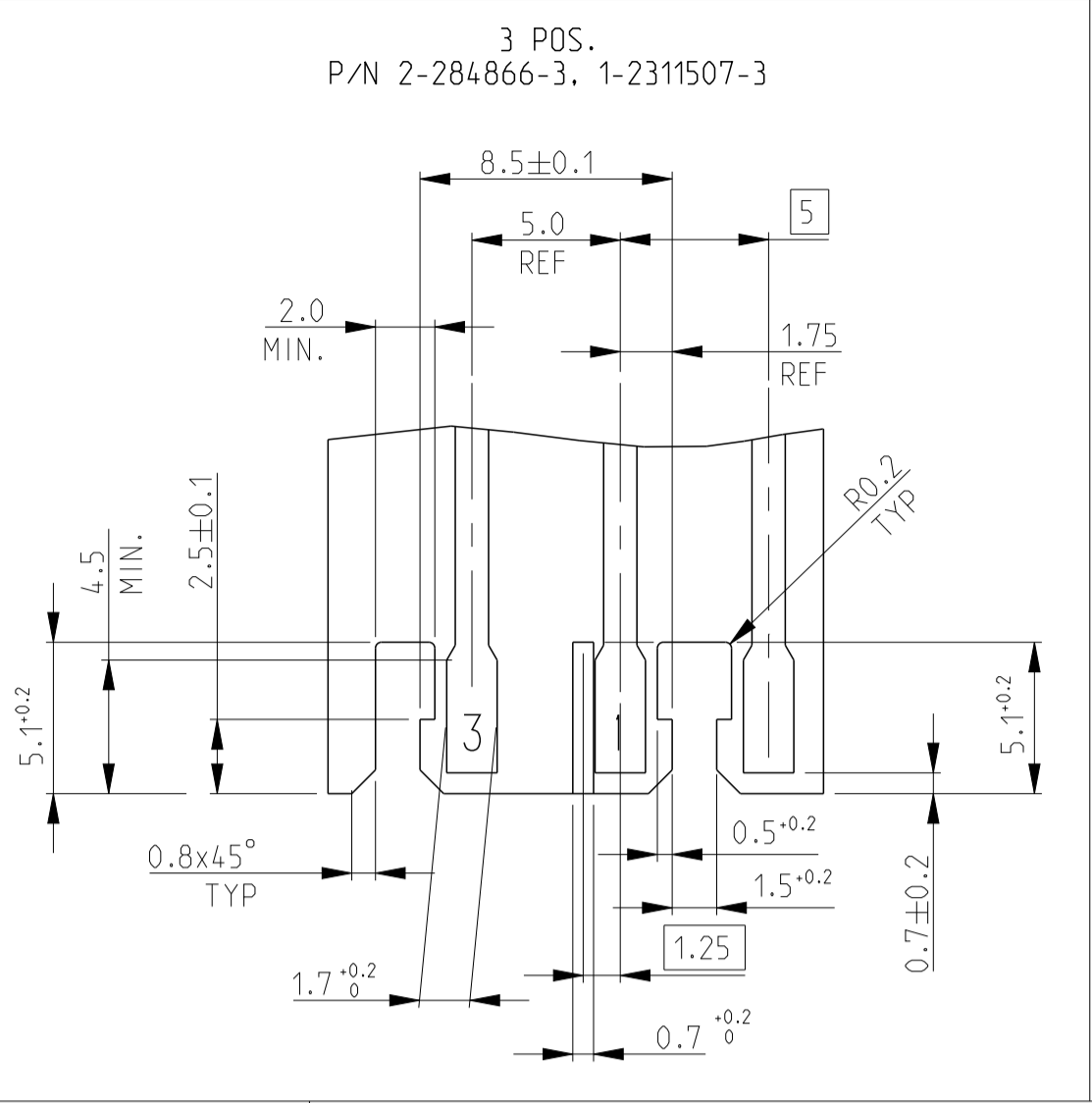
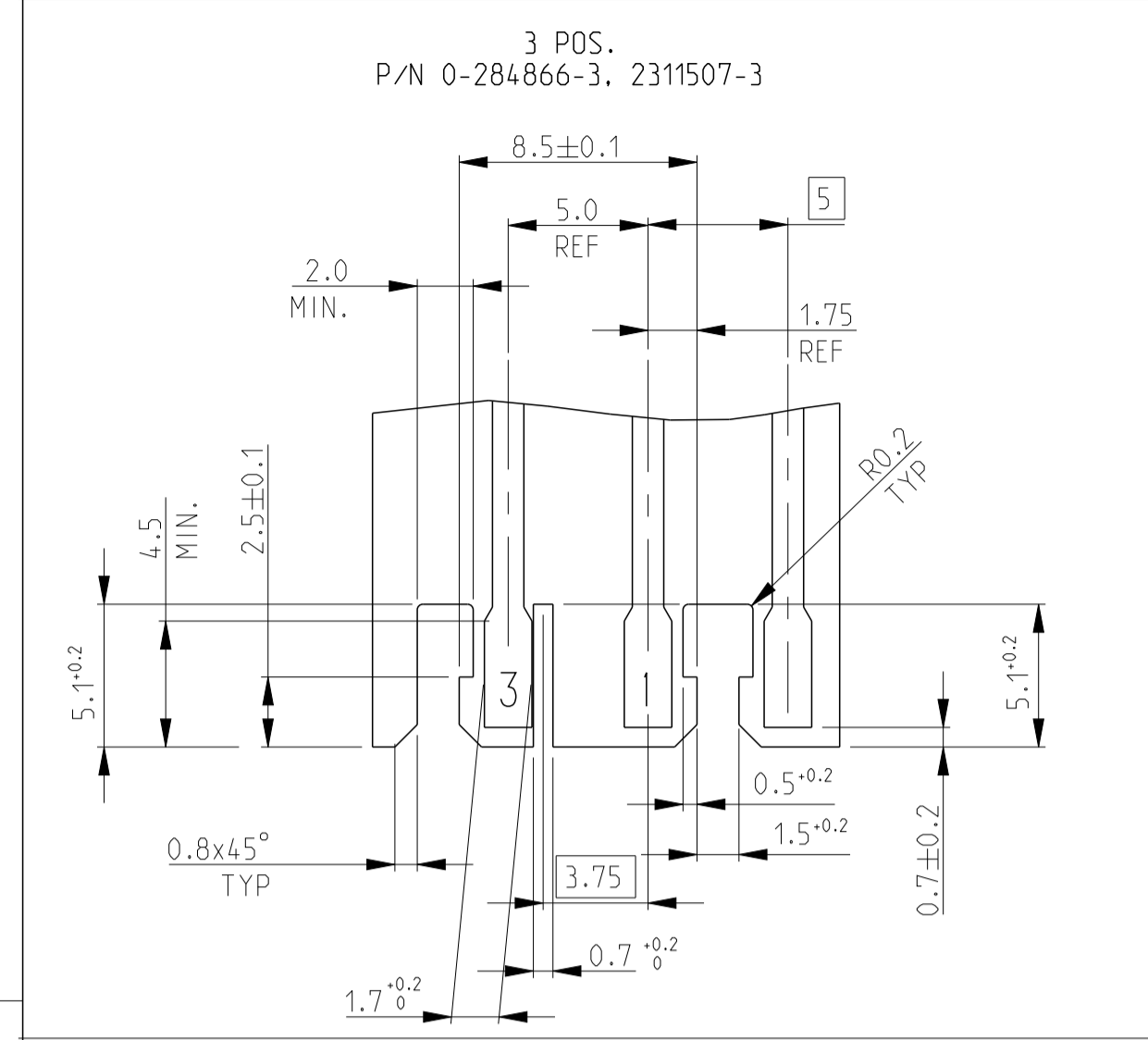
COLOUR CODE	POLARIZ. RIB POS.	CONTACT LOADING	HSG POS.	DIM.A	DIM.B	TE P/N	TE P/N
GREEN	13/14	SELECTIVELY 1.3,4,6,8,9,10,11,12,13,14	14	32.5	37.4	5-284866-4	1-2311508-4
BLUE		SELECTIVELY 1.3,4,6,11,12,13,14				1-284866-4	2311508-4
-		SELECTIVELY 1.2,5,6,8,10,11,13				4-284866-3	-
-	2/3	SELECTIVELY 3,4,5,6,8,10,11,13	13	30.0	34.9	3-284866-3	-
-		SELECTIVELY 1.2,3,4,5,6,8,10,11,13				5-284866-3	-
BLUE	2/3	SELECTIVELY 1.3,4,6,7,9,11,12	12	27.5	32.4	1-284866-2	2311508-2
BLACK	2/3	SELECTIVELY 1.3,5,6,7,8,9,10				2-284866-0	-
OBSOLETED	2/3	SELECTIVELY 1.2,3,4,5,6,7,8,10				1-284866-0	-
-	2/3	SELECTIVELY 1.3,5,7,9				9-2311507-9	-
-	7/8	SELECTIVELY 1.2,4,6,8,9				2336596-9	-
GRAY	3/4	SELECTIVELY 1.3,4,6,8,9				7-284866-9	8-2311507-9
RED	4/5	SELECTIVELY 1-2,4-6,8-9				8-284866-9	7-2311507-9
-		SELECTIVELY 1.2,4,6,8,9				9-284866-9	/
GREEN		SELECTIVELY 1.2,4,6,7,9	9	20.0	24.9	1-284866-9	6-2311507-9
BLACK		SELECTIVELY 1.3,5,7,8,9				6-284866-9	5-2311507-9
ORANGE	2/3	SELECTIVELY 1.2,3,5,7,9				5-284866-9	4-2311507-9
ORANGE		SELECTIVELY 1.3,4,6,8,9				4-284866-9	3-2311507-9
RED		SELECTIVELY 1.3,5,6,7,9				3-284866-9	2-2311507-9
GREEN		SELECTIVELY 1.3,4,5,6,7,8,9				2-284866-9	1-2311507-9
BLUE		SELECTIVELY 1.3,4,6,7,9				0-284866-9	2311507-9
-		SELECTIVELY 5,6,7				5-284866-8	-
BROWN		SELECTIVELY 1.2,3,4,6,8				4-284866-8	3-2311507-8
RED	2/3	SELECTIVELY 1.3,5,6,7,8	8	17.5	22.4	3-284866-8	2-2311507-8
GREEN		SELECTIVELY 1.3,4,5,6,7,8,9				2-284866-8	1-2311507-8
BLUE		SELECTIVELY 1.3,4,6,7,8				0-284866-8	2311507-8
BLUE	2/3	SELECTIVELY 1.3,5,7	7	15.0	19.9	1-284866-7	1-2311507-7
BLUE		SELECTIVELY 1.3,5,6,7				0-284866-7	2311507-7
-	4/5	SELECTIVELY 1.3,4,6				5-284866-6	-
BLACK	2/3	SELECTIVELY 1.3,4,6	6	12.5	17.4	4-284866-6	2-2311507-6
GREEN	4/5	SELECTIVELY 1.2,4,6				2-284866-6	1-2311507-6
BLUE	2/3	SELECTIVELY 1.3,5,6				0-284866-6	2311507-6
-	2/3	SELECTIVELY 1.3,5				-	4-2311507-5
ORANGE	1/2	SELECTIVELY 3,4,5				4-284866-5	3-2311507-5
GREEN		SELECTIVELY 1.2,3,5	5	10.0	14.9	3-284866-5	2-2311507-5
BLUE	3/4	SELECTIVELY 1.3,4,5				2-284866-5	1-2311507-5
RED	2/3	SELECTIVELY 2,4				0-284866-5	2311507-5
GREEN	N/A	SELECTIVELY 1.2,4	4	7.5	12.4	2-284866-4	2311507-4
GREEN	1/2	SELECTIVELY 1,3				2-284866-3	1-2311507-3
BLUE	-	SELECTIVELY 1,3	3	5.0	9.9	1-284866-3	-
BLUE	2/3	SELECTIVELY 1,3				0-284866-3	2311507-3

-		-		THIS DRAWING IS A CONTROLLED DOCUMENT.		OWN R. FABRIS 03JUL2002		TE Connectivity	
SEE TABLE	PH. BRONZE, TIN PLATED	IDC RECEPTACLE CONTACT	2	DIMENSIONS: mm	TOLERANCES UNLESS OTHERWISE SPECIFIED:	APV: TURCO	NAME: DUOPLUG 2.5 FEMALE CONN. SIDE LOCKING, KEYED (SELECTIVELY LOADED CONTACTS)	SIZE: A1	RESTRICTED TO
Q.TY	MATERIAL	DESCRIPTION	ITEM	0 PLC ±0.2 1 PLC ±0.2 2 PLC ±0.2 3 PLC ±0.2 4 PLC ±0.2 ANGLES ±1°		PRODUCT SPEC 108-20238	CAGE CODE DRAWING NO: 116-18049-1	SCALE: 10:1	SHEET 1 OF 5
1	REVISIONE DELL'ASSEMBLATO (REVISION OF EACH ASSY NO)			MATERIAL: SEE TABLE	FINISH: SEE TABLE	APPLICATION SPEC	WEIGHT: -	REV: C2	
ELENCO DEI COMPONENTI (PARTS LIST)				CUSTOMER DRAWING		CAGE CODE DRAWING NO: 116-18049-1		SCALE: 10:1 SHEET 1 OF 5 REV: C2	

PCB LAYOUT -Soldering side-

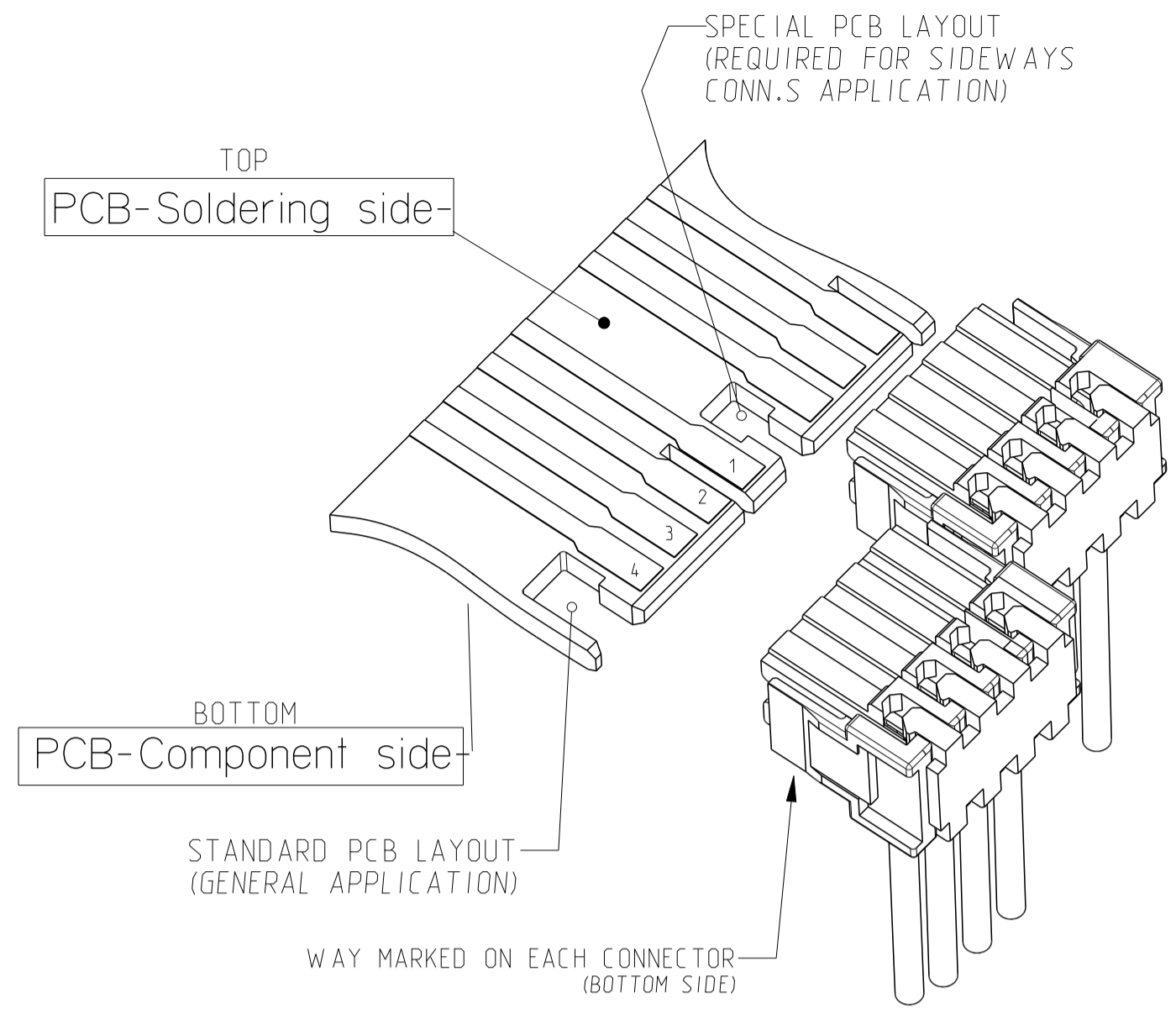
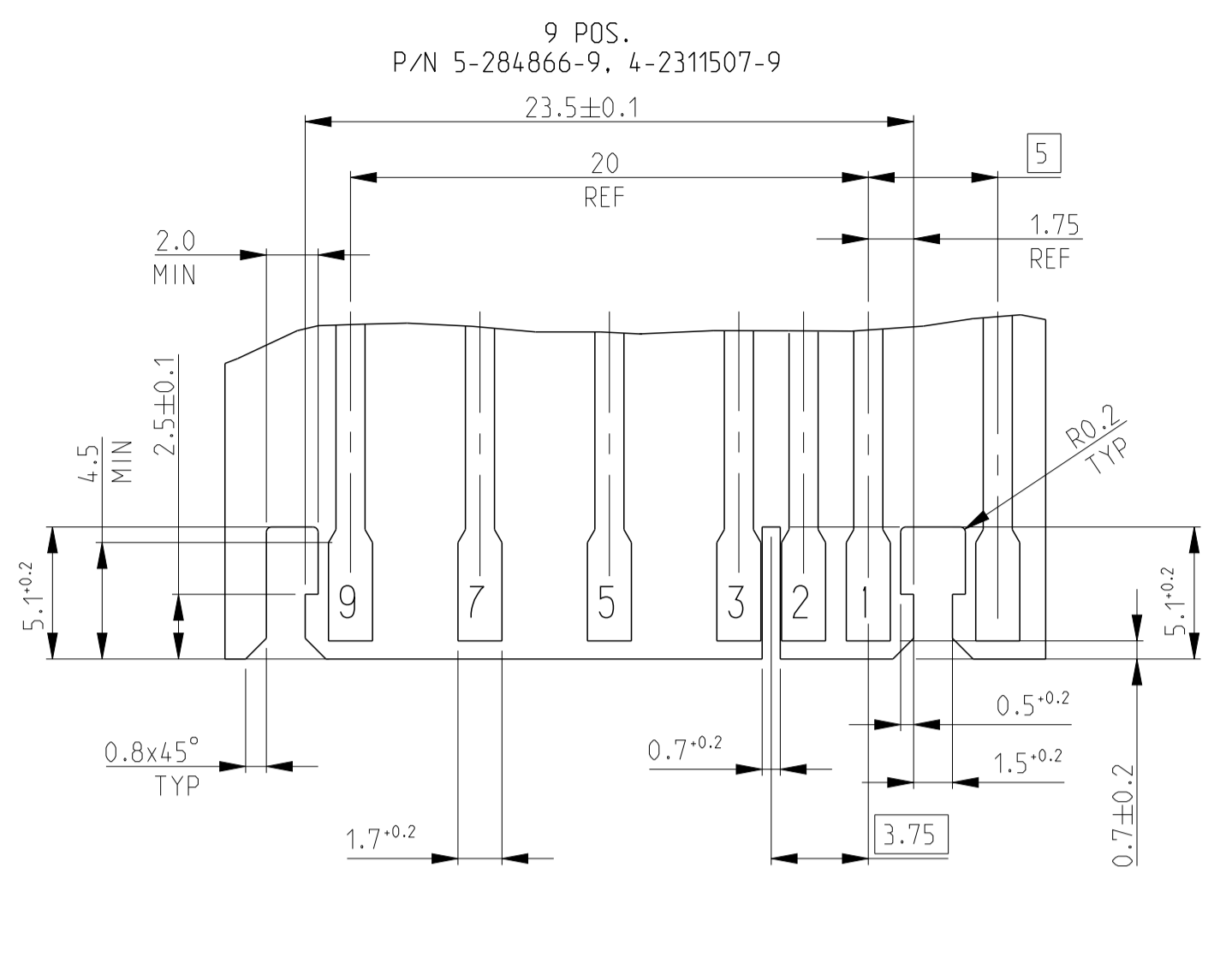
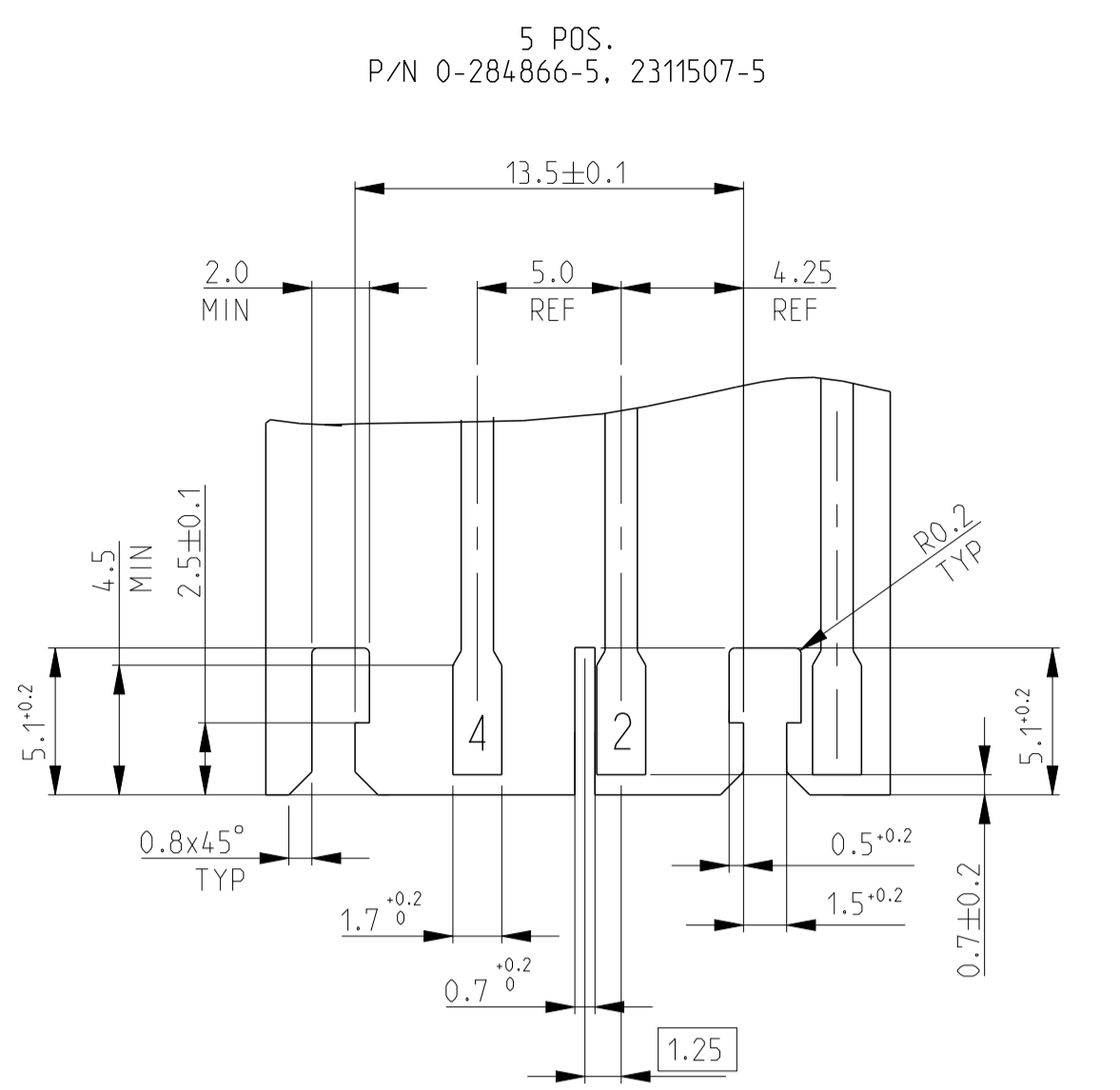
(SCALE 4:1)

REVISIONS				
P.	LTN.	DESCRIPTION	DATE	OWN APVD
-	-	SEE SHEET 1	-	-

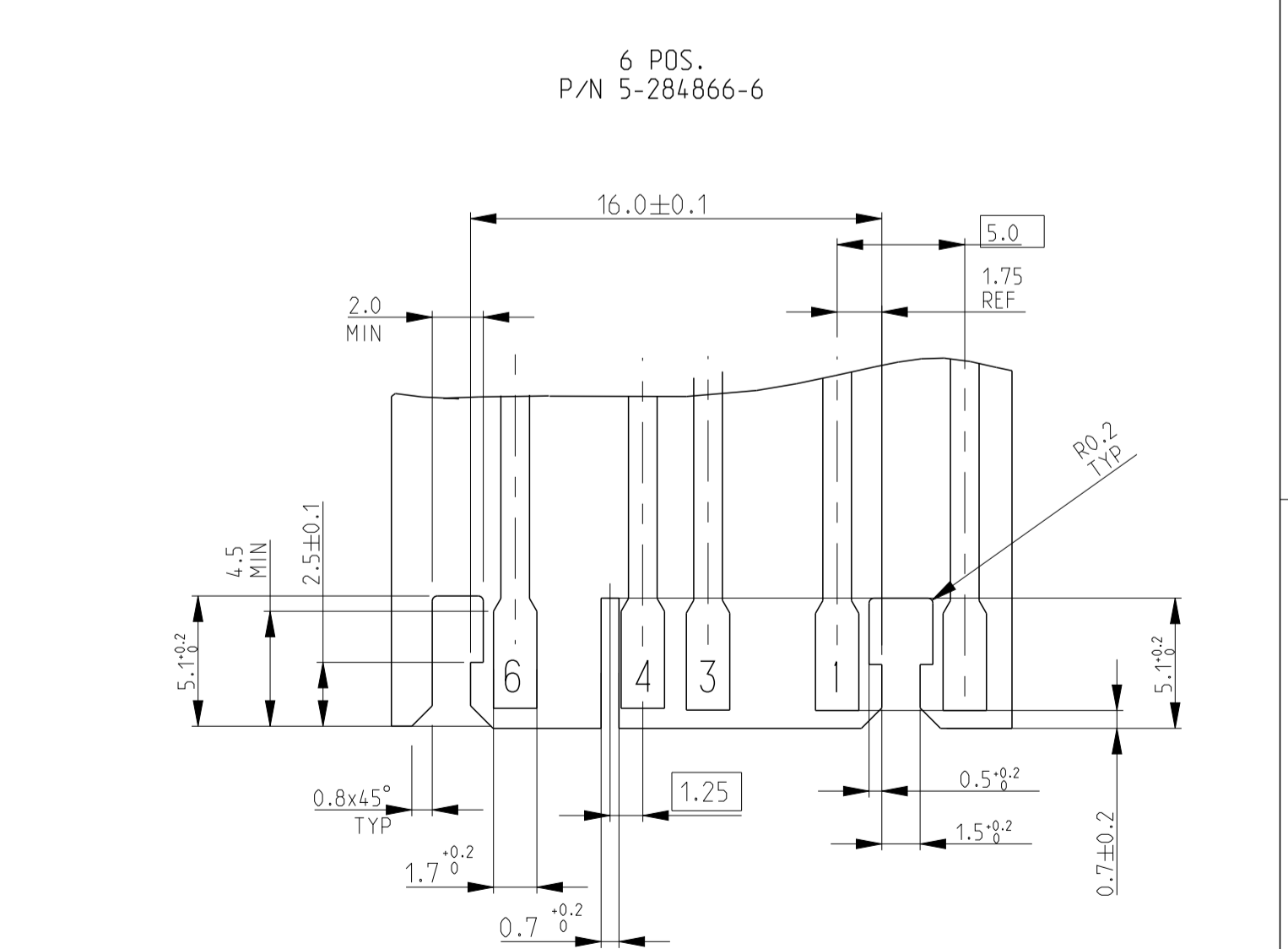
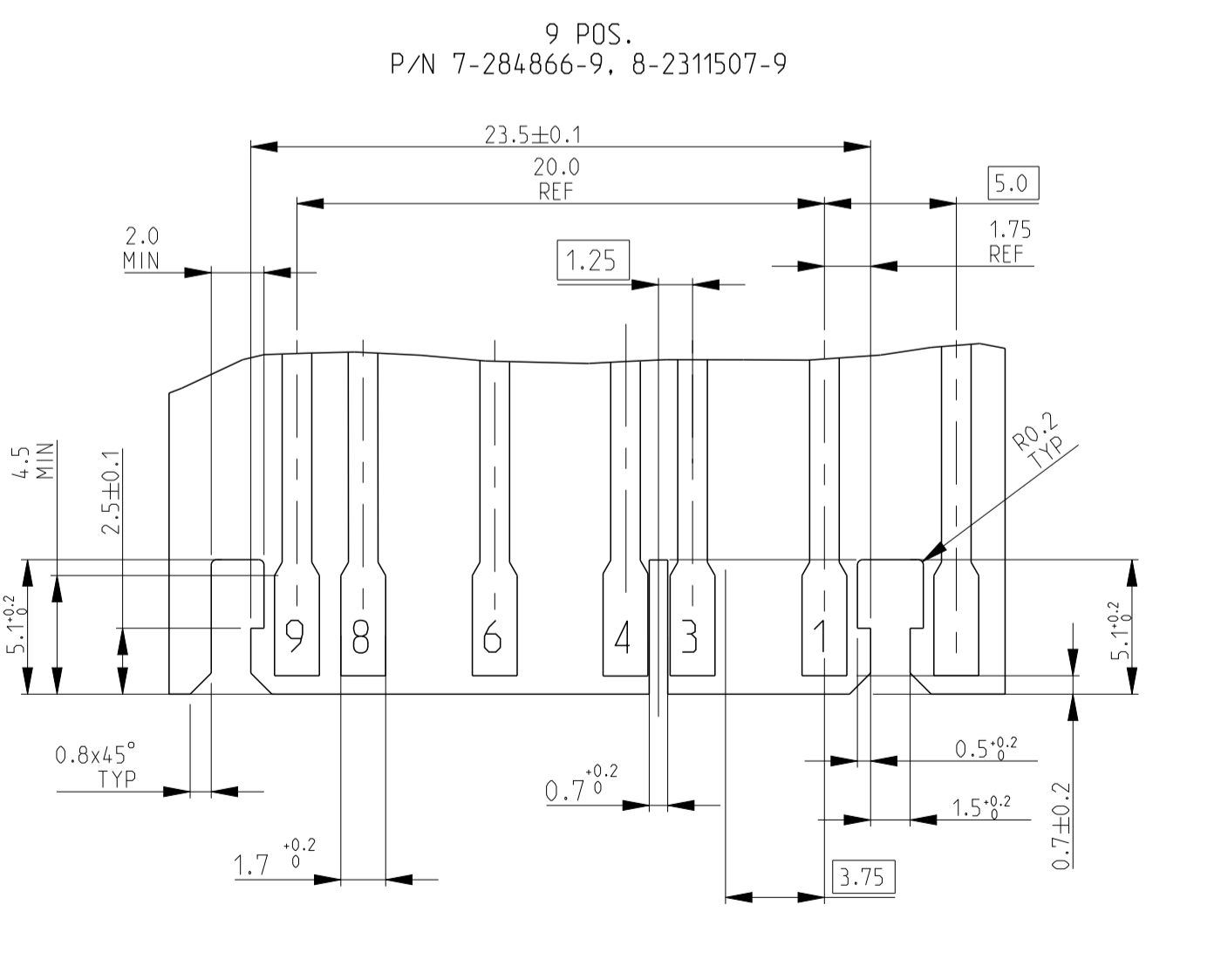
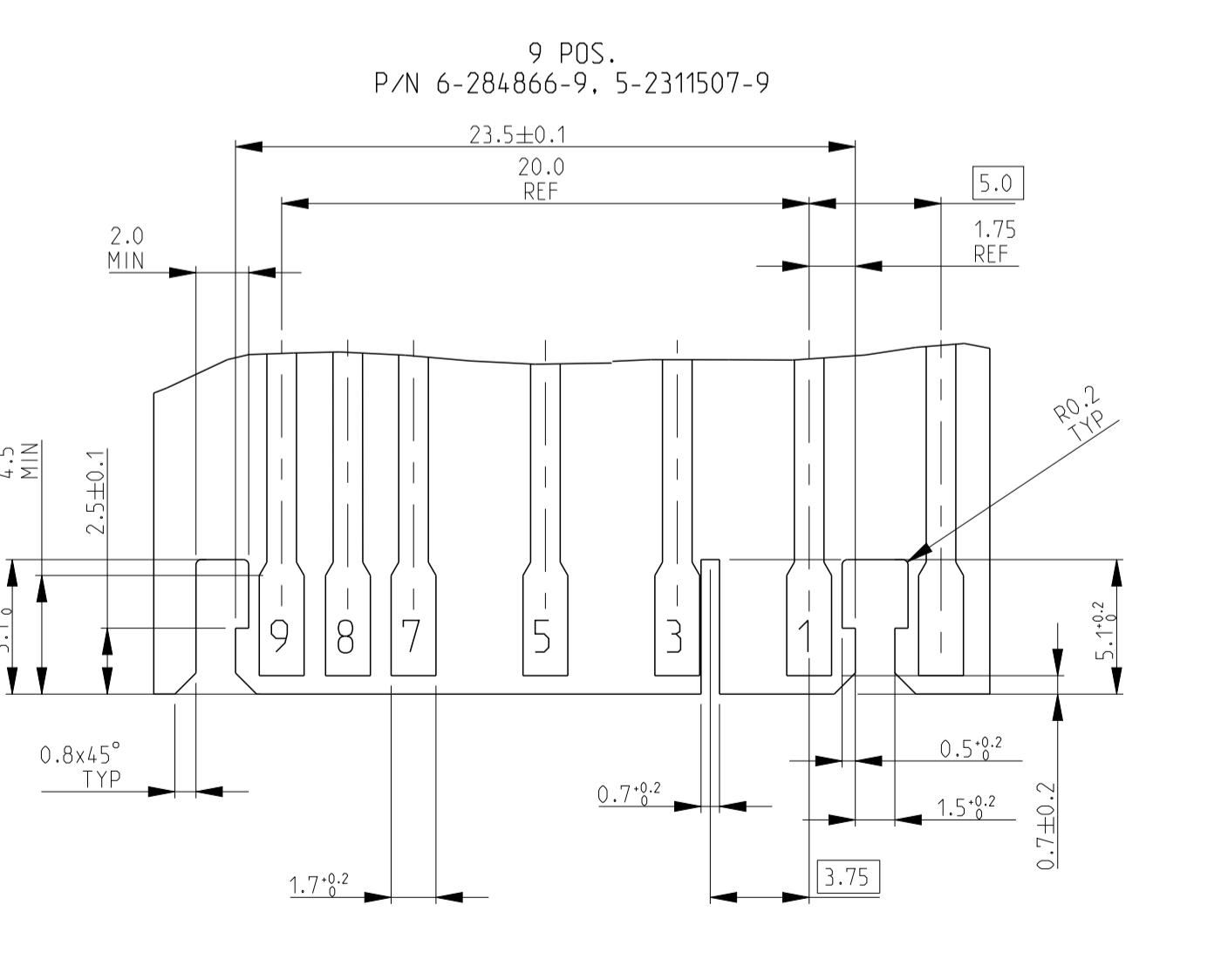
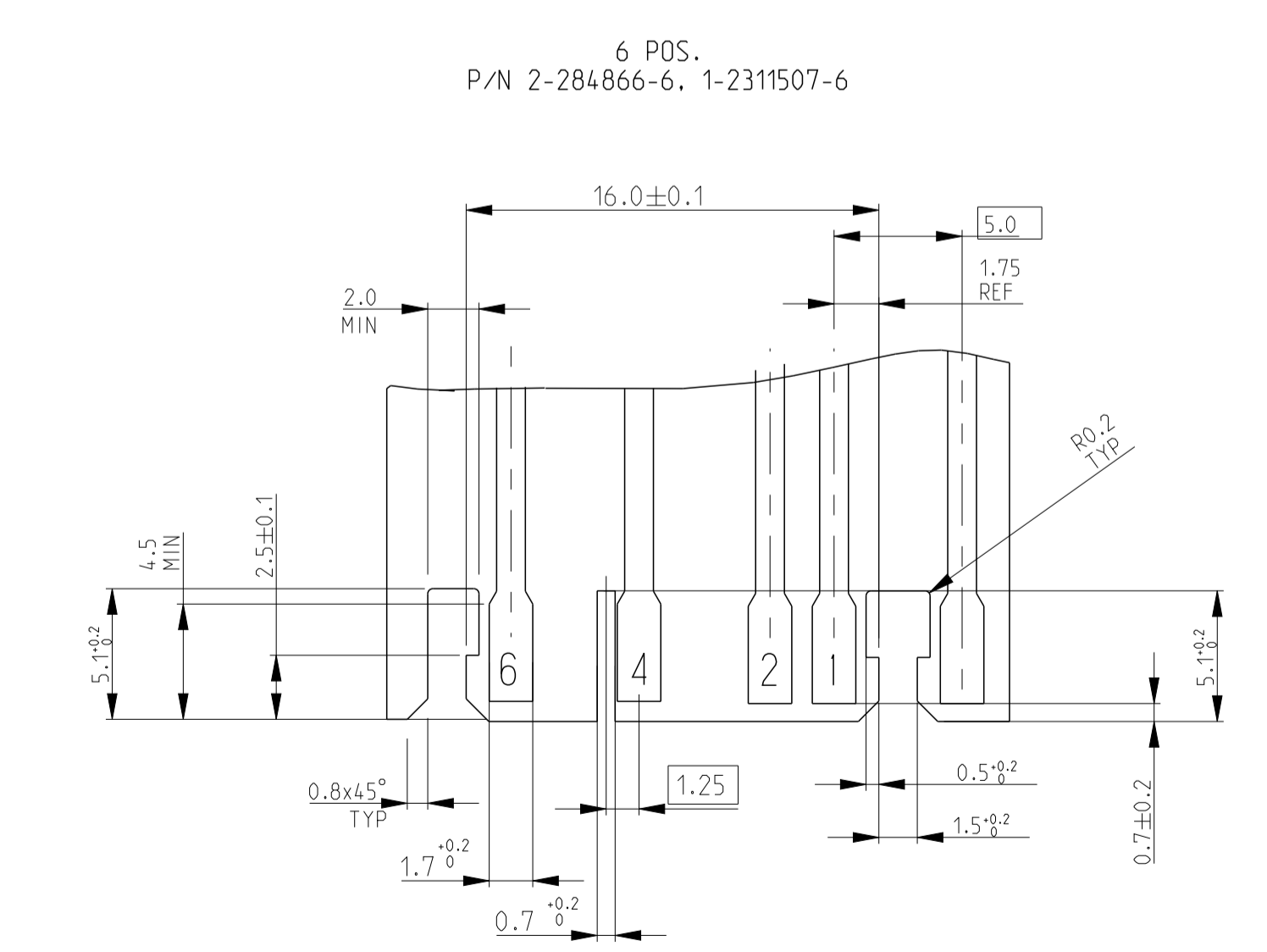
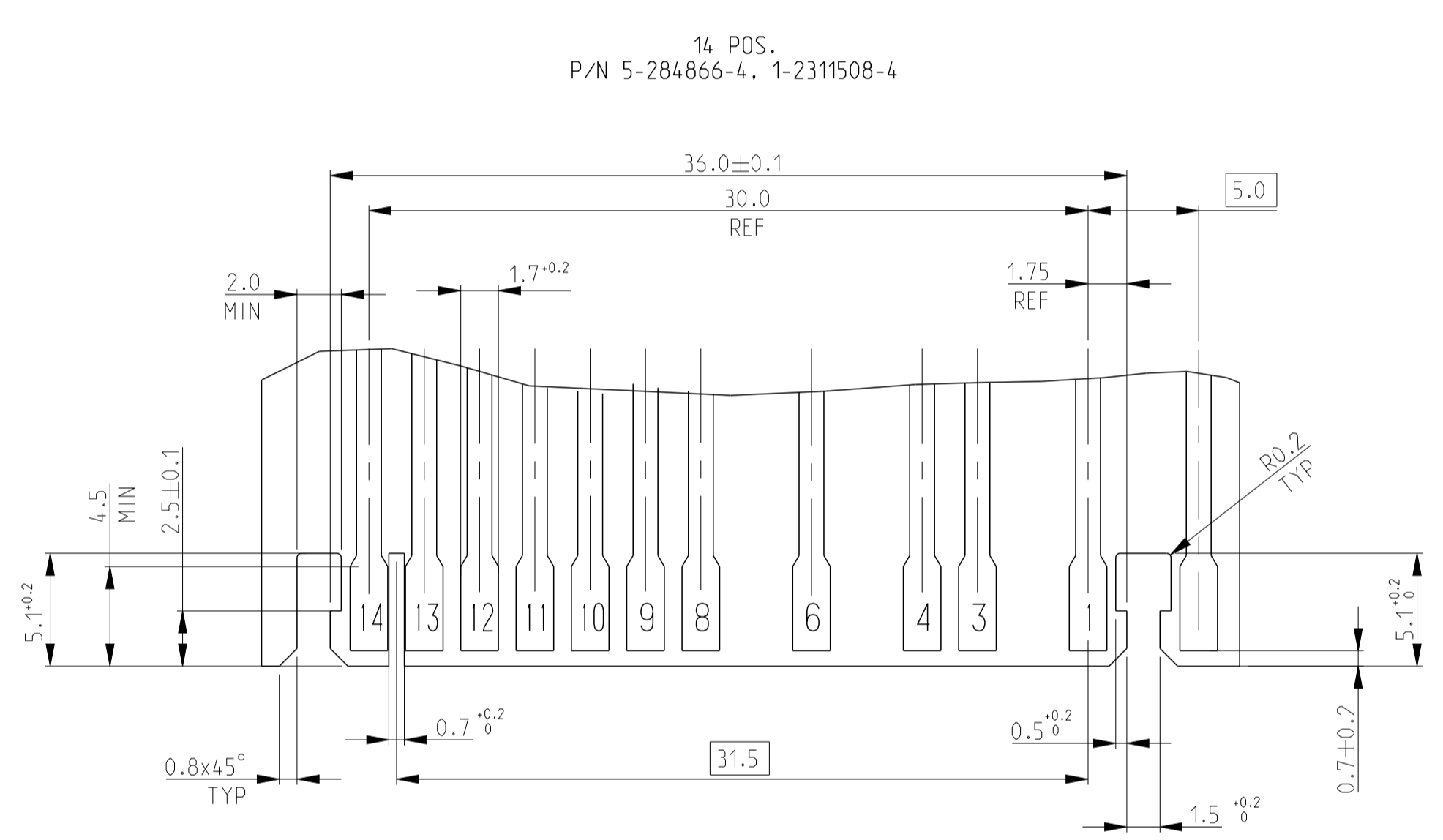
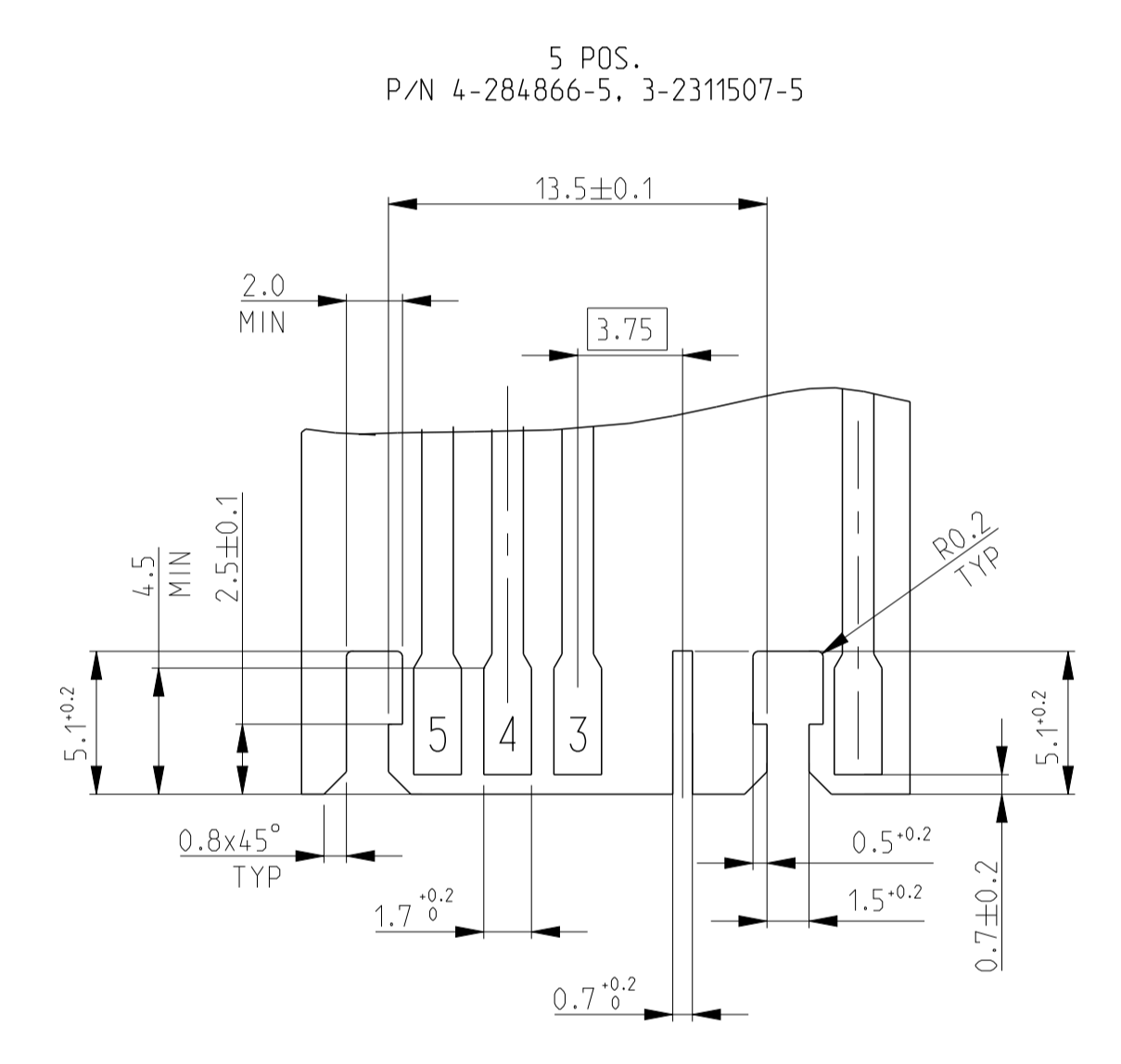
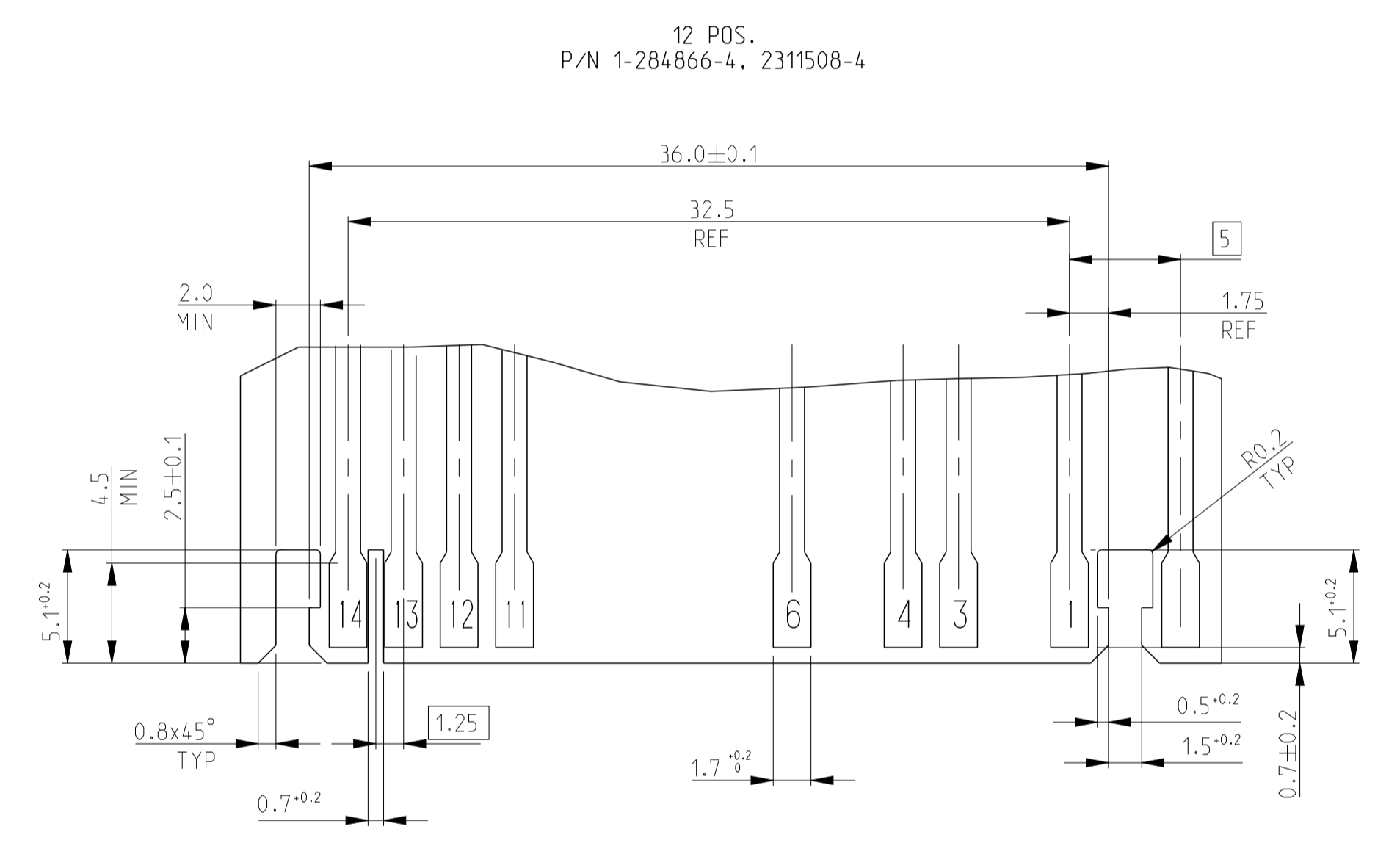


THIS DRAWING IS A CONTROLLED DOCUMENT.		OWN: R. FABRIS 03JUL2002	TE Connectivity NAME: DUOPLUG 2.5 FEMALE CONN., SIDE LOCKING, KEYED (SELECTIVELY LOADED CONTACTS)
DIMENSIONS: mm		CHK: -	
TOLERANCES UNLESS OTHERWISE SPECIFIED:		APVD: TURCO	SIZE: CAGE CODE DRAWING NO. RESTRICTED TO 116-18049-1 A1 00779 ©=284866
MATERIAL: SEE TABLE		FINISH: SEE TABLE	
WEIGHT: -		CUSTOMER DRAWING	SCALE: 6:1 SHEET 2 OF 5 REV: C2

REVISIONS				
P.	LTN.	DESCRIPTION	DATE	APPV.
-	-	SEE SHEET 1	-	-



CONNECTION LAYOUT
 E.G P/N 0-284865-4
 (SCALE 4:1)

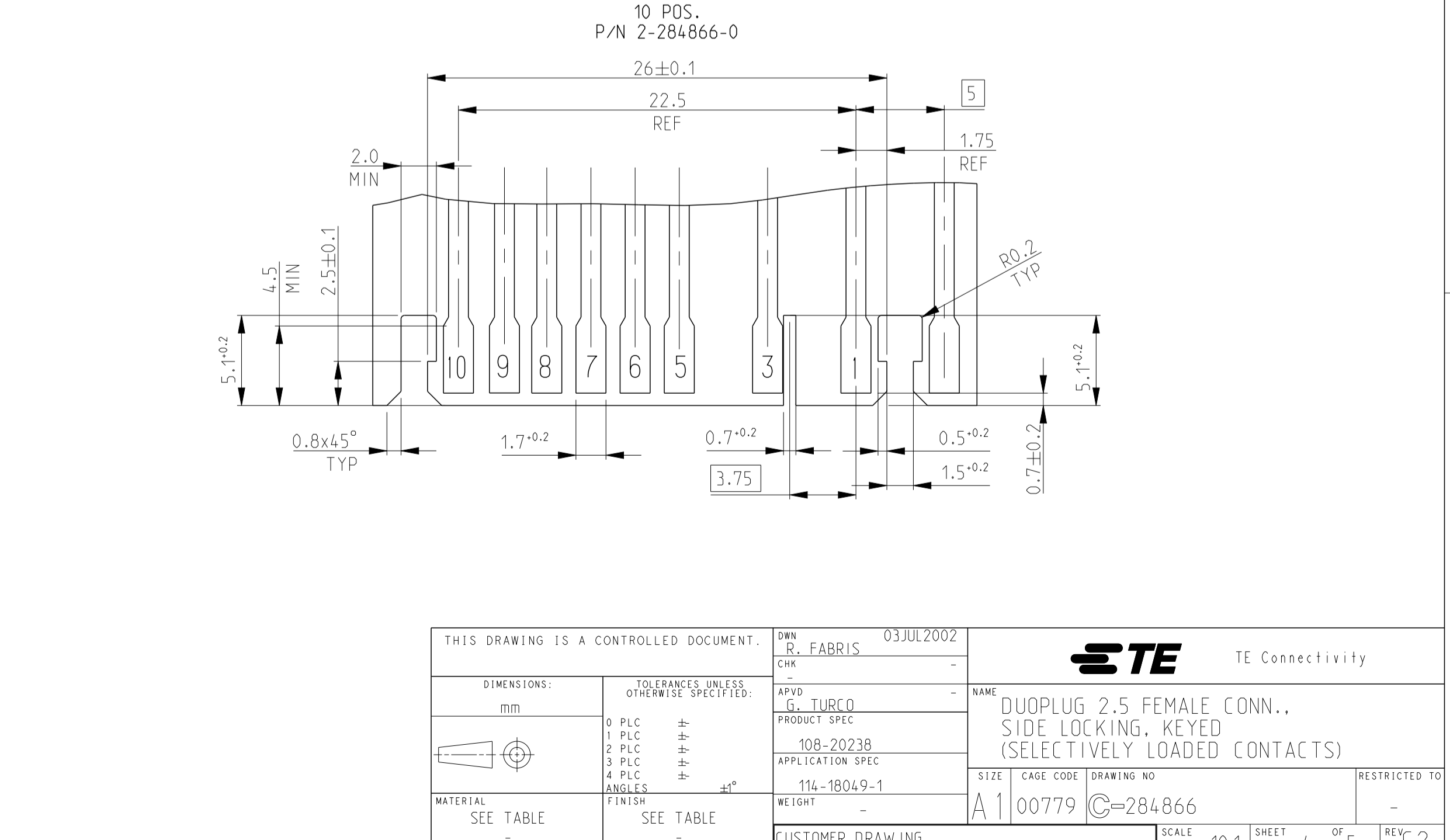
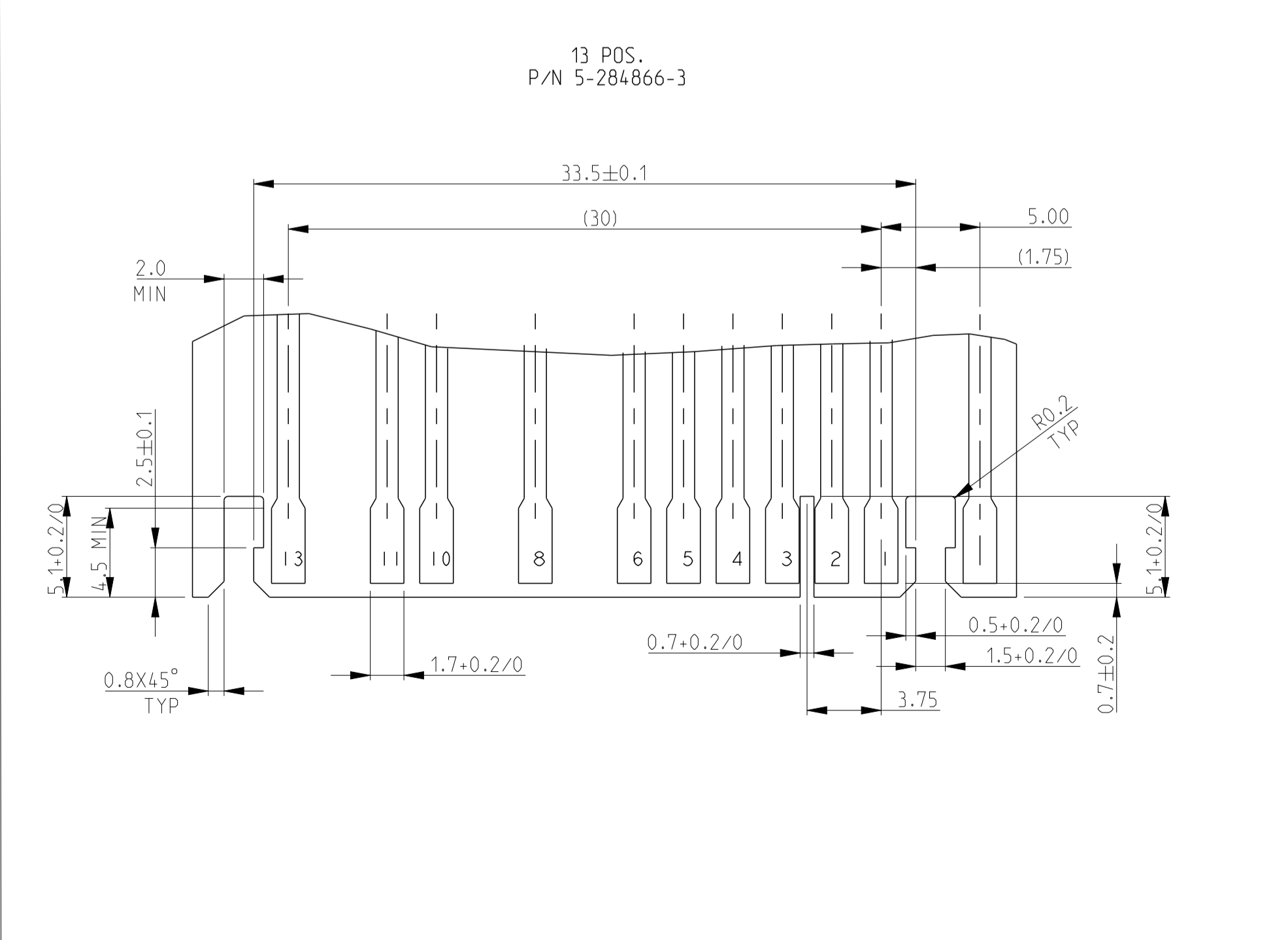
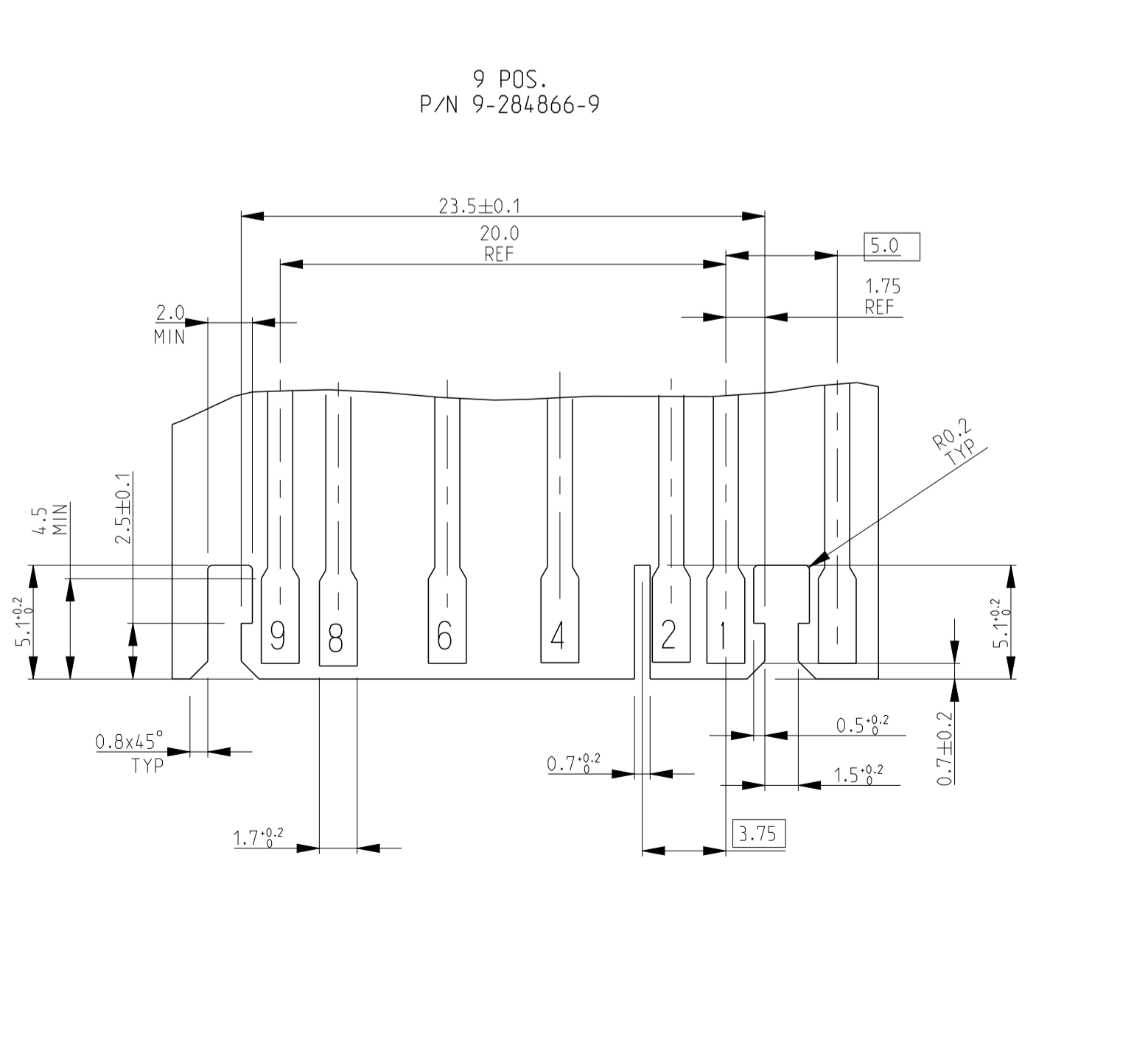
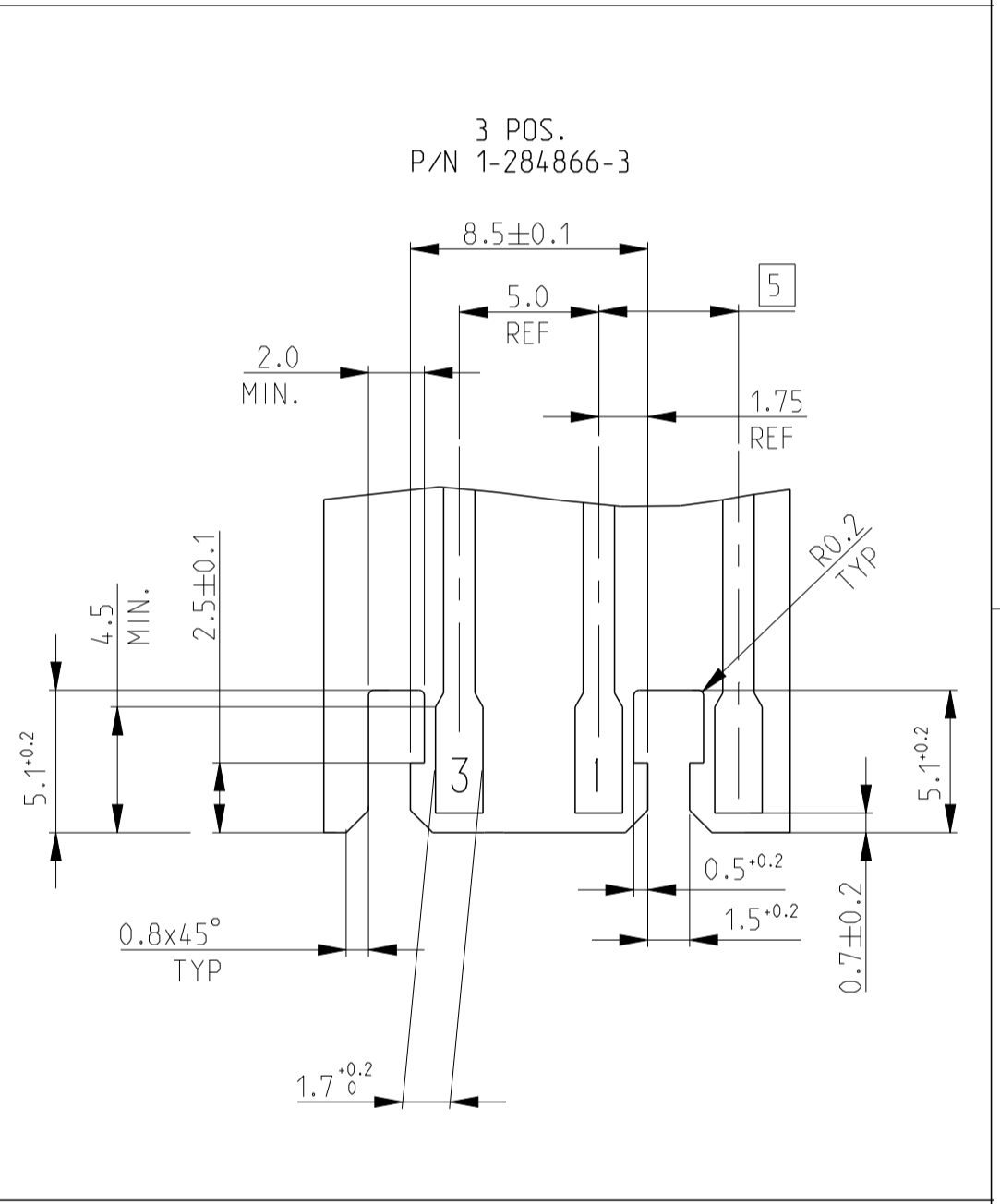
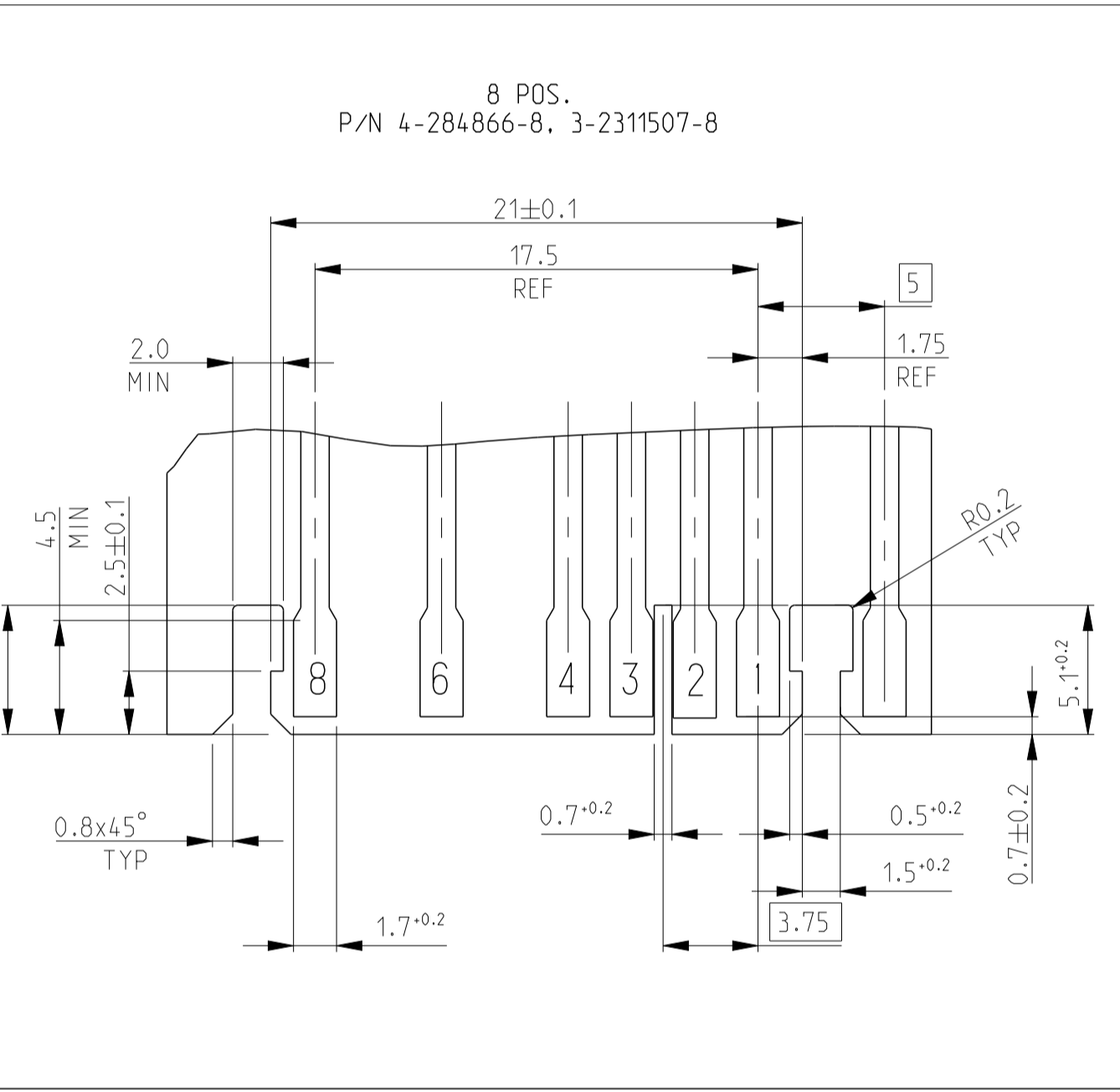
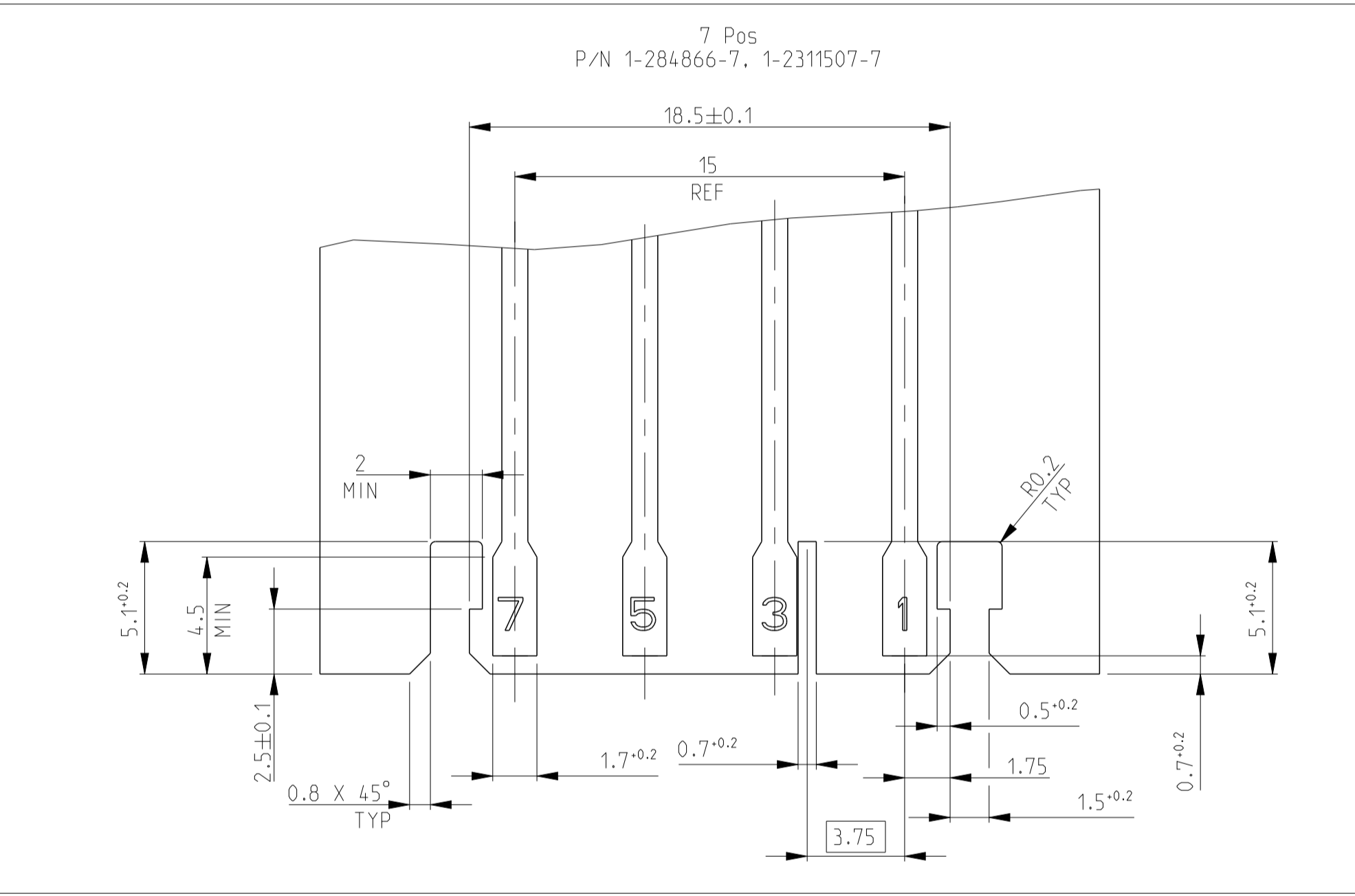
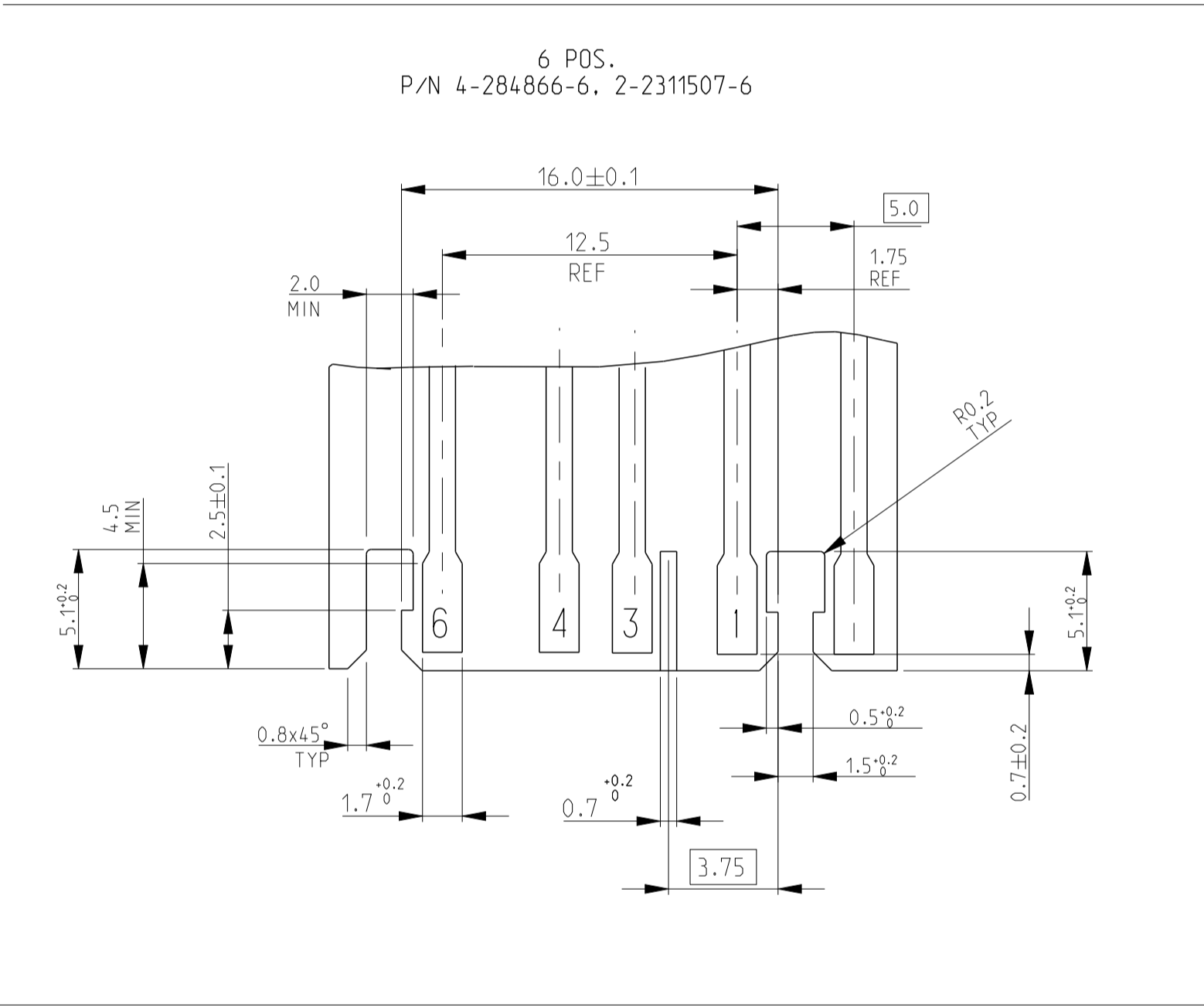
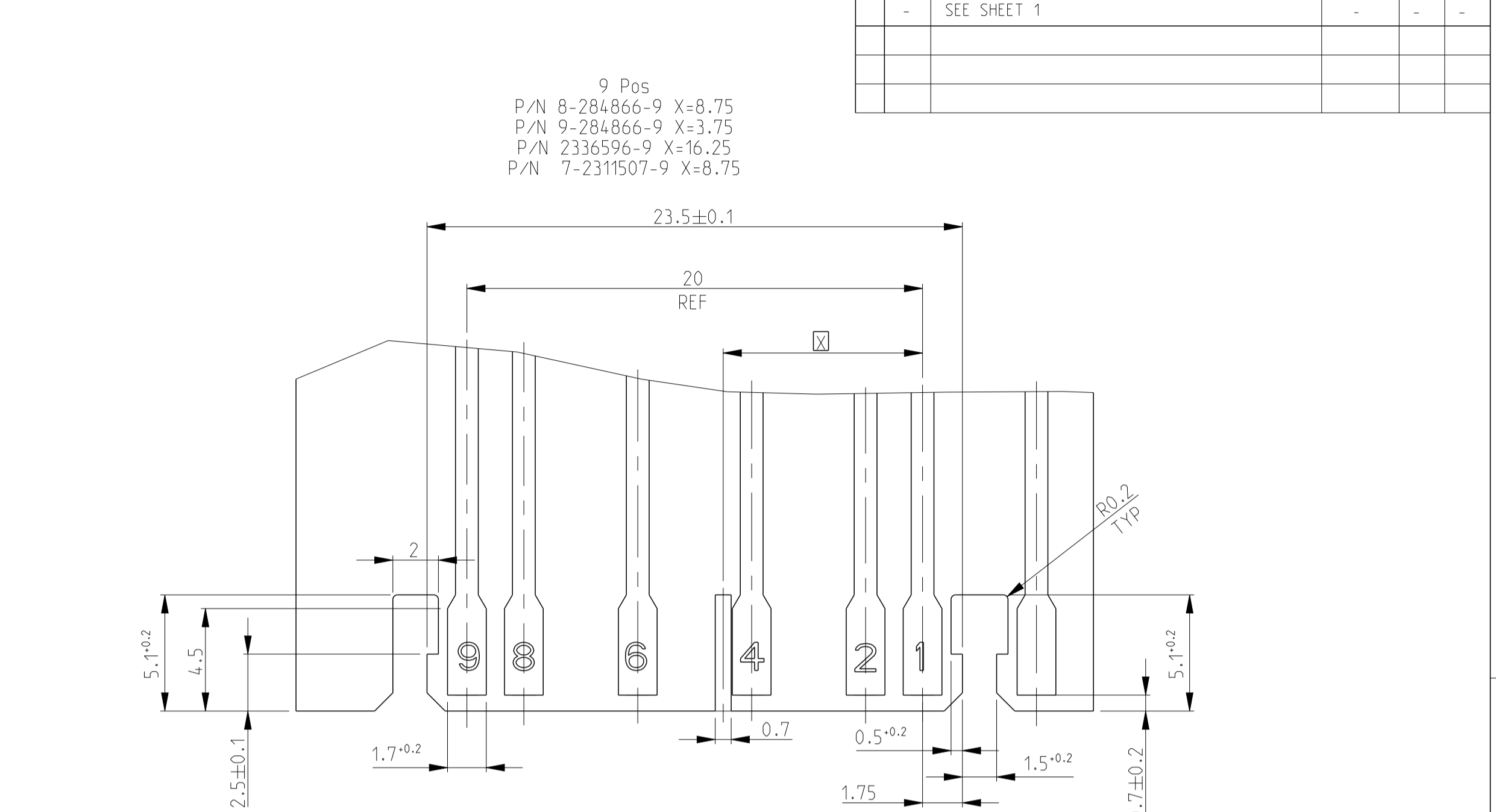
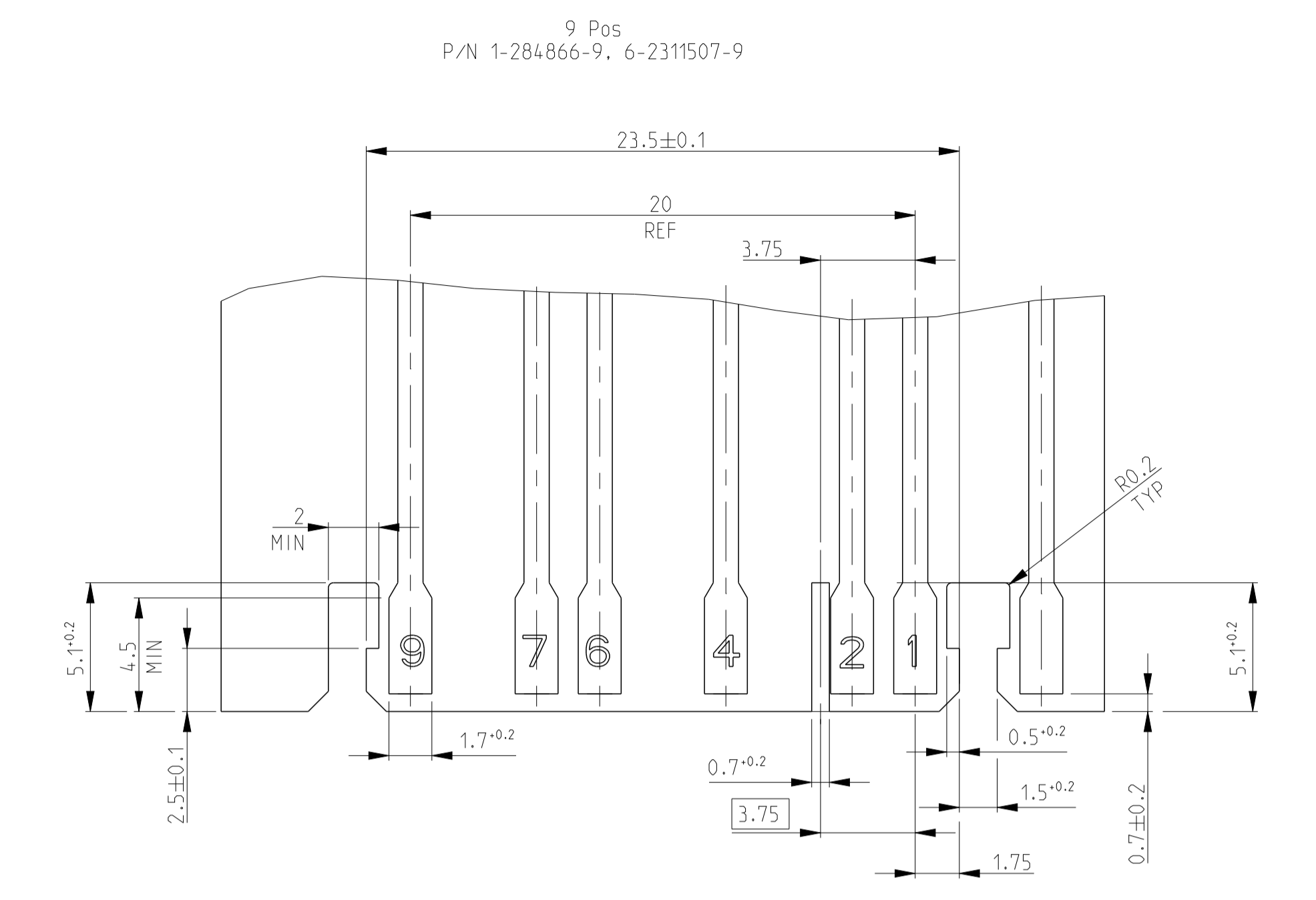
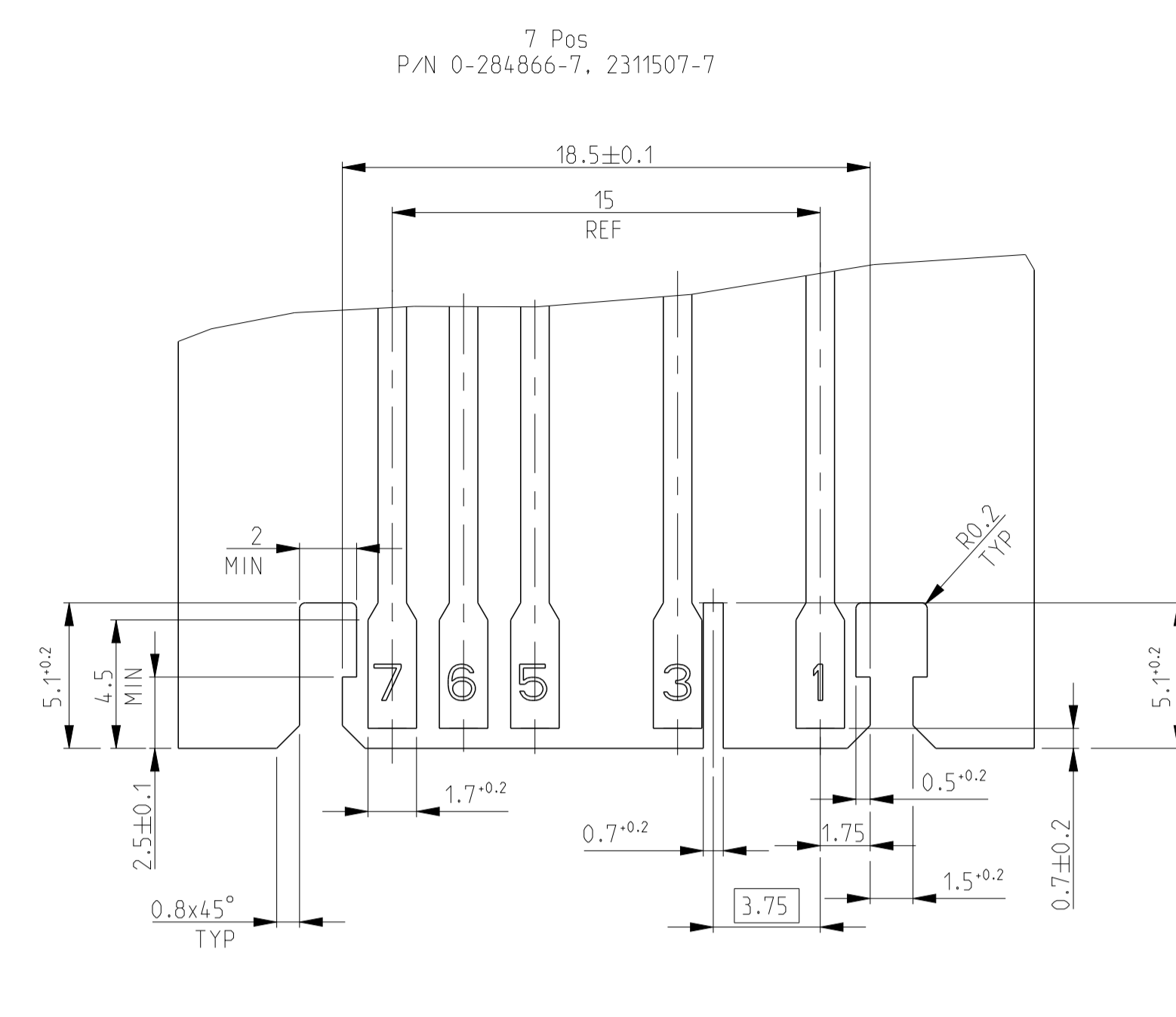


THIS DRAWING IS A CONTROLLED DOCUMENT. OWN: R. FABRIS 03JUL2002
 CHK: -

DIMENSIONS: mm	TOLERANCES UNLESS OTHERWISE SPECIFIED:	APV: TURCO	NAME: DUOPLUG 2.5 FEMALE CONN. SIDE LOCKING, KEYED (SELECTIVELY LOADED CONTACTS)
	0 PLC # # # #	PRODUCT SPEC	
	2 PLC # # # #	108-20238	SIZE: CAGE CODE DRAWING NO
	3 PLC # # # #	APPLICATION SPEC	RESTRICTED TO
	4 PLC # # # #	116-18049-1	A1 00779 C=284866
MATERIAL: SEE TABLE	FINISH: SEE TABLE	WEIGHT: -	SCALE: 6:1 SHEET 3 OF 5 REV: C2

CUSTOMER DRAWING

REVISIONS				
P	LTN	DESCRIPTION	DATE	OWN APVD
-	-	SEE SHEET 1	-	-

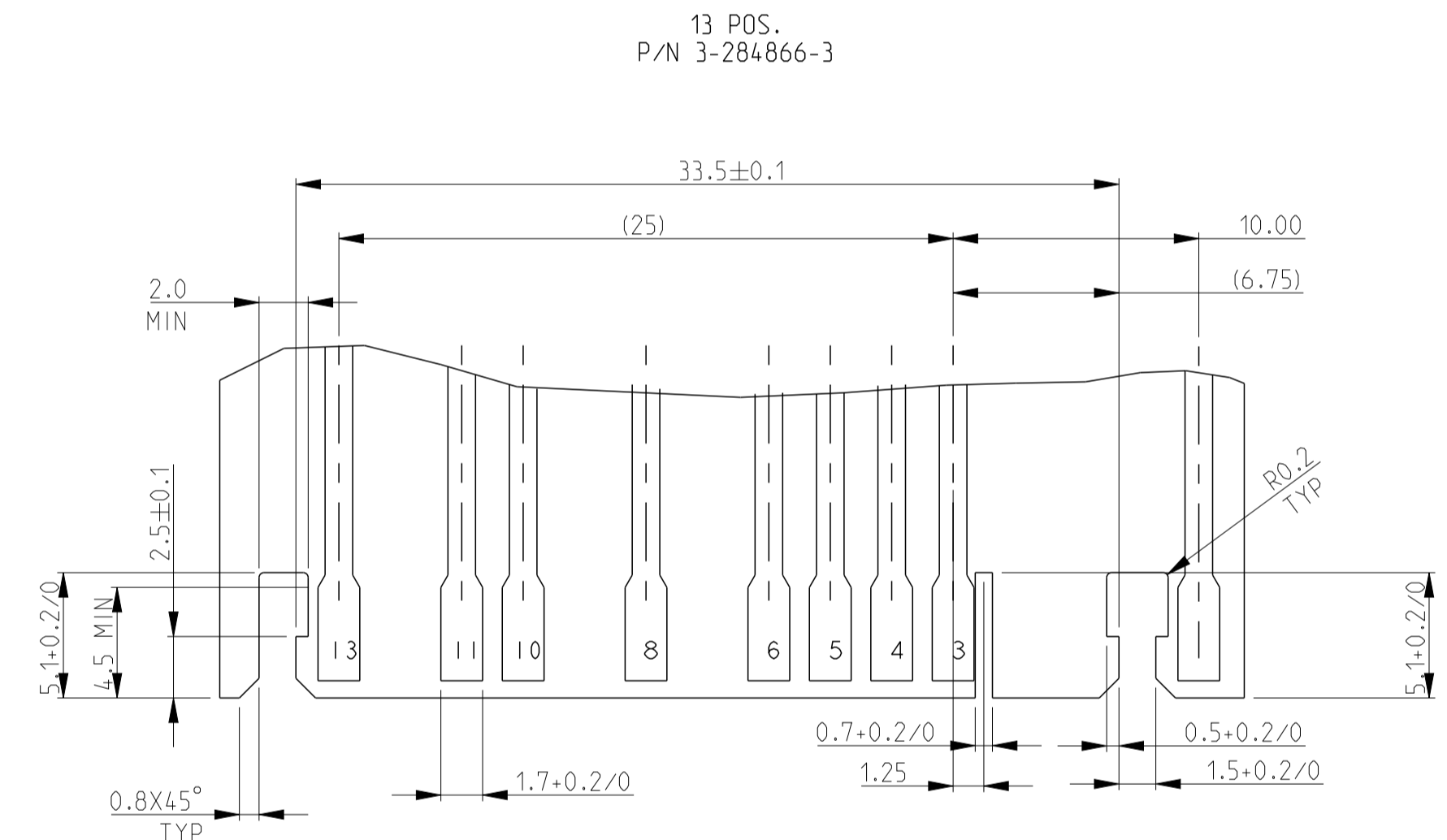
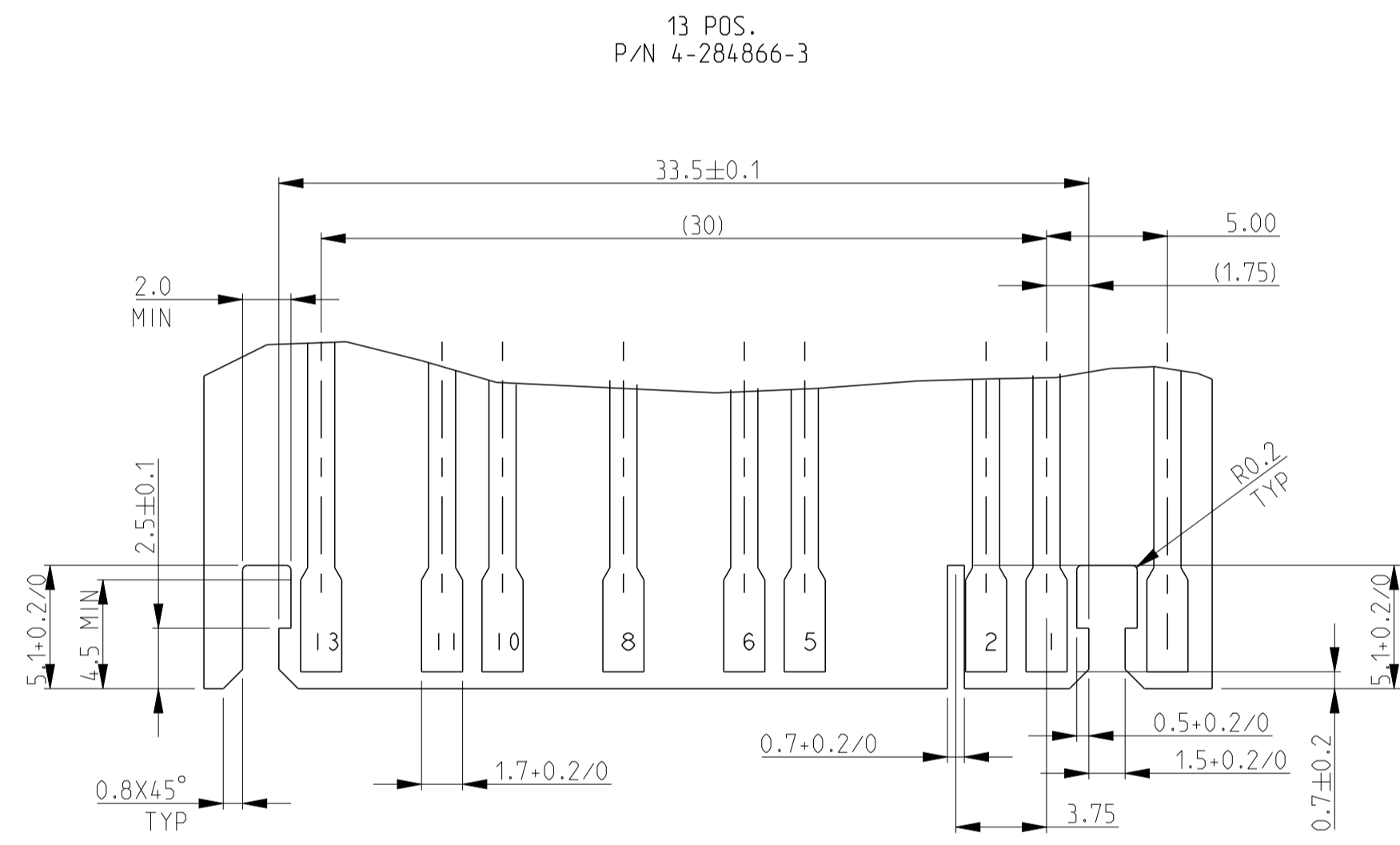
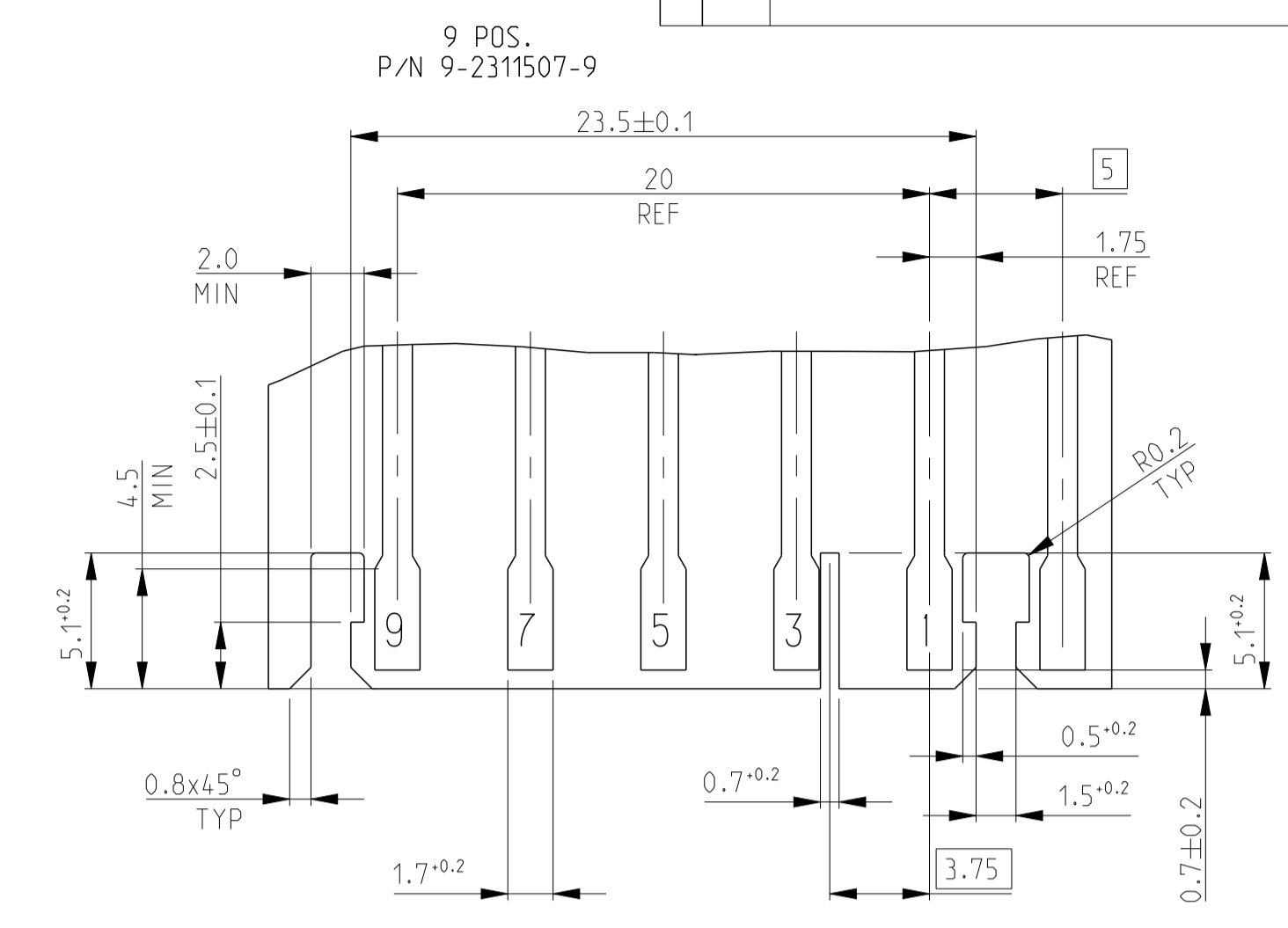
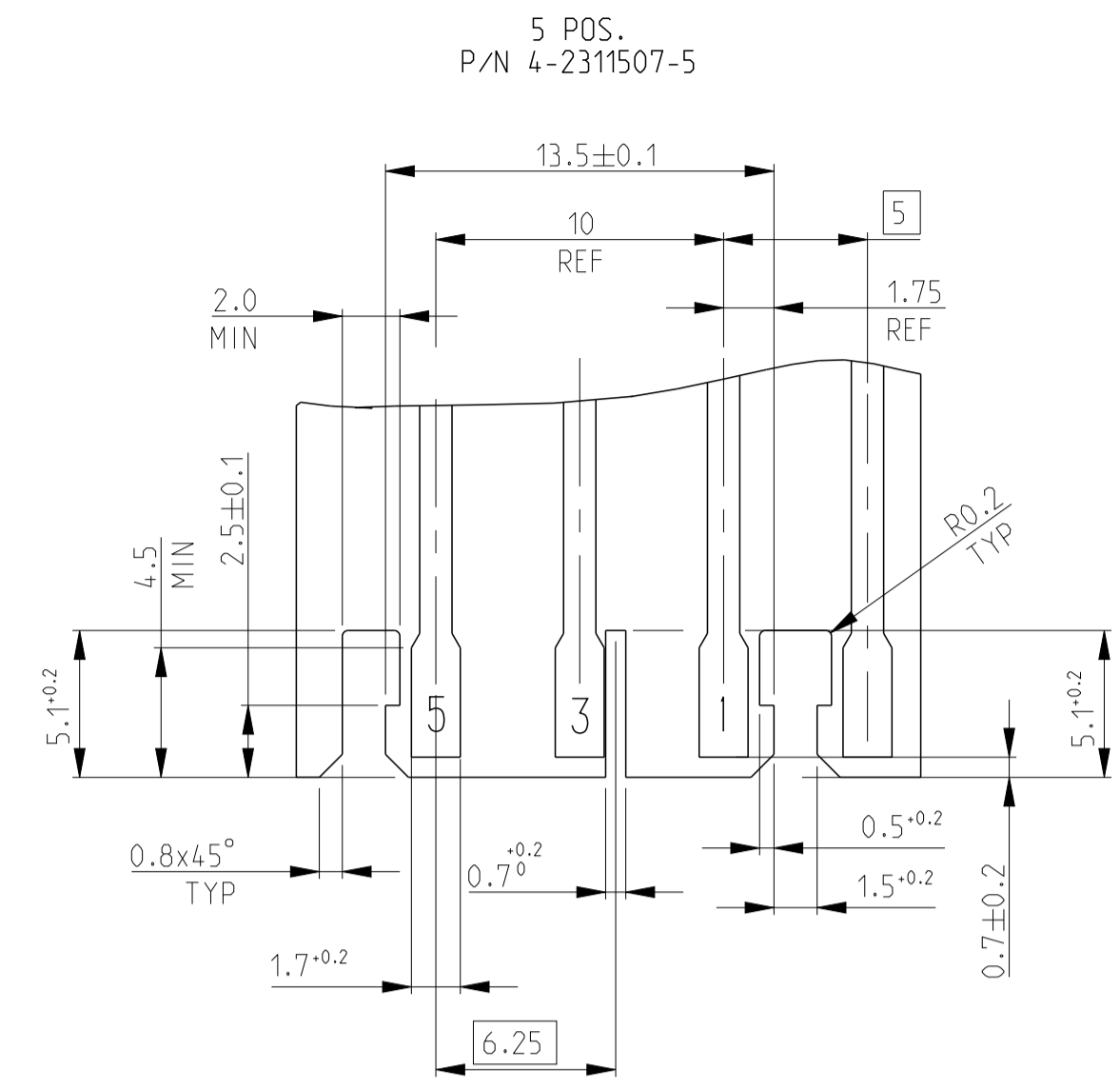
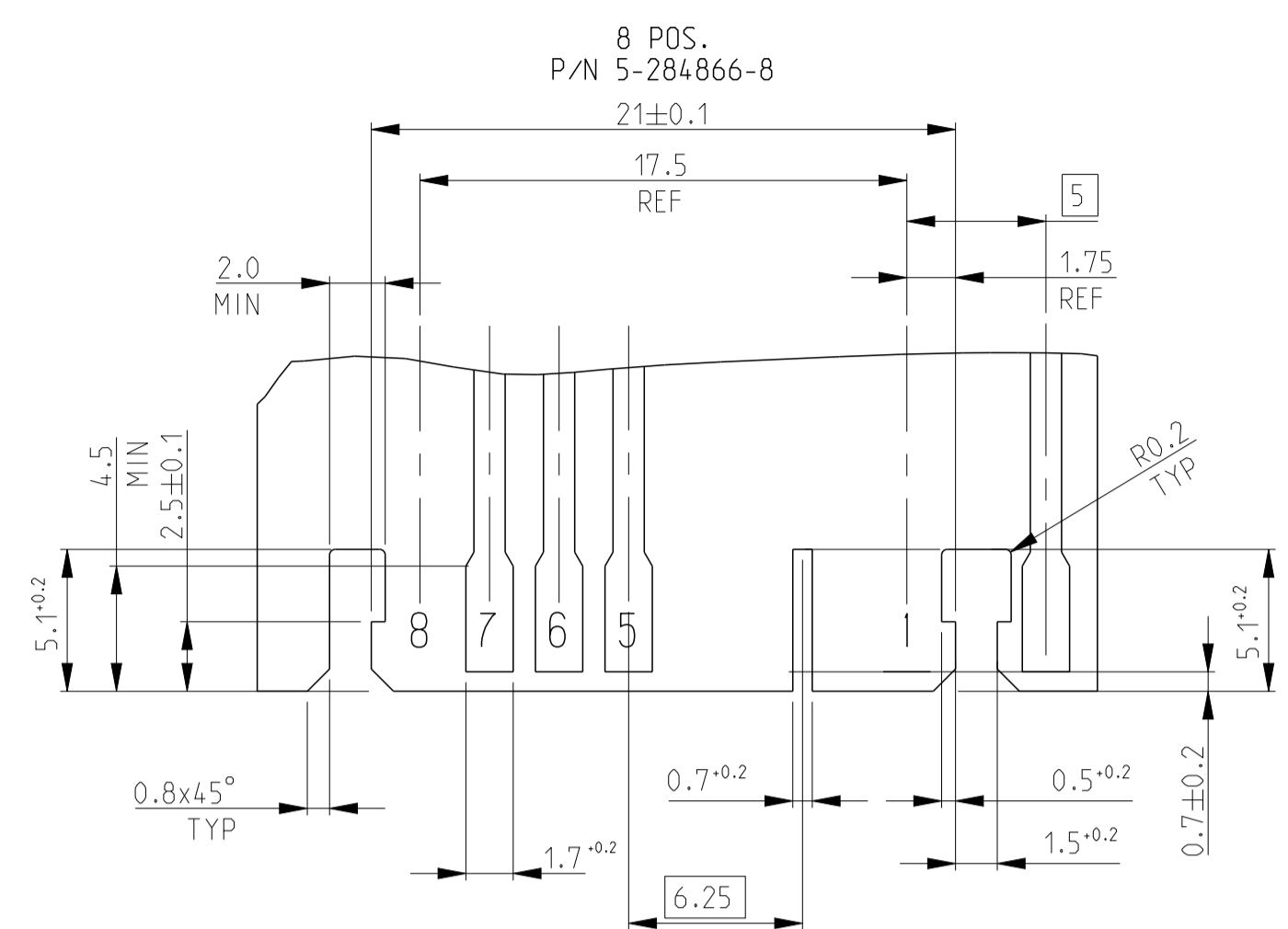


THIS DRAWING IS A CONTROLLED DOCUMENT. OWN: R. FABRIS 03JUL2002
 CHK: -
 DIMENSIONS: mm
 TOLERANCES UNLESS OTHERWISE SPECIFIED:
 0 PLC # # #
 1 PLC # # #
 2 PLC # # #
 3 PLC # # #
 4 PLC # # #
 ANGLES # # # °
 MATERIAL: SEE TABLE
 FINISH: SEE TABLE

NAME: DUOPLUG 2.5 FEMALE CONN., SIDE LOCKING, KEYED (SELECTIVELY LOADED CONTACTS)
 PRODUCT SPEC: 108-20238
 APPLICATION SPEC: 116-18049-1
 WEIGHT: -
 CUSTOMER DRAWING

SCALE: 10:1
 SHEET: 4 OF 5
 REV: C2

REVISIONS				
P.	LTN.	DESCRIPTION	DATE	APVD.
-	-	SEE SHEET 1	-	-



THIS DRAWING IS A CONTROLLED DOCUMENT.		OWN R. FABRIS	03JUL2002		TE Connectivity
DIMENSIONS: mm		CHK -	APVD S. TURCO		NAME DUOPLUG 2.5 FEMALE CONN., SIDE LOCKING, KEYED (SELECTIVELY LOADED CONTACTS)
TOLERANCES UNLESS OTHERWISE SPECIFIED:		APVD S. TURCO		PRODUCT SPEC	
0 PLC		108-20238		APPLICATION SPEC	
1 PLC		116-18049-1		RESTRICTED TO	
2 PLC		-		SIZE A1	
3 PLC		-		CAGE CODE 00779	
4 PLC		-		DRAWING NO C=284866	
ANGLES		-		SHEET 5 OF 5	
FINISH		-		REV. 2	
MATERIAL SEE TABLE		WEIGHT -		CUSTOMER DRAWING	
SCALE 10:1		SHEET 5 OF 5		REV. 2	