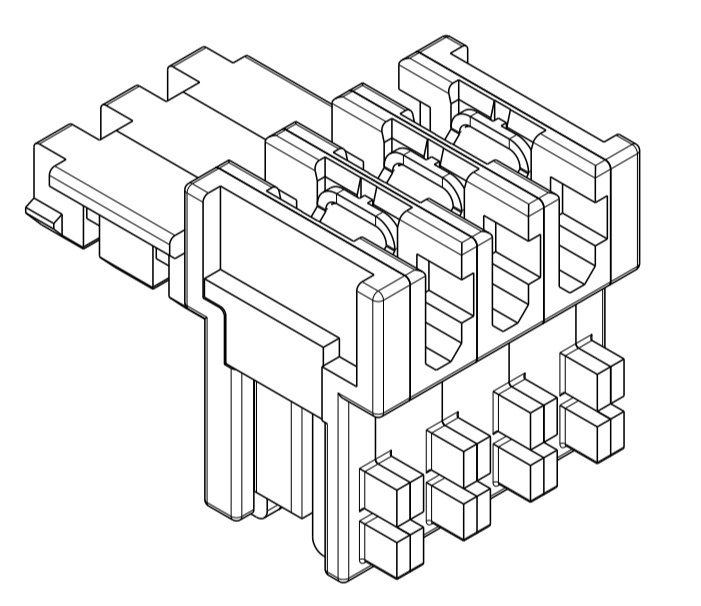
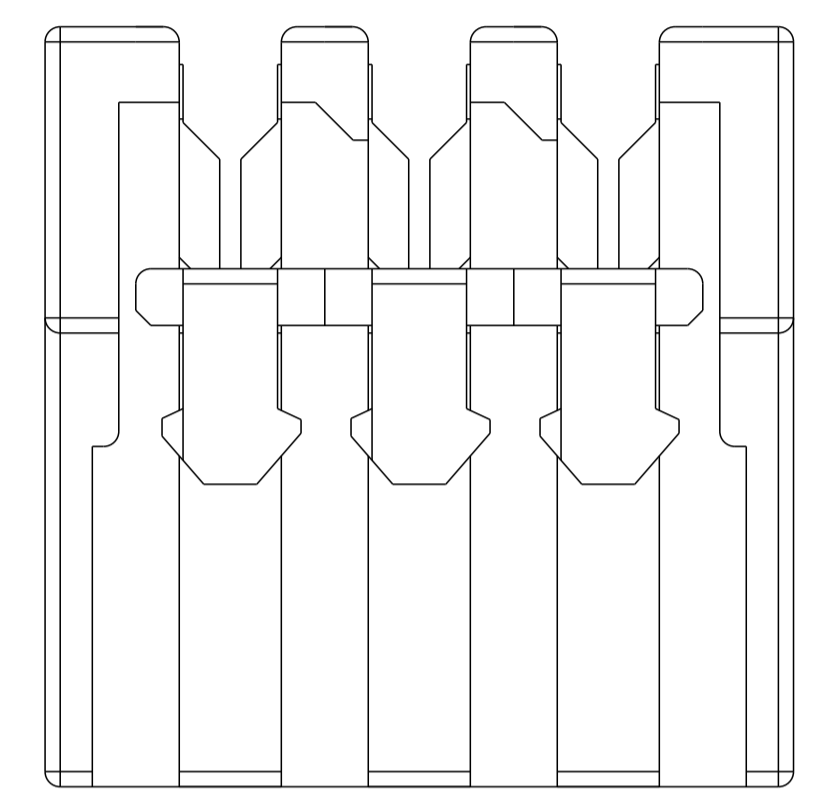
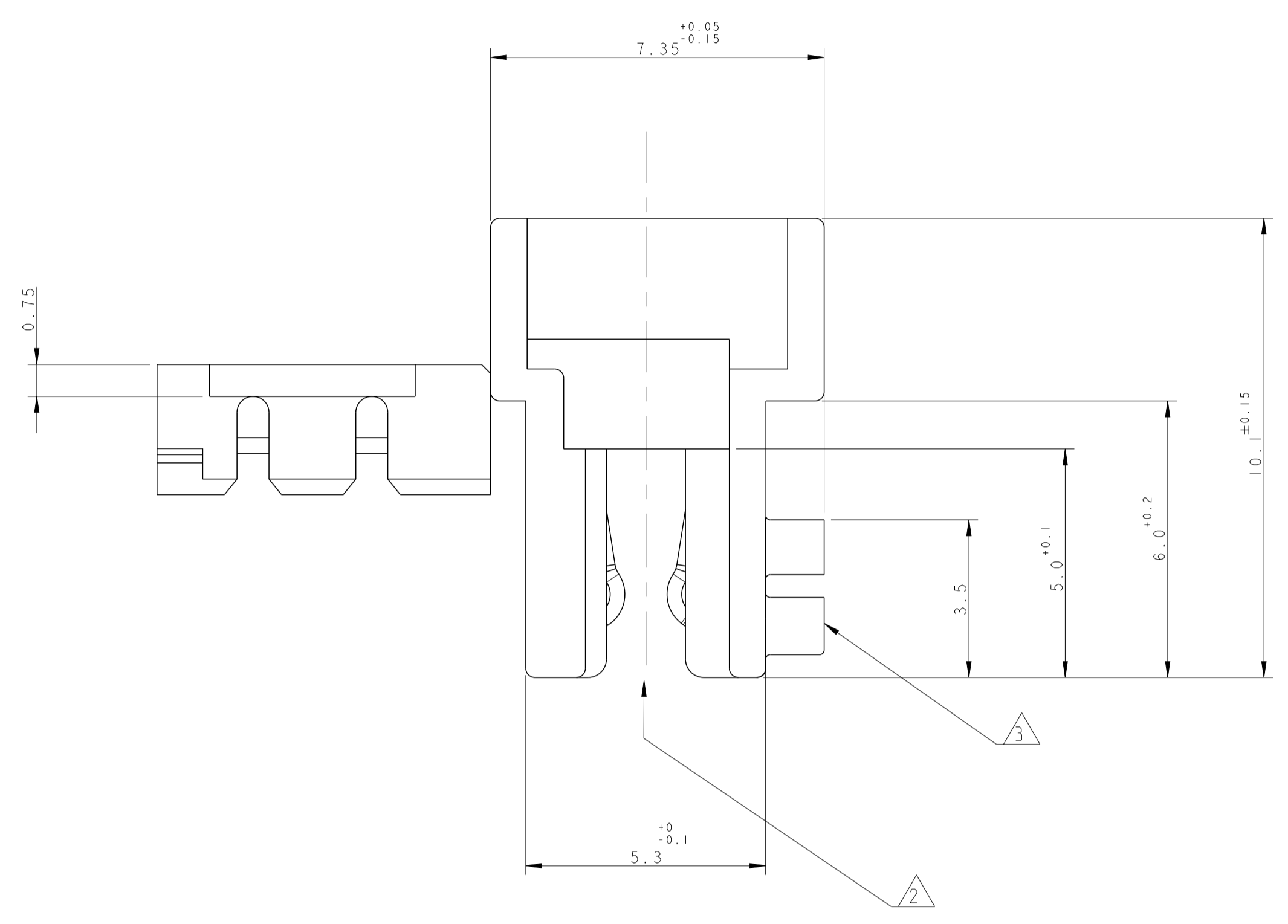
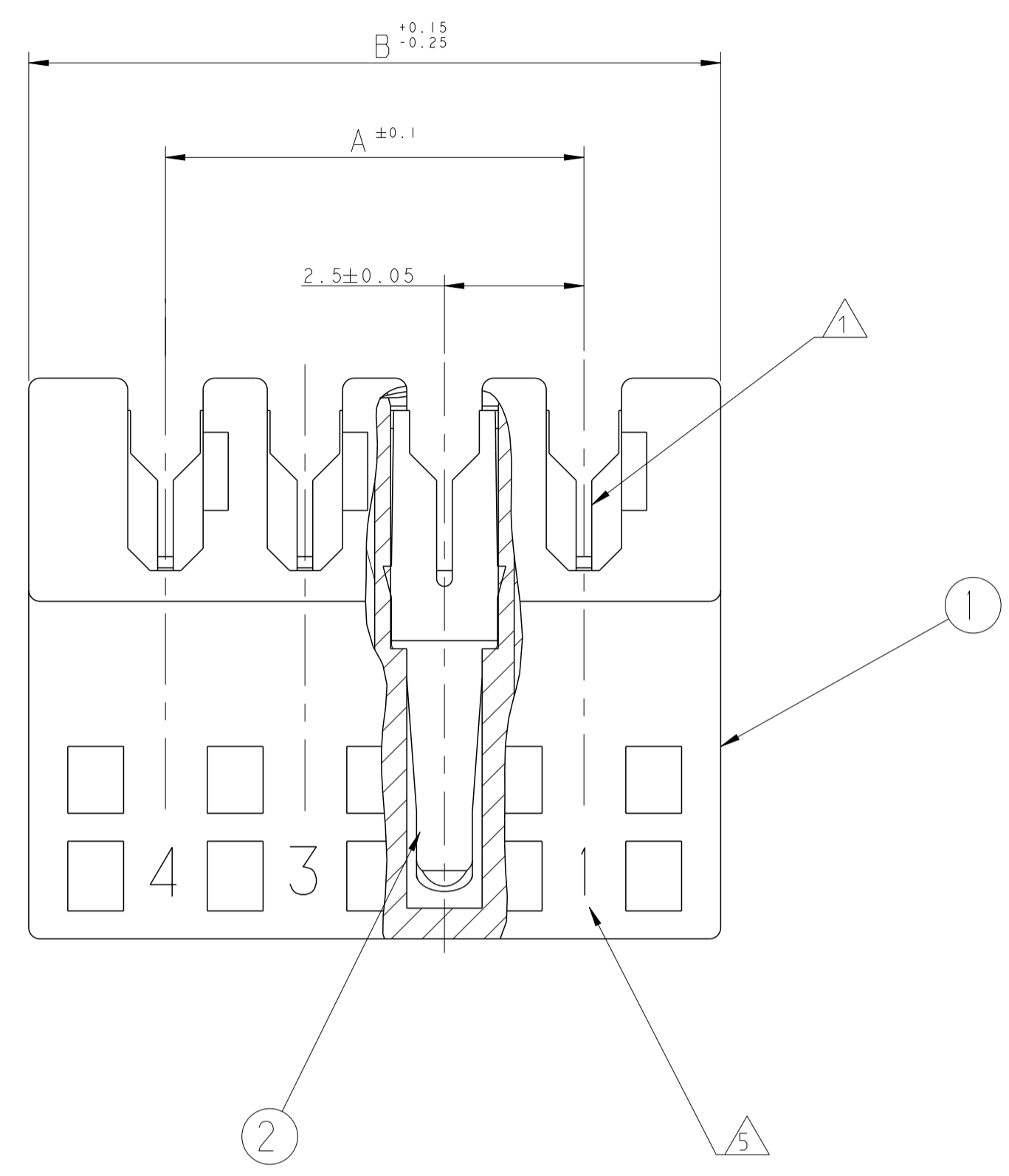
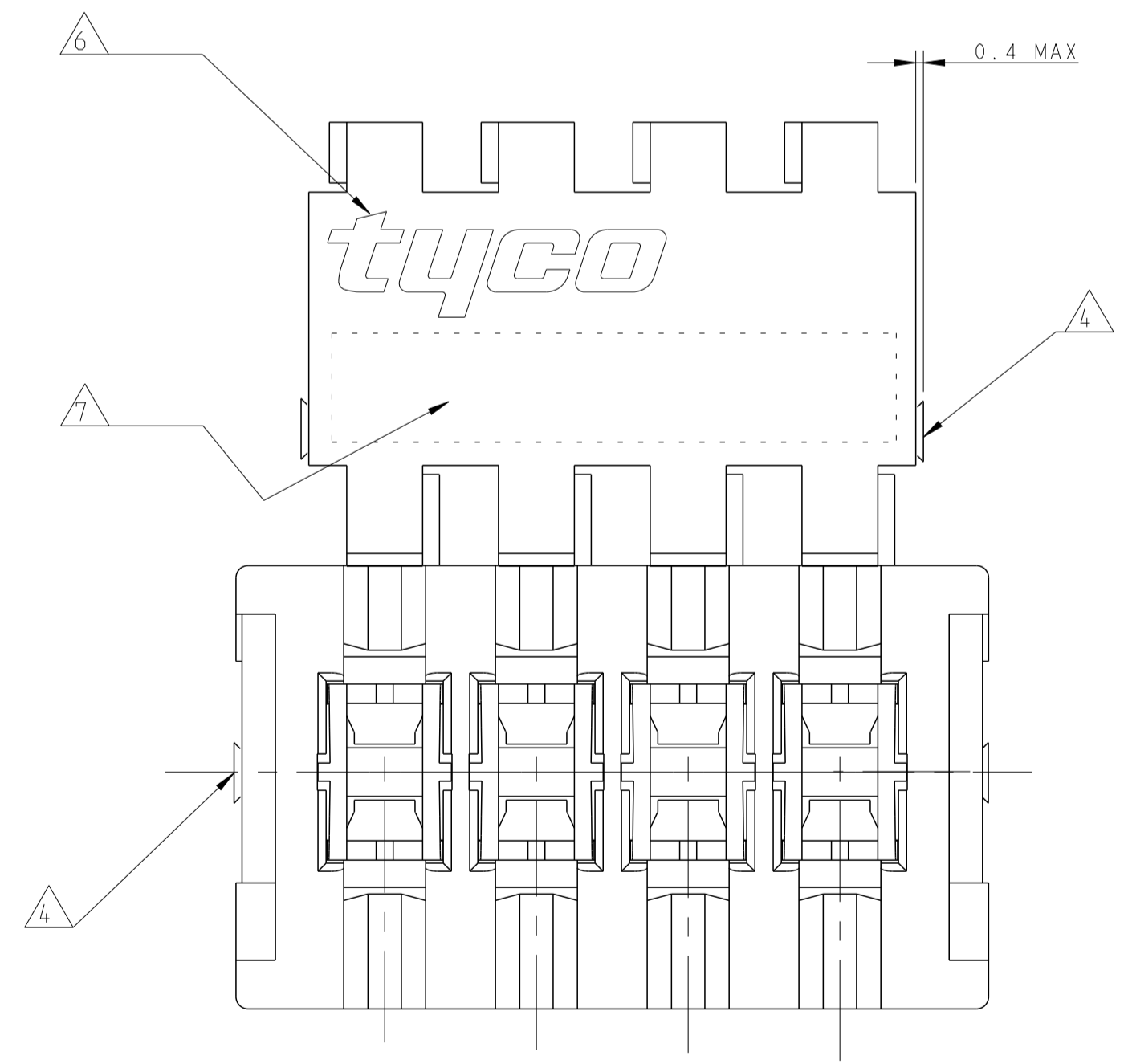


LOC	DIST	REVISIONS			
P	LTN	DESCRIPTION	DATE	DWN	APVD
A13		ECR-17-009651	19JUL2017	RS	DC
A14		REVISED PER ECR-18-017204	23NOV2018	BW	DC
B		REVISED PER ECR-19-015552	03NOV2019	KD	FL



P/N 0-284930-3 AS SHOWN



- ① WIRE RANGE : STRANDED 0.22-0.35 mm² (INS. DIA. 1.30±0.1)
- ② MATING PART: TAB HEADER P/Ns 1971817, 1971818 AND EQUIVALENT; PCB FRAME P/N 964575 (PCB THK 1.5±0.14 COPPER CLADDING INCLUDED) SEE PRODUCT SPEC. 108-18056 FOR FRAME APPLICATION
- ③ KEYING RIBS TO BE REMOVED BY TERMINATION MACHINE
- ④ CUT OFF DIMENSION DUE TO PRODUCTION PROCESS
- ⑤ CIRCUIT No. IDENTIFICATION
- ⑥ TYCO ELECTRONICS TRADEMARK (OPTIONAL POSITION)
- ⑦ TAMOGRAPHIC COLOUR CODE AREA (P/Ns IDENTIFICATION BEFORE CRIMPING)
- ⑧ OBSOLETE PARTS: OBSOLETE CIS STREAMLINING PER D.RENAUD/D.SINISI
- ⑨ PBT GF
- ⑩ PBT GF, UL94-V0 & GWEPT 750 NO-FLAME, NATURAL
- ⑪ PRELIMINARY PN NOT FOR PRODUCTION

OBsolete	NATURAL	13	30.0	34.9	5x	1-284930-3	-
-	-	11	25.0	29.9	6x	1-284930-1	2311501-1
OBsolete	NATURAL	10	22.5	27.4	6x	1-284930-0	-
OBsolete	NATURAL	9	20.0	24.9	7x	284930-9	⑪
-	-	8	17.5	22.4	8x	2-284930-8	-
-	-	7	15.0	19.9	8x	0-284930-8	2311500-8
-	BLUE	6	12.5	17.4	10x	2-284930-6	1-2311500-6
-	-	6	12.5	17.4	10x	0-284930-6	2311500-6
OBsolete	NATURAL	5	10.0	14.9	11x	2-284930-5	-
-	-	5	10.0	14.9	11x	0-284930-5	2311500-5
OBsolete	NATURAL	-	-	-	-	3-284930-4	-
-	RED	4	7.5	12.4	13x	2-284930-4	1-2311500-4
-	-	4	7.5	12.4	13x	0-284930-4	2311500-4
OBsolete	NATURAL	-	-	-	-	5-284930-3	-
OBsolete	BLUE	-	-	-	-	4-284930-3	-
OBsolete	BROWN	3	5.0	9.9	16x	3-284930-3	-
-	GREEN	-	-	-	-	2-284930-3	2-2311500-3
-	-	-	-	-	-	0-284930-3	1-2311500-3
COLOUR CODE		HSG POS	DIM.A	DIM.B	⑨ TE P/N	⑩ TE P/N	

SEE TABLE	PH. BRONZE, TIN PLATED	IDC RECEPTACLE CONTACT	2	THIS DRAWING IS A CONTROLLED DOCUMENT. DIMENSIONS: mm TOLERANCES UNLESS OTHERWISE SPECIFIED: 0 PLC ±0.2 1 PLC ±0.2 2 PLC ±0.2 3 PLC ±0.2 4 PLC ±0.2 ANGLES ±1° FINISH -	DWN R. FABRIS 27FEB2004 CHK - APVD G. TURCO 27FEB2004 PRODUCT SPEC 108-18056 APPLICATION SPEC 114-18049-1 WEIGHT - CUSTOMER DRAWING	STE TE Connectivity NAME DUOPLUG 2.5 FEMALE CONNECTOR STANDARD VERSION (FULLY LOADED) SIZE CAGE CODE DRAWING NO RESTRICTED TO A100779C=284930 SCALE 5:1 SHEET 1 OF 1 REV B
Q.TY	MATERIAL	DESCRIPTION	ITEM		REVISIONE DELL'ASSEMBLATO (REVISION OF EACH ASSY NO) ELENCO DEI COMPONENTI (PARTS LIST)	