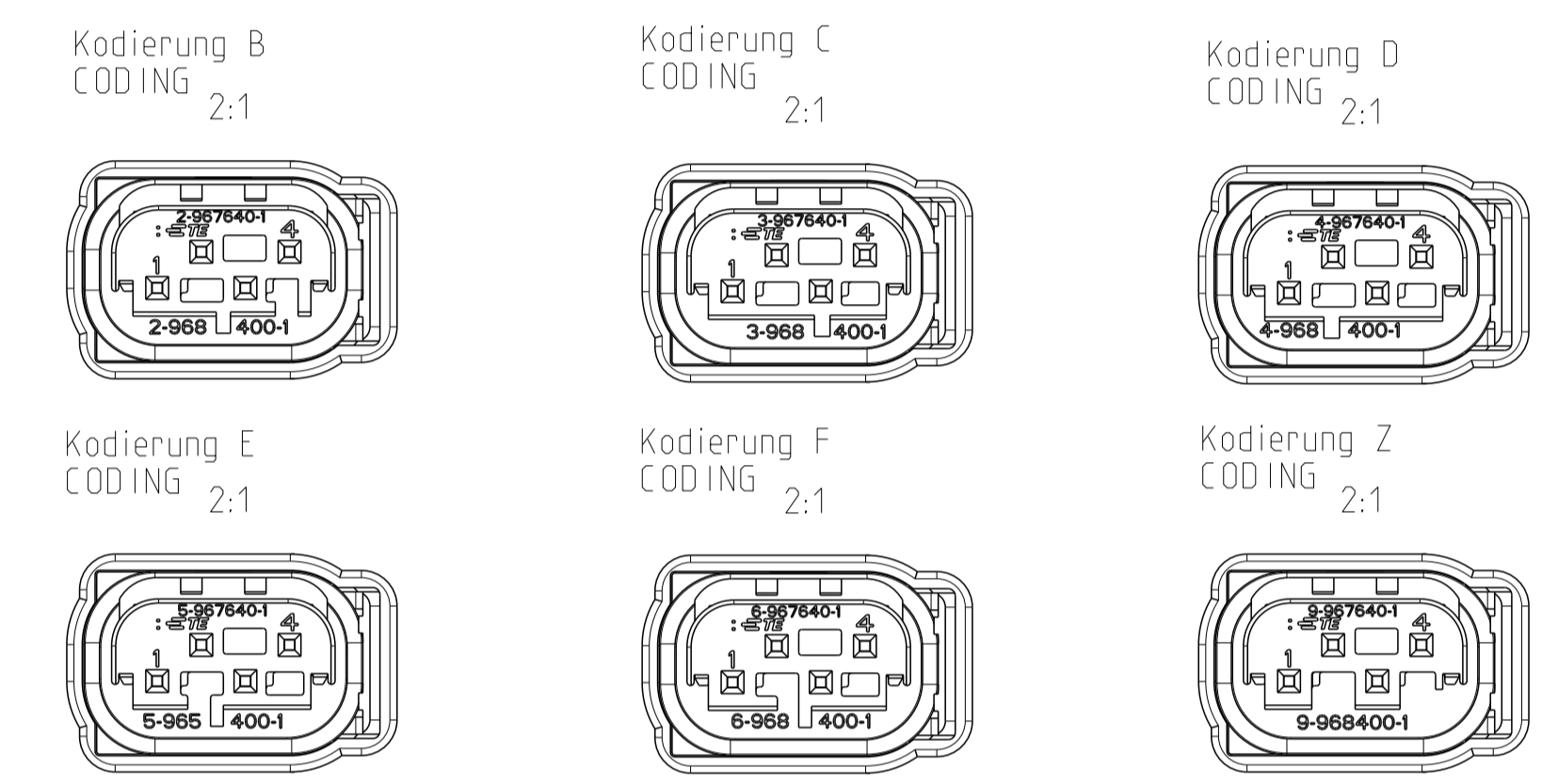
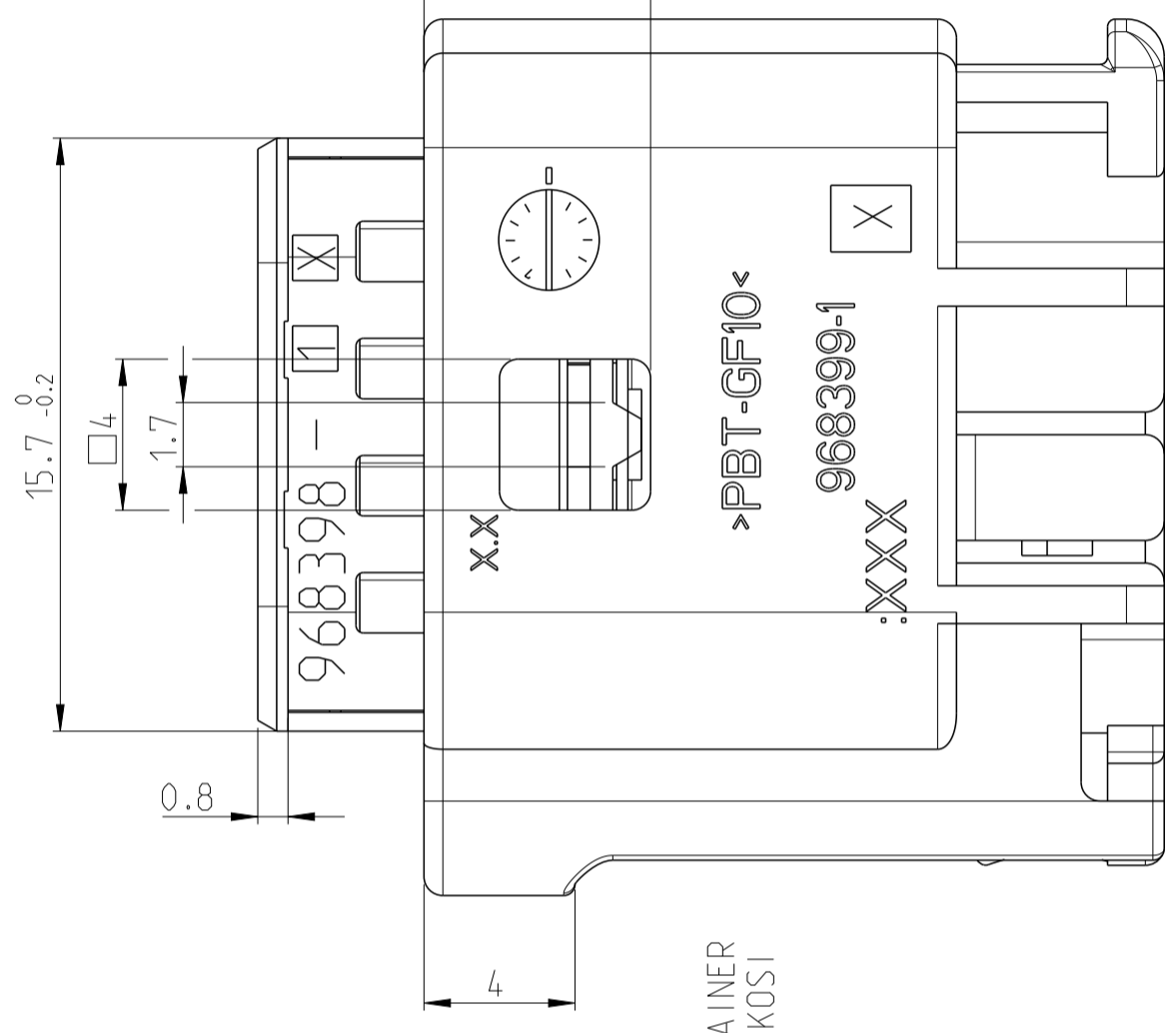
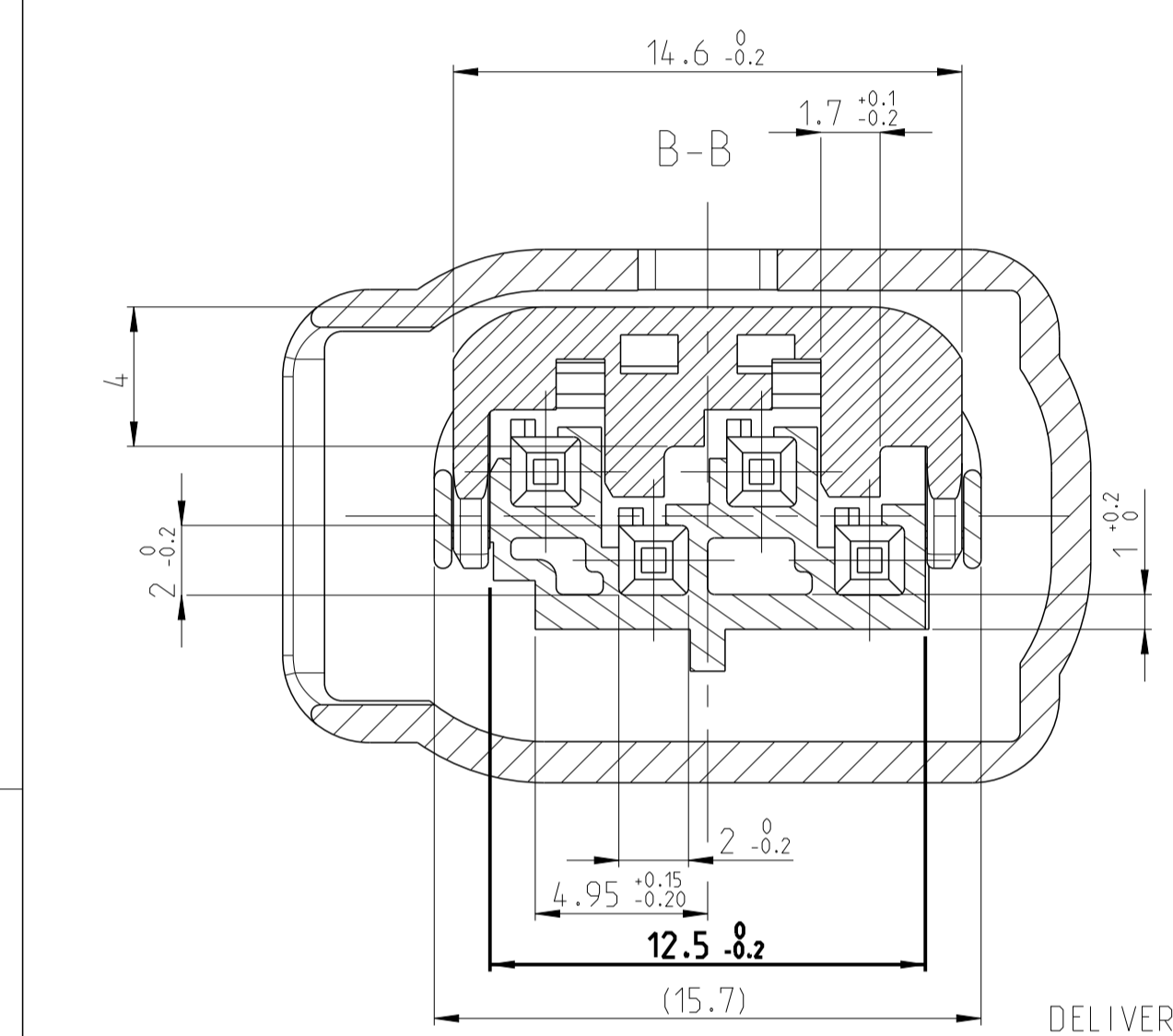
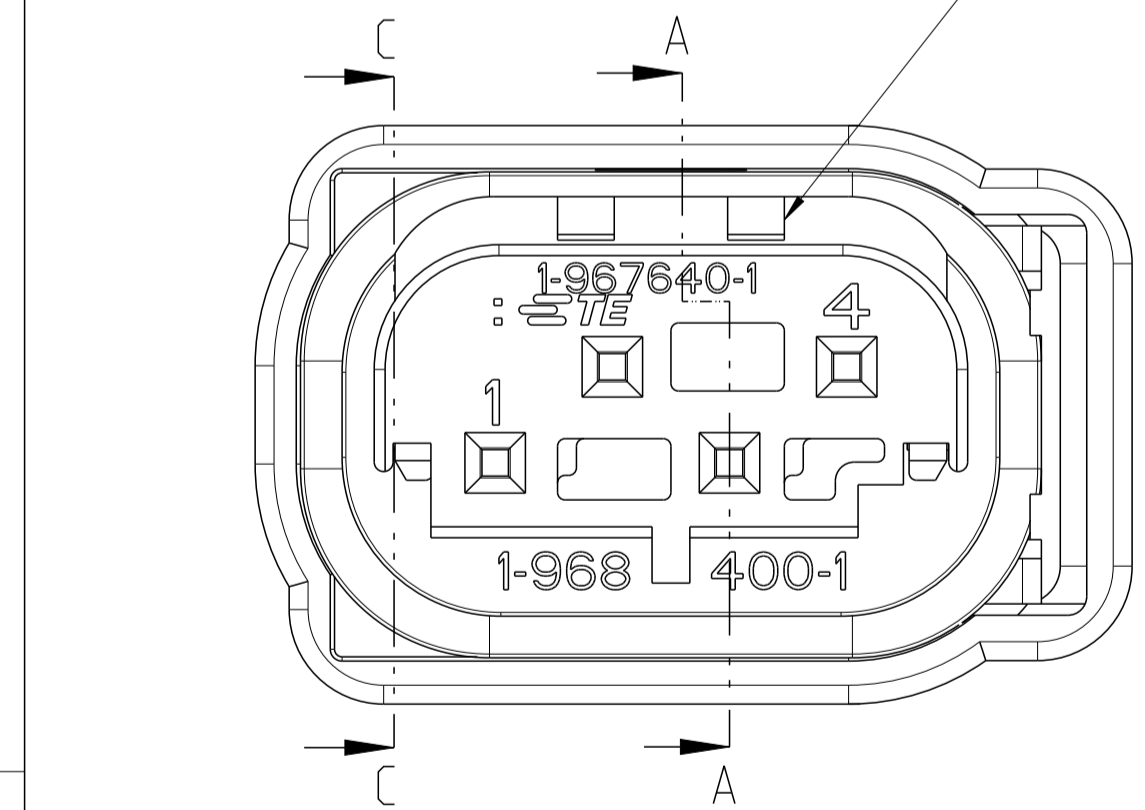
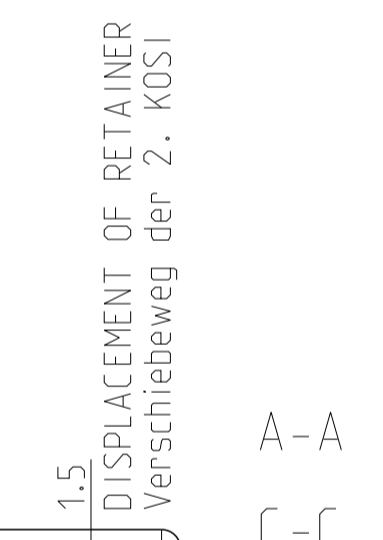


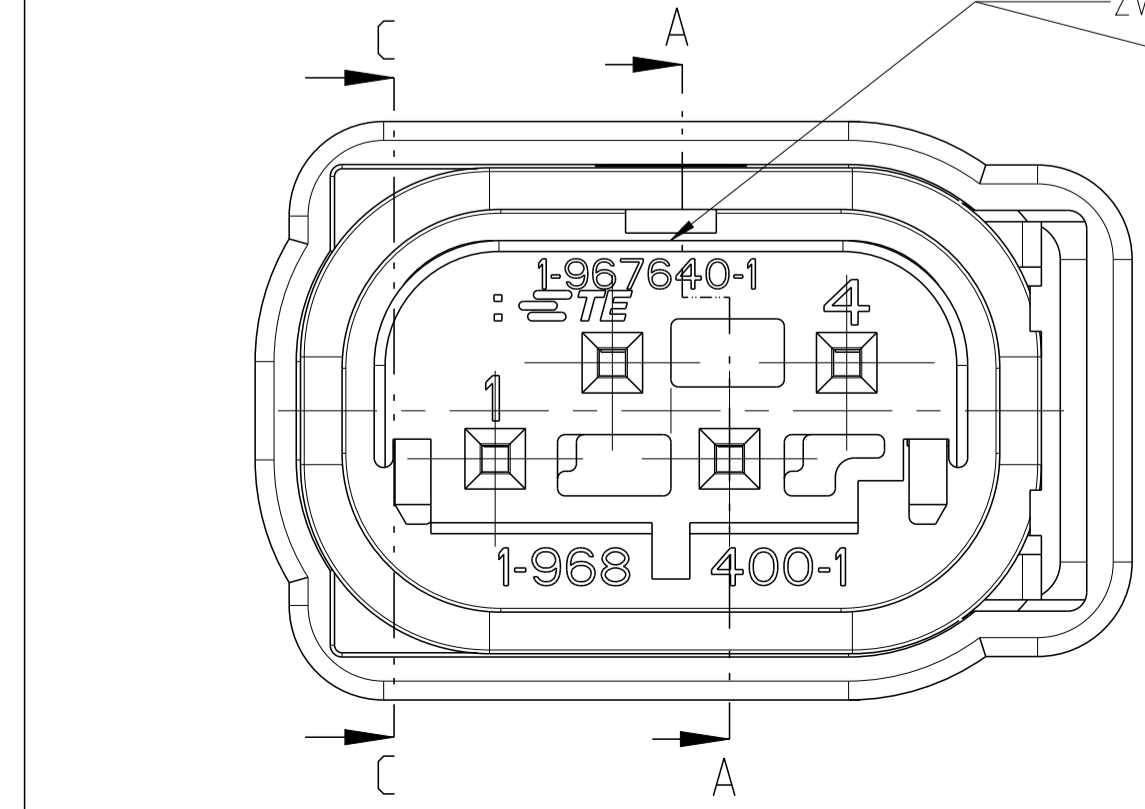
REVISIONS				
REV.	LTN.	DESCRIPTION	DATE	APPV.
BB	PCN E-14-010853		18 JUL 2014	JOAS GILC
B9	NEW 3 D DRAWING		26 SEP 2018	MAH. GILC



DELIVERY CONDITION  
RETAINER IN PRELOCKED POSITION  
Lieferzustand  
Zweite Kontaktsicherung in Vorraststellung

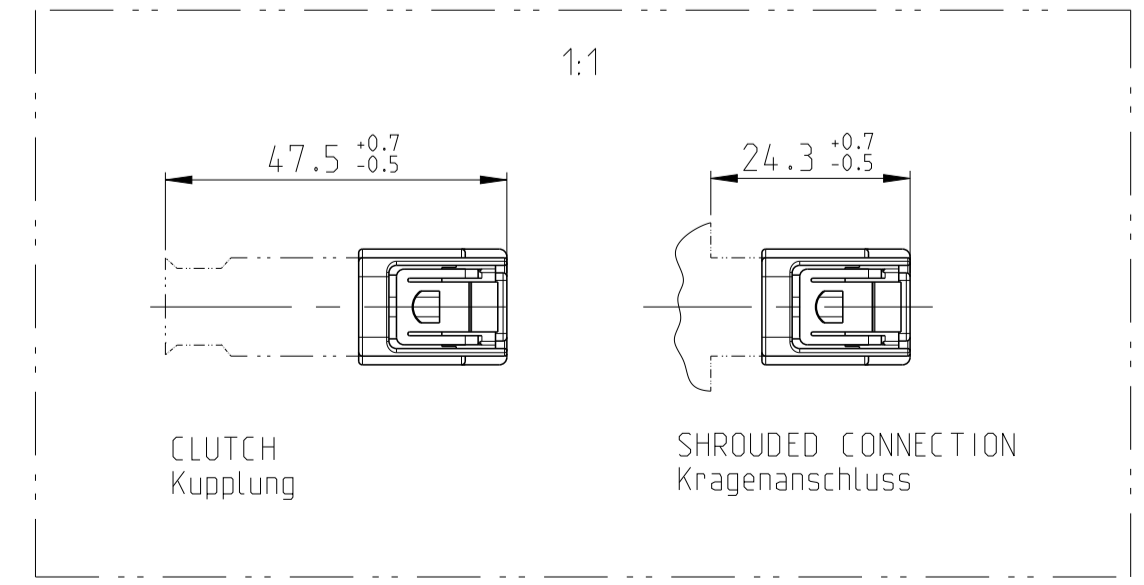


RETAINER IN ENDOCKED POSITION  
Zweite Kontaktsicherung in Endraststellung



NOTES  
Bemerkungen

- ONLY THE GERMAN LANGUAGE VERSION SHALL BE BINDING  
Massgebend ist der deutsche Text
  - SUITABLE FOR SOCKET CONTACT FOR SINGLE WIRE SEALING  
TE 962885 (WSR 0.2-0.5mm<sup>2</sup>), 965906 (WSR 0.75mm<sup>2</sup>)  
Passend zu Buchsenkontakt fuer Einzelleiterdichtungen  
TE 962885 (DGB 0.2-0.5mm<sup>2</sup>), 965906 (DGB 0.75mm<sup>2</sup>)
  - SUITABLE FOR SHROUDED CONNECTION SEE DRAWING:  
TE 114-18063-124.  
ALSO COMPATIBLE TE 114-18063-14  
Passend zu Kragenanschluss siehe Zeichnung:  
TE 114-18063-124.  
Auch passend zu TE 114-18063-14
  - SUITABLE FOR WIRE SIZE RANGE TO 0.75mm<sup>2</sup>  
Passend fuer Leitungsquerschnitt bis 0.75mm<sup>2</sup>
- 5 EXECUTION DEPENDENT ON INJECTION MOLD  
Ausfuehrung abhaengig von Spritzgiesswerkzeug



TE ASSY NO.	REV.	CODE	POS.	QTY.	DESCRIPTION	MATERIAL	COLOR
7-967640-3	B	A	4	1	PROTECTIVE COVER / Schutzkappe	PBT-GF10	YELLOW
			3	1	SEALING / Dichtung	LIQUID SILICONE RUBBER MVD 30	NATURAL
			2	1	RETAINER / 2. Kontaktsicherung	PBT-GF15	GREEN
9-967640-1	A	Z	4	1	PROTECTIVE COVER / Schutzkappe	PBT-GF10	BLACK
			3	1	SEALING / Dichtung	LIQUID SILICONE RUBBER MVD 30	NATURAL
			2	1	RETAINER / 2. Kontaktsicherung	PBT-GF15	GREEN
6-967640-1	-	F	4	1	PROTECTIVE COVER / Schutzkappe	PBT-GF10	BLACK
			3	1	SEALING / Dichtung	LIQUID SILICONE RUBBER MVD 30	NATURAL
			2	1	RETAINER / 2. Kontaktsicherung	PBT-GF15	GREEN
5-967640-1	-	E	4	1	PROTECTIVE COVER / Schutzkappe	PBT-GF10	BLACK
			3	1	SEALING / Dichtung	LIQUID SILICONE RUBBER MVD 30	NATURAL
			2	1	RETAINER / 2. Kontaktsicherung	PBT-GF15	GREEN
4-967640-1	-	D	4	1	PROTECTIVE COVER / Schutzkappe	PBT-GF10	BLACK
			3	1	SEALING / Dichtung	LIQUID SILICONE RUBBER MVD 30	NATURAL
			2	1	RETAINER / 2. Kontaktsicherung	PBT-GF15	GREEN
3-967640-1	B	C	4	1	PROTECTIVE COVER / Schutzkappe	PBT-GF10	BLACK
			3	1	SEALING / Dichtung	LIQUID SILICONE RUBBER MVD 30	NATURAL
			2	1	RETAINER / 2. Kontaktsicherung	PBT-GF15	GREEN
2-967640-1	B	B	4	1	PROTECTIVE COVER / Schutzkappe	PBT-GF10	BLACK
			3	1	SEALING / Dichtung	LIQUID SILICONE RUBBER MVD 30	NATURAL
			2	1	RETAINER / 2. Kontaktsicherung	PBT-GF15	GREEN
1-967640-1	B	A	4	1	PROTECTIVE COVER / Schutzkappe	PBT-GF10	BLACK
			3	1	SEALING / Dichtung	LIQUID SILICONE RUBBER MVD 30	NATURAL
			2	1	RETAINER / 2. Kontaktsicherung	PBT-GF15	GREEN
1	1	SOCKET HSG. / Buchsengehäuse	PBT-GF15	BLACK			

THIS DRAWING IS A CONTROLLED DOCUMENT. DIMENSIONS: mm. TOLERANCES UNLESS OTHERWISE SPECIFIED: 0 PLC ±, 1 PLC ±, 2 PLC ±, 3 PLC ±, 4 PLC ±, ANGLES ±40°. MATERIAL: SEE TABLE. FINISH: SEE TABLE.

OWN: M. Trajkov, 08AUG1996. CHK: M. Schwaeger, 31AUG1998. APVD: M. Schwaeger.

PRODUCT SPEC: 108-18272-0. APPLICATION SPEC: 114-18061. WEIGHT: -. CUSTOMER DRAWING.

NAME: MQS SOCKET HOUSING, SWS, 4 POS. ASSY. MQS Buchsengehäuse, EDS 4 pol. kompl.

SIZE: A1. CAGE CODE: 00779. DRAWING NO: 967640. RESTRICTED TO: -. SCALE: 5:1. SHEET: 1 OF 1. REV: B9.