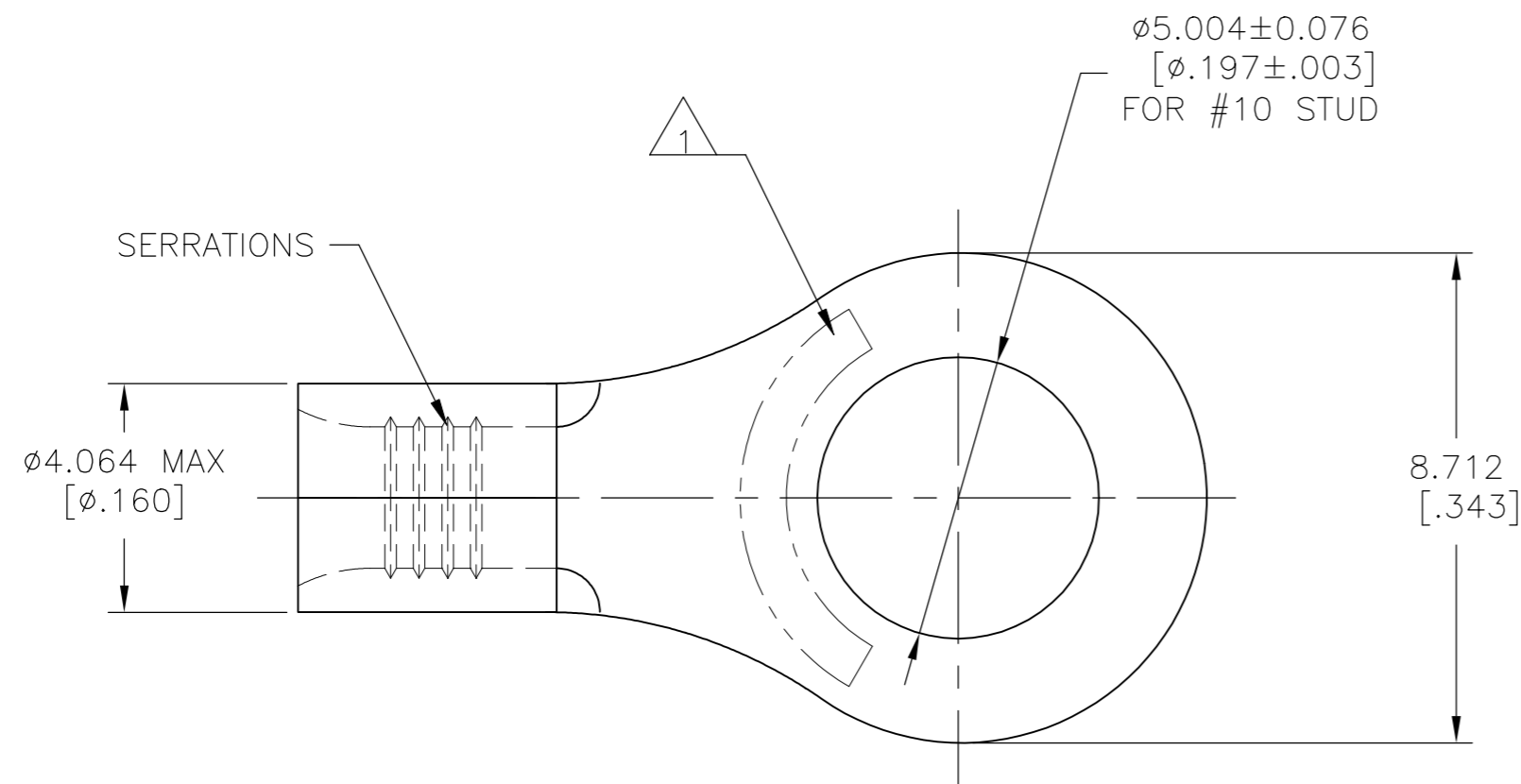


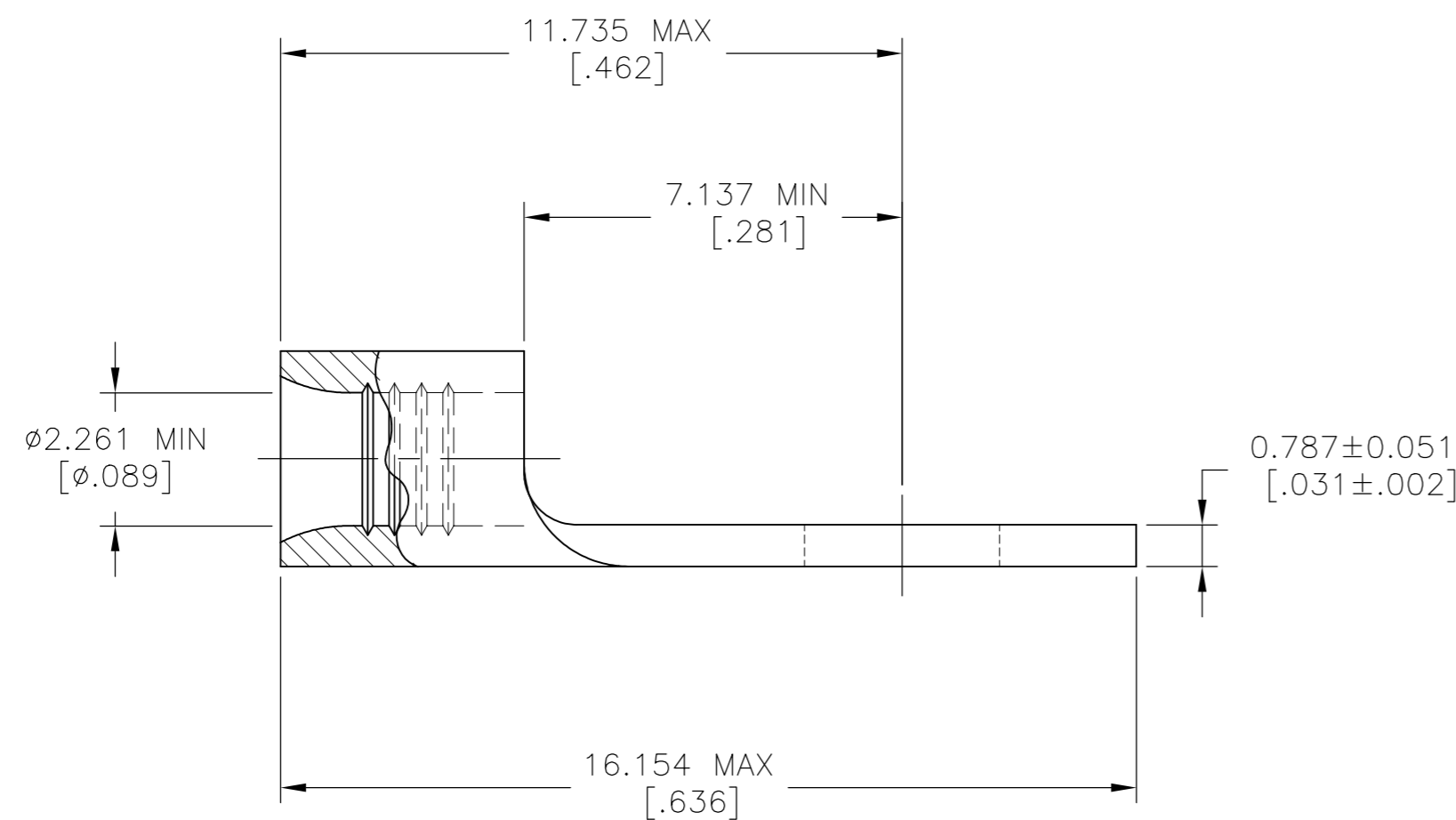
THIS DRAWING IS UNPUBLISHED. RELEASED FOR PUBLICATION
 © COPYRIGHT - TE Connectivity Ltd. ALL RIGHTS RESERVED.

REVISIONS					
P	LTR	DESCRIPTION	DATE	DWN	APVD
	J	REV PER 0G3A-0969-04	08DEC04	JR	MS
	J1	REVISED PER ECO-17-008806	21FEB2018	RS	DR



AMP WIRE RANGE	UL Listed FILE E13288	LR7189 Certified
16-14 AWG STRANDED	16-14 AWG STRANDED	NOT CERTIFIED

- 1 STAMP AMP 16-14* APPROX AS SHOWN
- 2 MATERIAL: BODY - CU PER ASTM B152
- 3 FINISH: 0.00254 [.000100] MIN TIN PER ASTM B-545



50	LOOSE PIECE, BOX	8-30697-2
1000	LOOSE PIECE	30697
QTY	PACKAGE TYPE	PART NO.

AMP INCORPORATED CUSTOMER SERVICE SYSTEMS		MAX RECOMMENDED OPERATING TEMPERATURE: 170°C [338°F] MAX
FOR ADDITIONAL PRODUCT INFORMATION OR COPIES OF DRAWINGS AND TECHNICAL DOCUMENTS	PRODUCT INFORMATION CENTER 1-800-522-6752	VOLTAGE RATING: N/A
FOR APPLICATION	TOOLING ASSISTANCE CENTER 1-800-722-1111	CIRCULAR MIL AREA: 1.04-2.62mm ² [2,050-5,180] STRANDED
TOOLING INFORMATION	1-800-526-5142	
FOR ORDER ENTRY	1-800-526-5142	THIS DRAWING IS A CONTROLLED DOCUMENT FOR AMP INCORPORATED. IT IS SUBJECT TO CHANGE AND THE CONTROLLING ENGINEERING ORGANIZATION SHOULD BE CONTACTED FOR THE LATEST REVISION.

THIS DRAWING IS A CONTROLLED DOCUMENT.		DWN: TA BRINKMAN 2-4-93
DIMENSIONS: mm [INCHES]		CHK: DA PATTERSON 2-4-93
TOLERANCES UNLESS OTHERWISE SPECIFIED:		APVD: JL MECKLEY 2-4-93
0 PLC ± -		PRODUCT SPEC
1 PLC ± -		UL 486 A-B
2 PLC ± -		APPLICATION SPEC
3 PLC ± 0.127 [.005]		
4 PLC ± -		
ANGLES ± -		
MATERIAL	FINISH	WEIGHT
- 2	- 3	

TE TE Connectivity Ltd.			
NAME: TERMINAL, RING TONGUE, BUDGET, 16-14 AWG			
SIZE	CAGE CODE	DRAWING NO	RESTRICTED TO
A2	00779	C=30697	-
CUSTOMER DRAWING		SCALE: 8:1	SHEET 1 of 1 REV J1