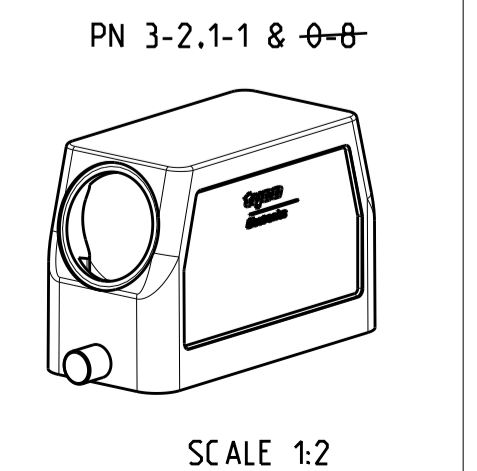
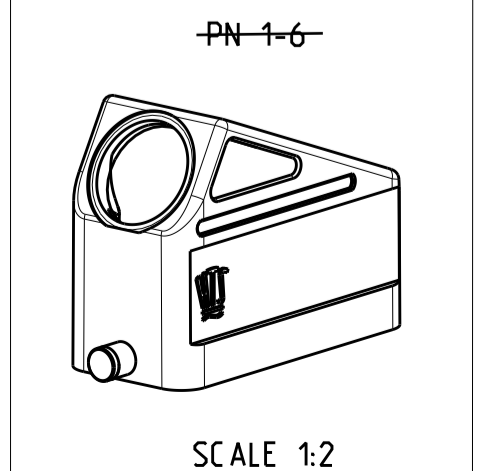
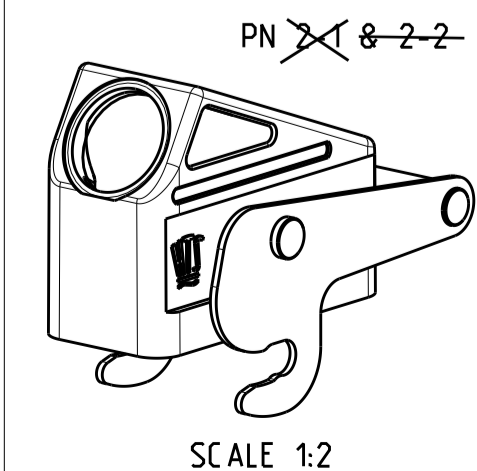
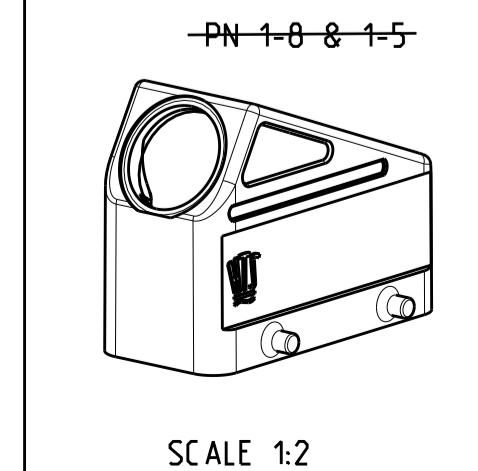
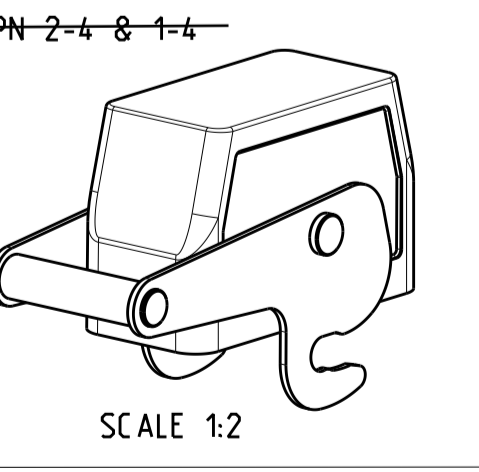
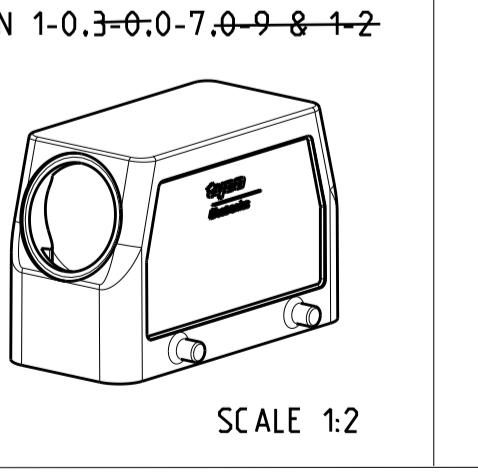
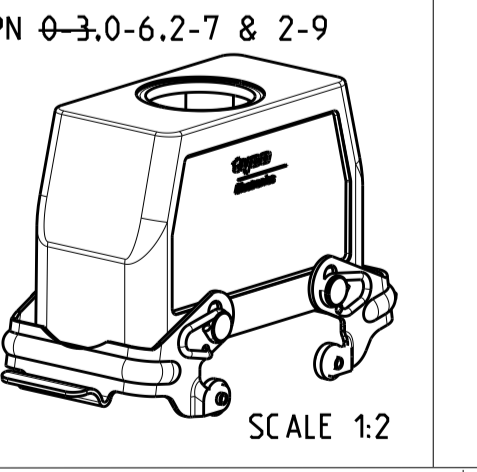
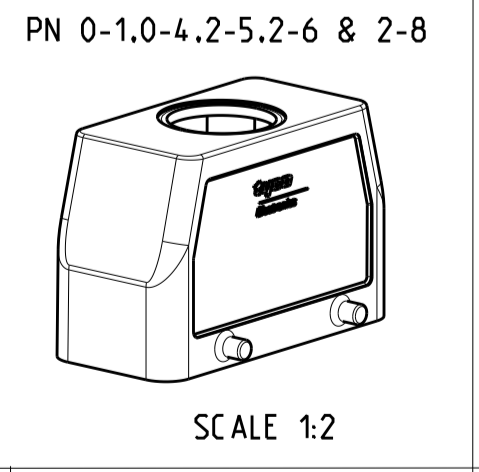
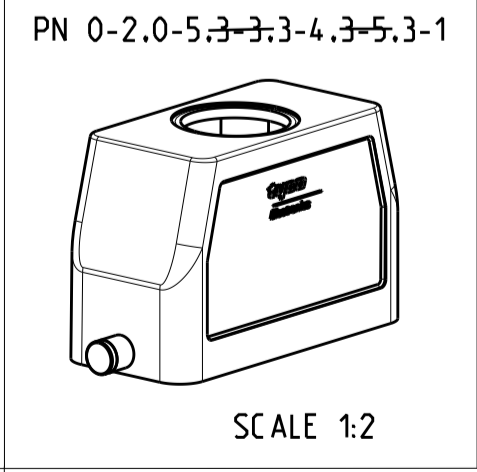
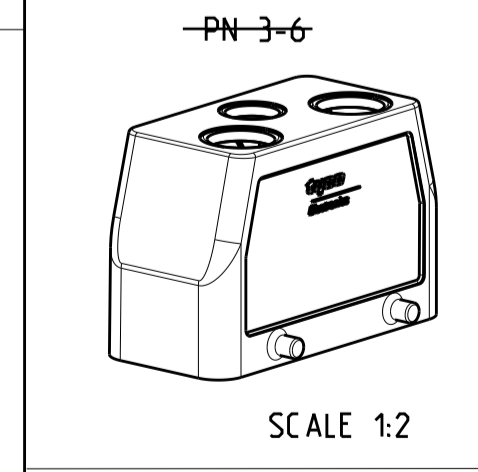
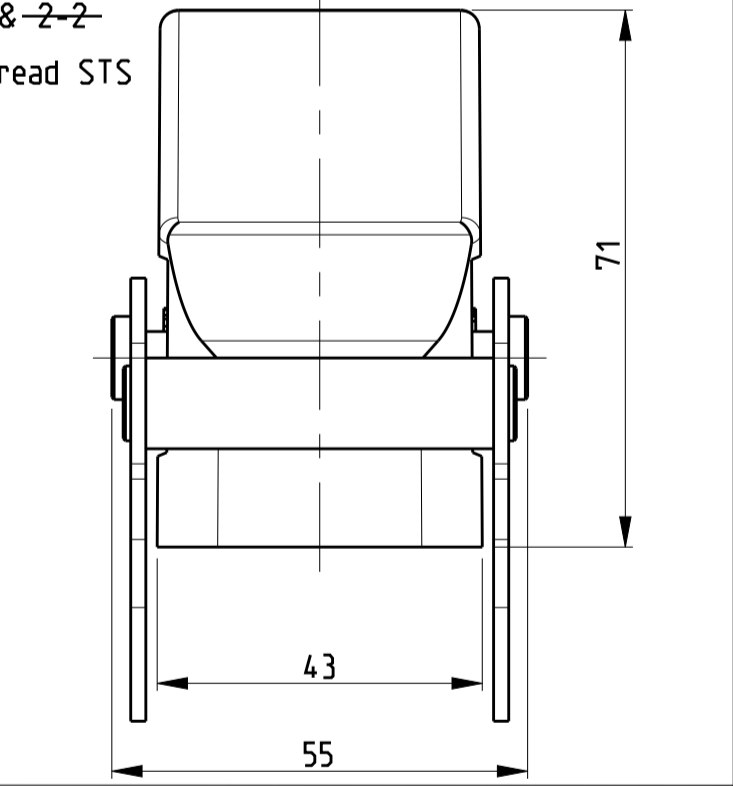
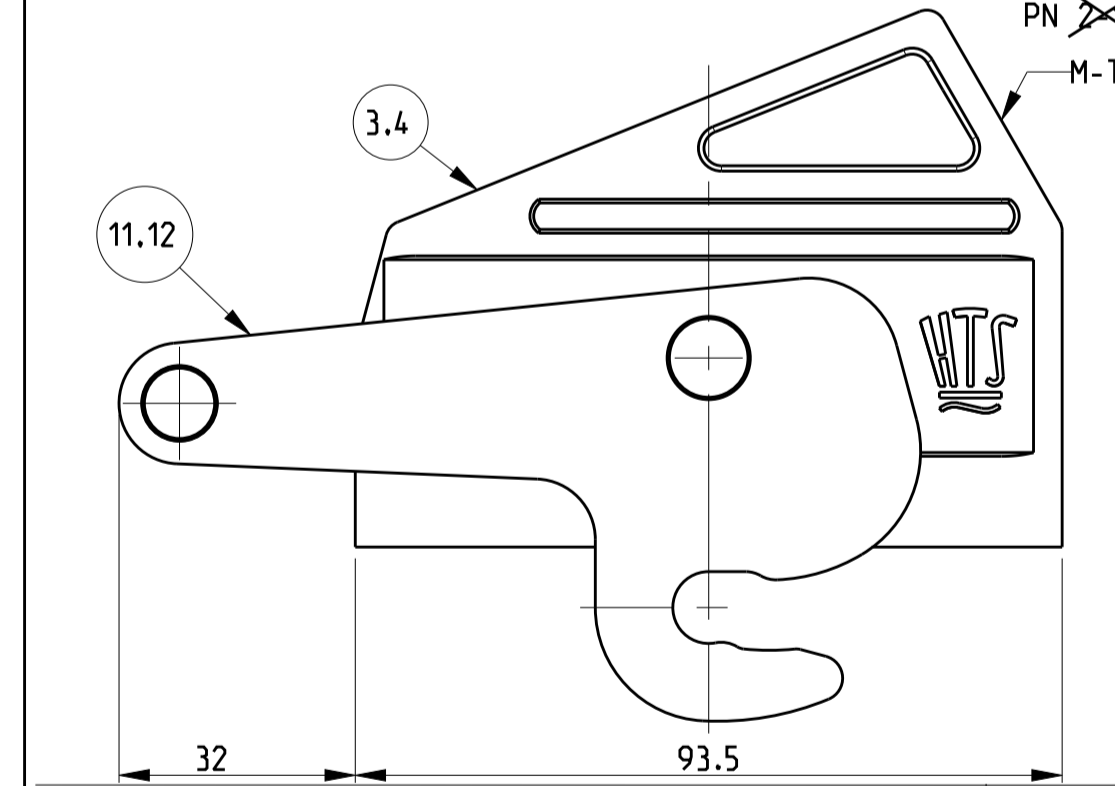
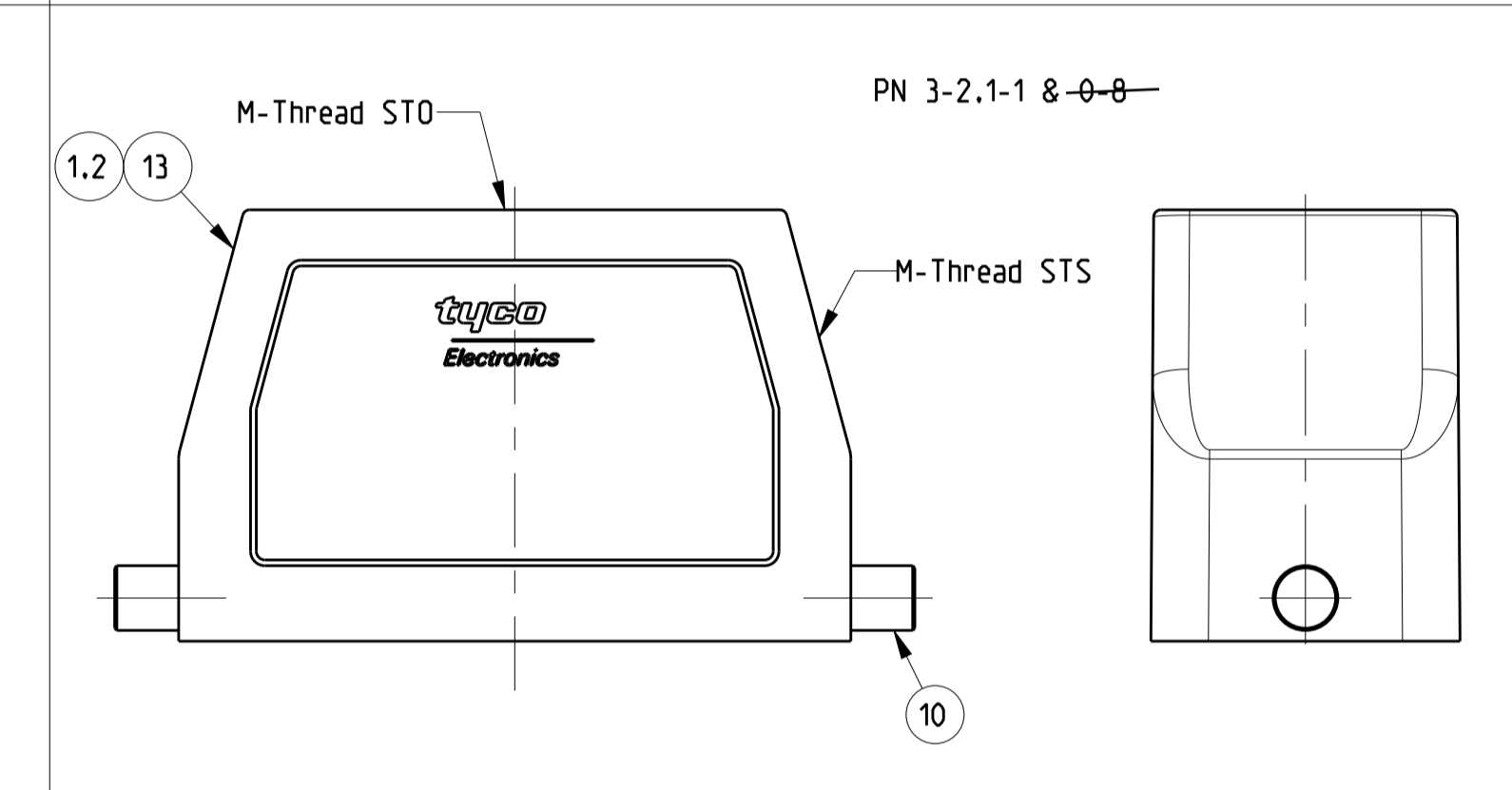
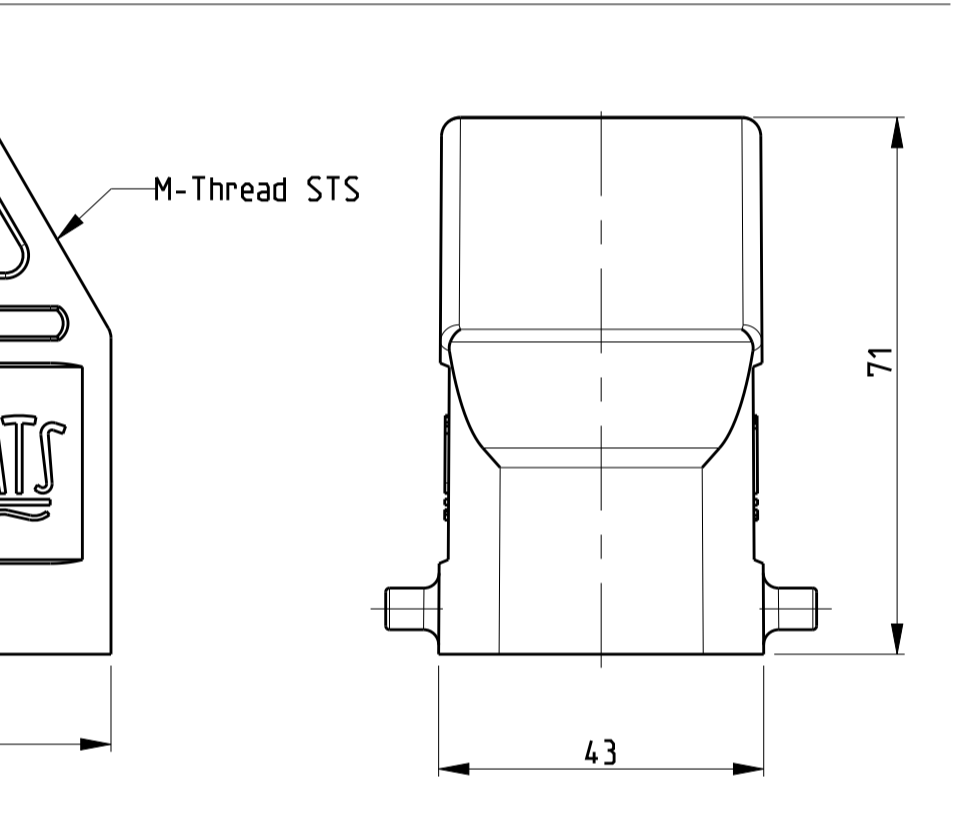
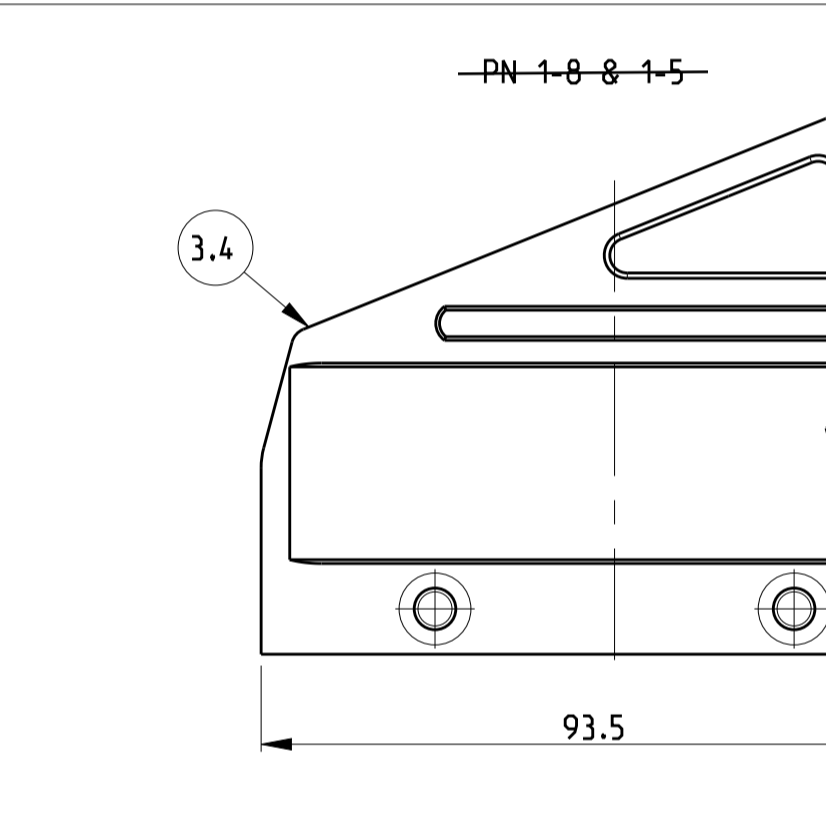
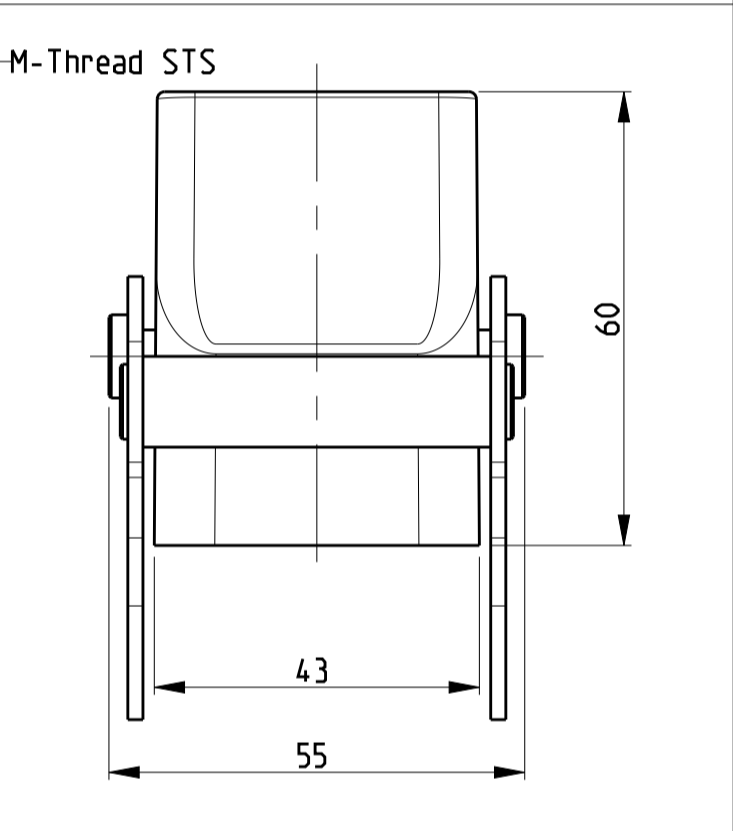
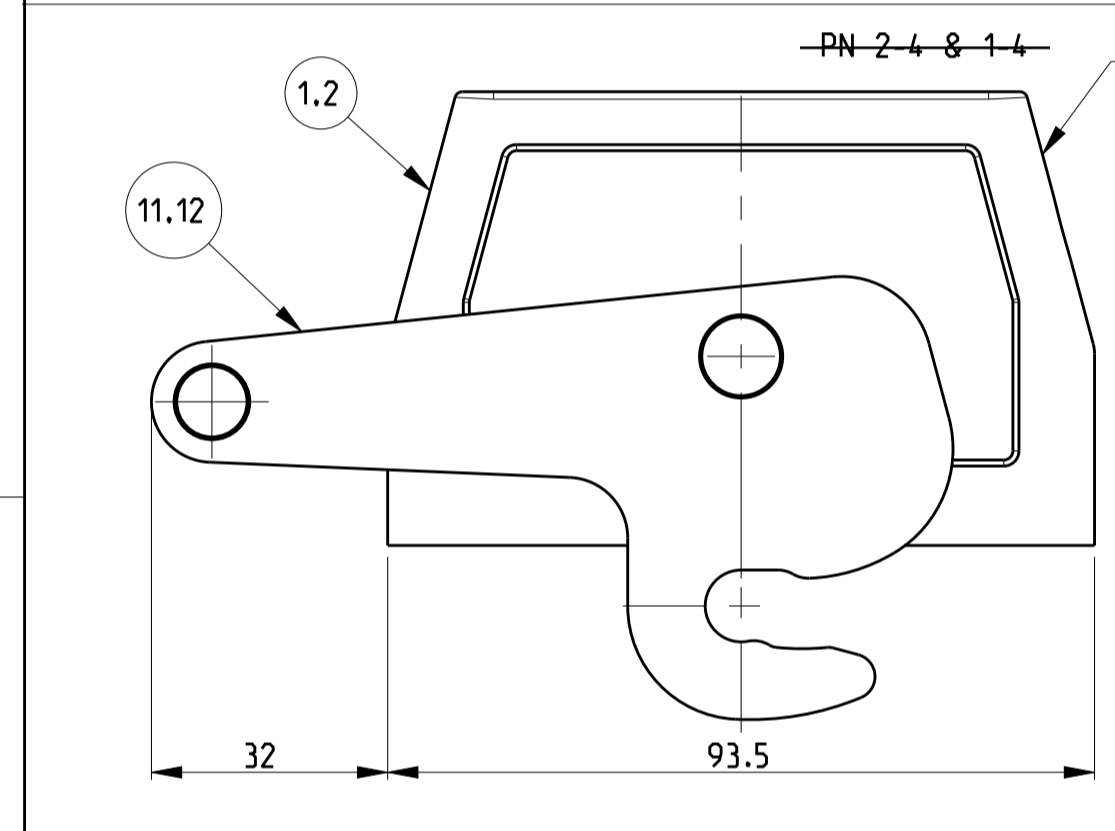
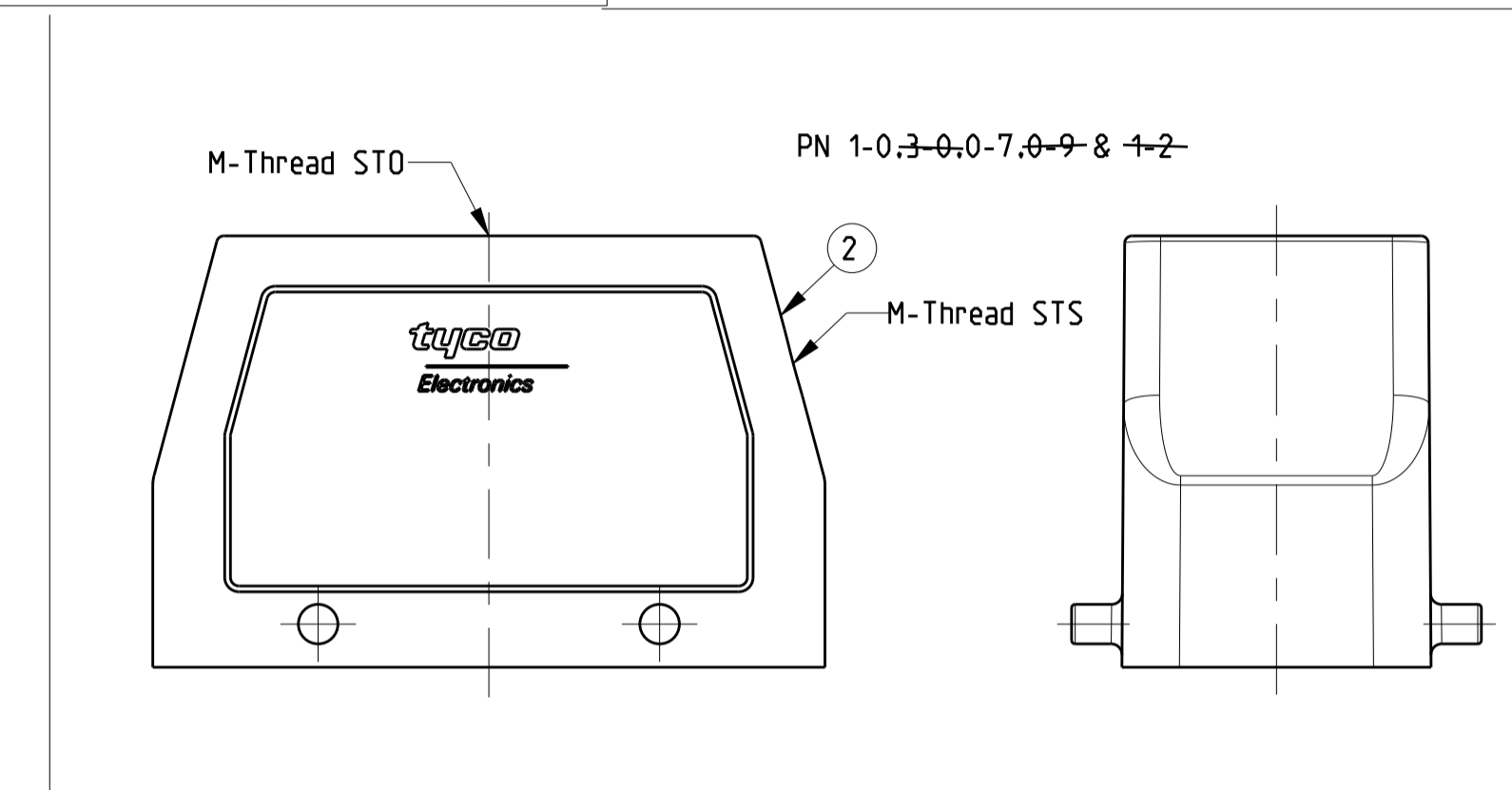
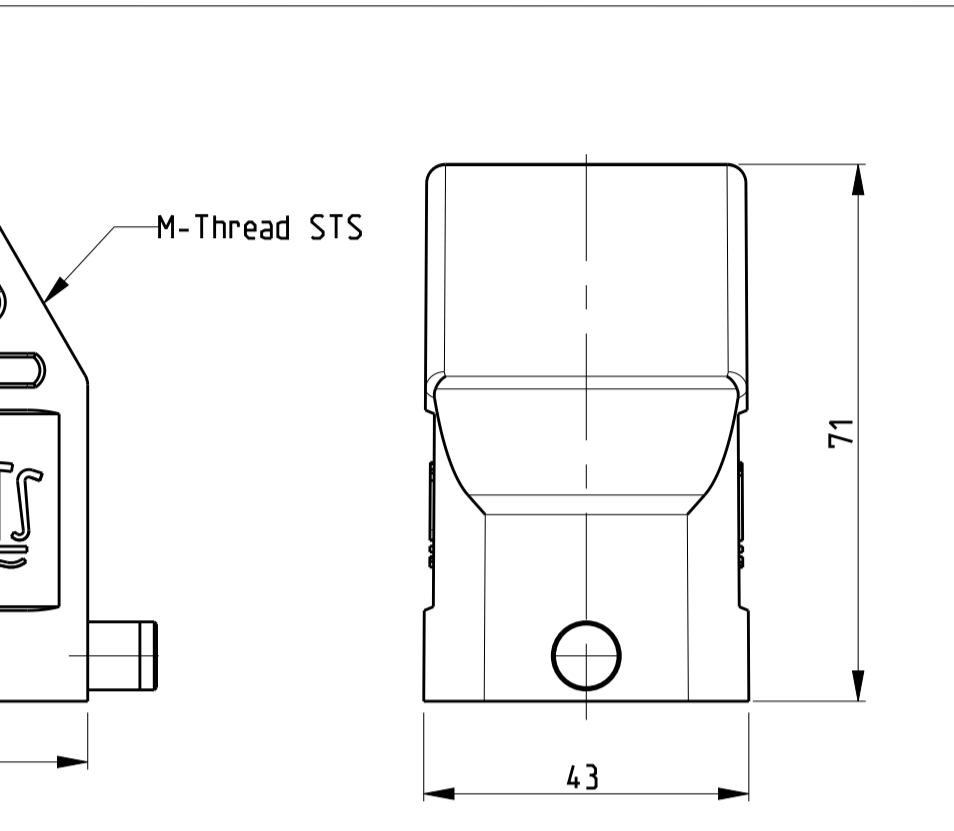
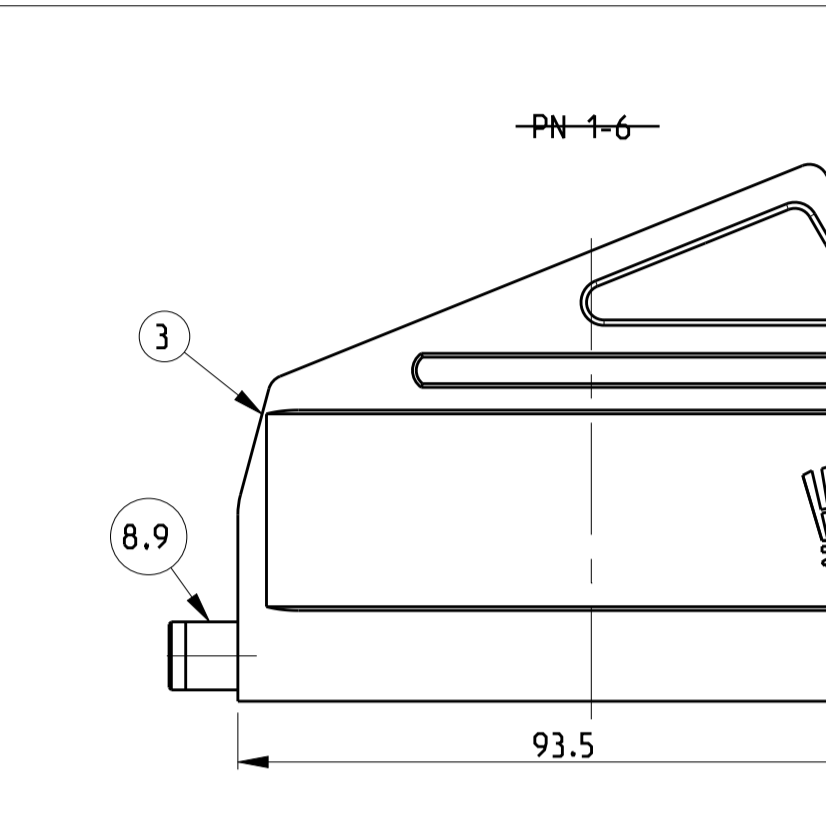
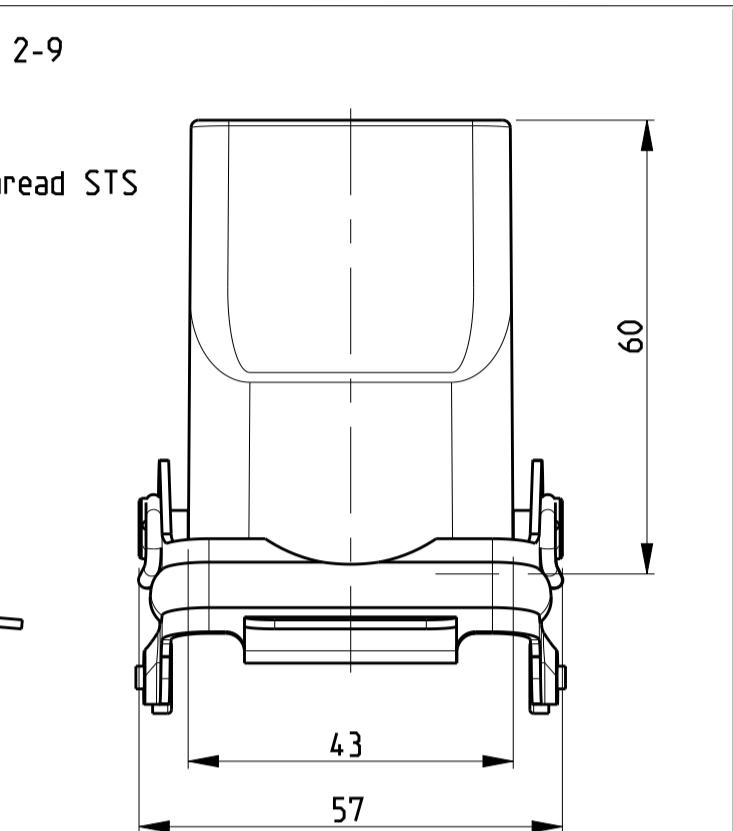
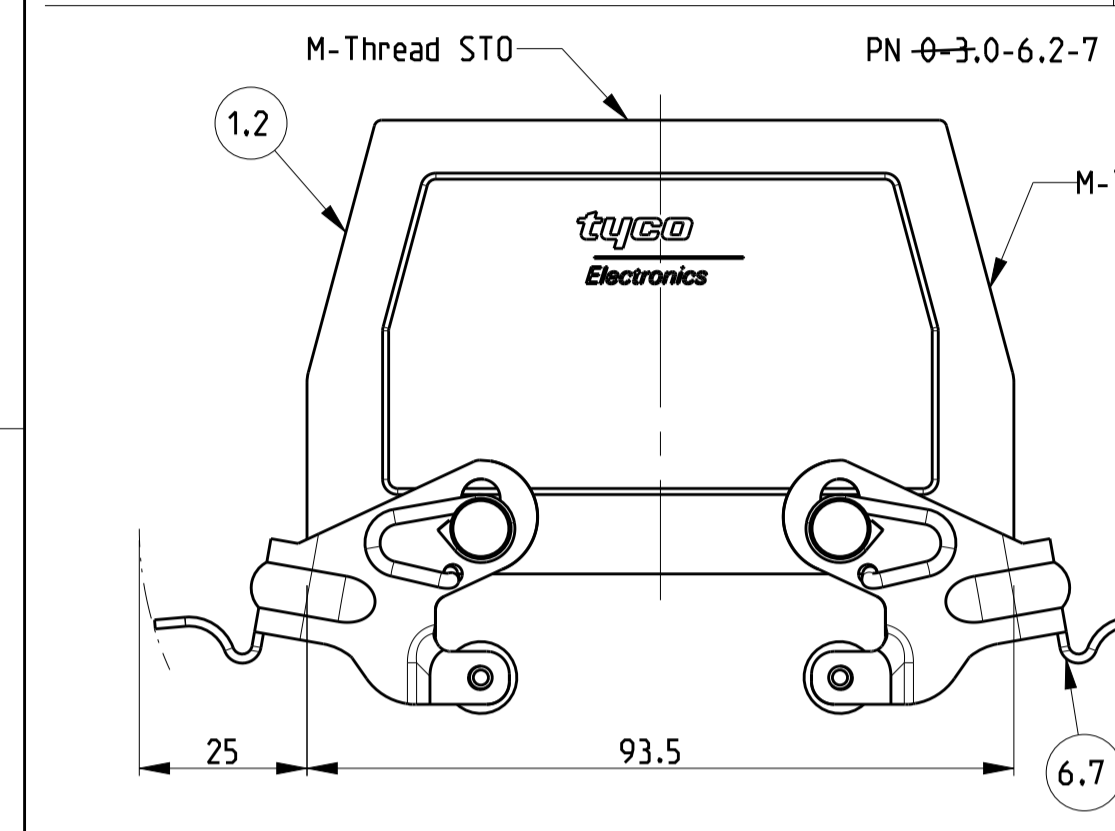
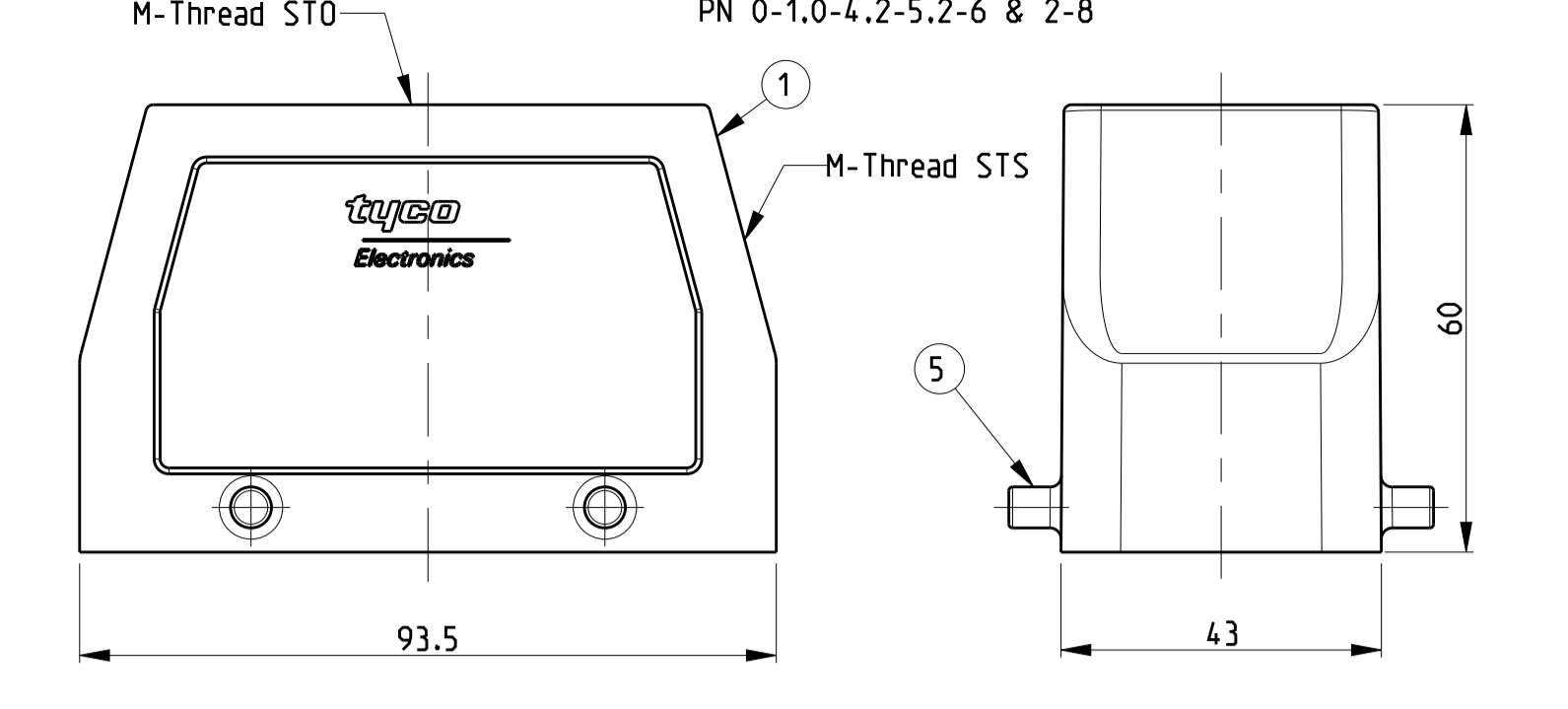
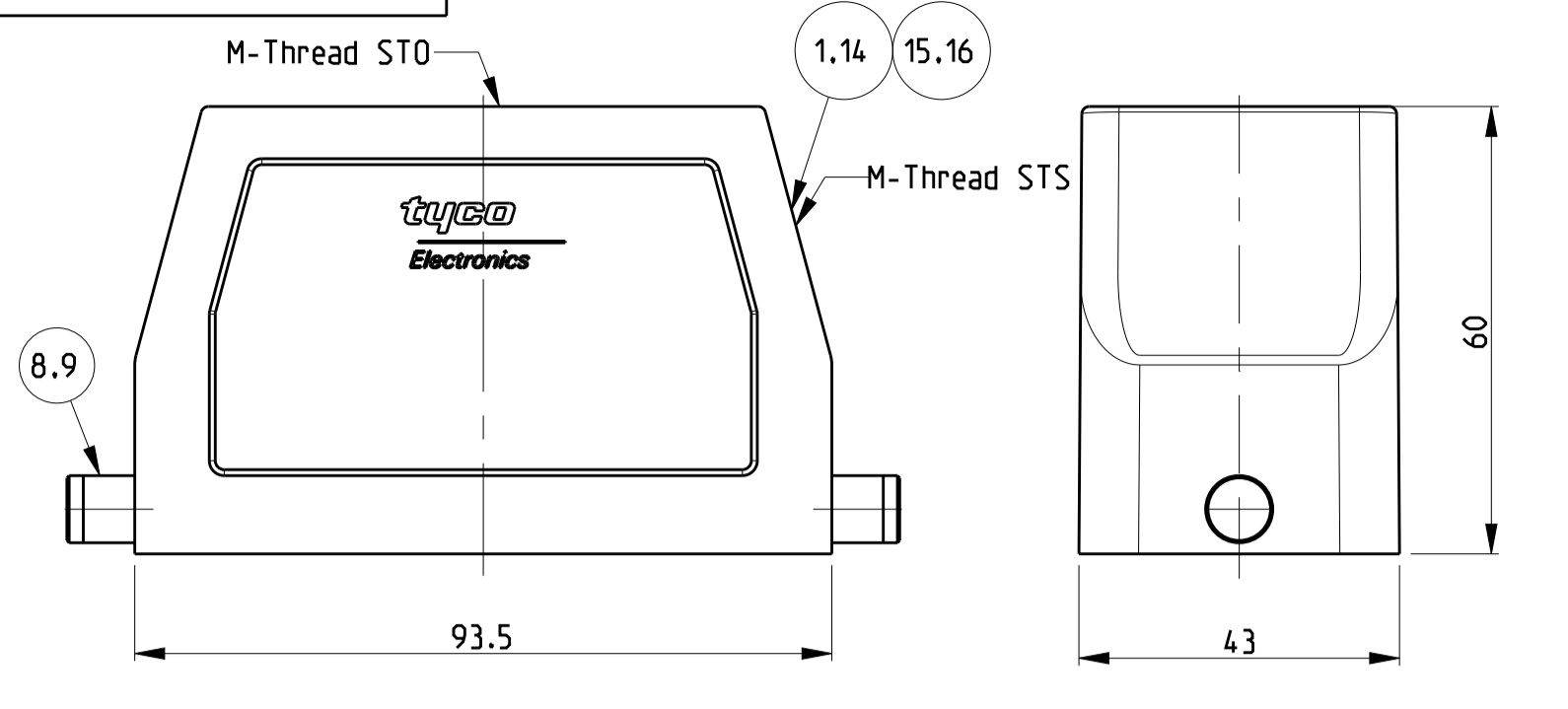
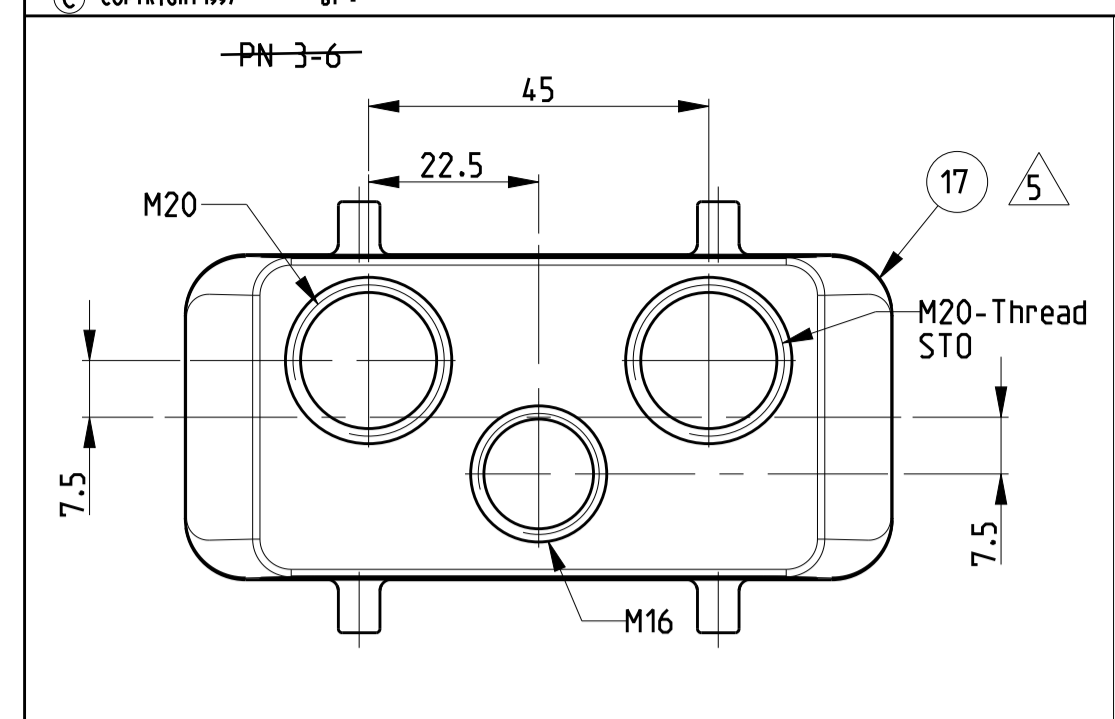


| REVISIONS | | | | |
|-----------|-----|---------------------------|-----------|----------|
| P | LTR | DESCRIPTION | DATE | DWN APVD |
| B4 | | ECR-15-016632 | 28NOV2016 | GCM MKO |
| B5 | | REVISED PER ECR-16-016780 | 28JAN2018 | SRG MKO |
| B6 | | ECR-17-014013 | 26MAR18 | SG MKO |

- NOTES
- Surface: - Powder varnish grey
 - Aluminium oxide - Varnish black
 - Chromital TCP passivation - varnish black
 - Varnish on the inside not necessary
 - Packaging
 Packaging quantity 5 piece in a box
 - Special Packaging



| QTY | DESCRIPTION | MATERIAL | SURFACE | COLOR | ITEM NO | NOTES |
|-----|-----------------|-----------------|-----------------|--------------------|---------|-------|
| 17 | HB Hood | Aluminium | | Grey | 17 | 5 |
| 16 | HB-EMV Hood | Aluminium | SEE NOTE 1 | Black | 16 | |
| 15 | HB Hood | Aluminium | | Grey | 15 | |
| 14 | HB Hood | Aluminium | | Fire red, RAL 3000 | 14 | |
| 13 | HB-EMV Hood | Aluminium | SEE NOTE 1 | Black | 13 | |
| 12 | ZB-Clip bolt | Stainless steel | Blank | With out varnish | 12 | |
| 11 | ZB-Clip bolt | Steel | Zinc plated | Blue | 11 | |
| 10 | LB-Clip bolt | Stainless steel | Blank | | 10 | |
| 9 | LB-Clip bolt | Steel | Zinc plated | Blue | 9 | |
| 8 | LB-Side clip | Steel | Zinc plated | Blue | 8 | |
| 7 | VS-Locking Clip | Stainless steel | Blank | | 7 | |
| 6 | VS-Locking Clip | Steel | Zinc plated | Blue | 6 | |
| 5 | VS-Clip bolt | Stainless steel | Blank | | 5 | |
| 4 | HB-K Hood | Aluminium | Aluminium oxide | Black | 4 | |
| 3 | HB Hood | Aluminium | | Grey | 3 | |
| 2 | HB-K Hood | Aluminium | Aluminium oxide | Black | 2 | |
| 1 | HB Hood | Aluminium | | Grey | 1 | |

| QTY | DESCRIPTION | MATERIAL | SURFACE | COLOR | ITEM NO | NOTES |
|-----|---------------------------|----------|---------|-------|---------|-------|
| 1 | HB-16-ST0-1.M32-G | | | | | |
| 1 | HB-EMV-16-ST5-GR-1.M32-G | | | | | |
| 1 | HB-16-ST5-GR-1.M25-G | | | | | |
| 1 | HB-16-ST5-GR-1.M32-G-prot | | | | | |
| 1 | HB-EMV-16-ST5-GR-1.M32-G | | | | | |
| 1 | HB-16-ST5-VS-1.M32-G.KM | | | | | |
| 1 | HB-16-ST5-GR-1.M32-G.KM | | | | | |
| 1 | HB-16-ST5-1.M32-G.KM | | | | | |
| 1 | HB-16-ST0-VS-1.M32-G.KM | | | | | |
| 1 | HB-16-ST0-1.M32-G.KM | | | | | |
| 1 | HB-KF-16-ST5-GR-1.M32-G | | | | | |
| 1 | HB-KF-16-ST0-1.M25-G | | | | | |
| 1 | HB-16-ST5-1.M25-G | | | | | |
| 1 | HB-KF-Z16-ST5-ZB-1.M32-G | | | | | |
| 1 | HB-KF-Z16-ST5-ZB-1.M32-G | | | | | |
| 1 | HB-KF-16-ST5-1.M32-G | | | | | |
| 1 | HB-KF-16-ST5-1.M32-G | | | | | |
| 1 | HB-Z16-ST5-ZB-1.M32-G | | | | | |
| 1 | HB-K-16-ST5-GR-1.M32-G | | | | | |
| 1 | HB-16-ST5-GR-1.M32-G | | | | | |
| 1 | HB-K-16-ST0-GR-1.M32-G | | | | | |
| 1 | HB-16-ST0-GR-1.M32-G | | | | | |
| 1 | HB-16-ST5-VS-1.M32-G | | | | | |
| 1 | HB-K-16-ST5-VS-1.M32-G | | | | | |
| 1 | HB-K-16-ST5-1.M32-G | | | | | |
| 1 | HB-16-ST5-1.M32-G | | | | | |
| 1 | HB-K-16-ST0-1.M32-G | | | | | |
| 1 | HB-16-ST0-1.M32-G | | | | | |