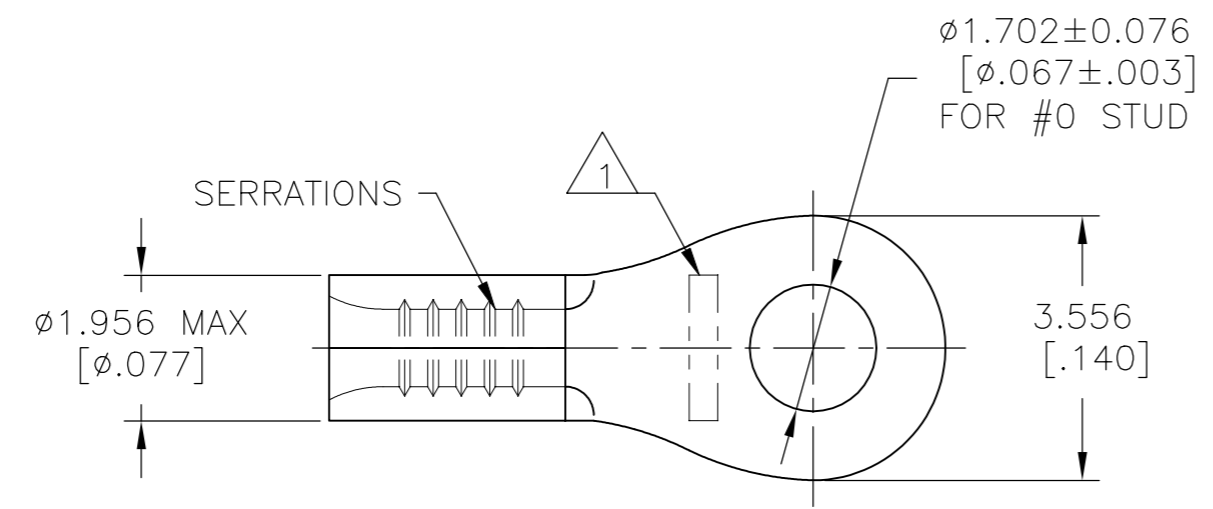


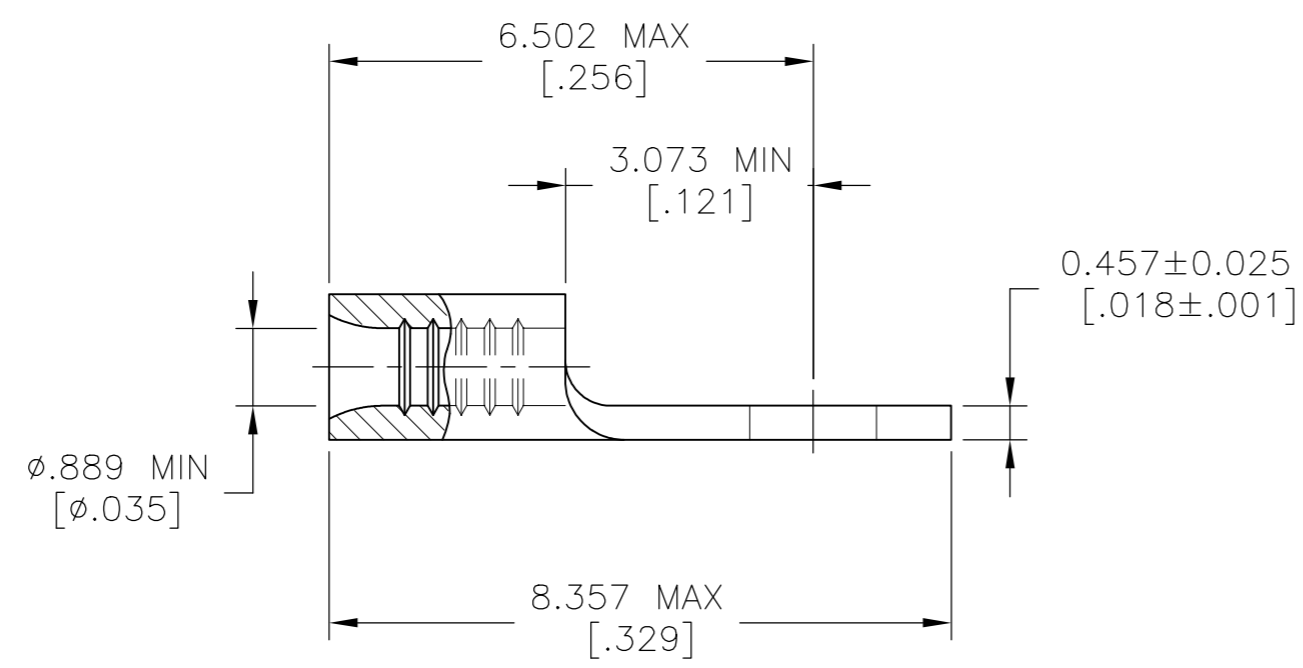
THIS DRAWING IS UNPUBLISHED. RELEASED FOR PUBLICATION
 © COPYRIGHT - By - ALL RIGHTS RESERVED.

REVISIONS					
P	LTR	DESCRIPTION	DATE	DWN	APVD
	B2	REVISED PER ECO-13-001411	25JAN13	KH	DR
	B3	REVISED PER ECO-17-008806	20FEB2018	RS	DR



- 1 STAMP AMP APPROX AS SHOWN
- 2 COPPER PER ASTM B-152, ANNEALED.
- 3 0.00254 [.000100] MIN TIN PLATE PER ASTM B-545
- 4 NOTE DELETED
- 5 NOTE DELETED

AMP WIRE RANGE	Listed FILE E13288	LR7189 Certified
26-22 AWG STRANDED	NOT LISTED	NOT CERTIFIED



FINISH	1000 QTY	LOOSE PIECE PACKAGE TYPE	31423 PART NO
--------	----------	--------------------------	---------------

AMP INCORPORATED CUSTOMER SERVICE SYSTEMS		MAX RECOMMENDED OPERATING TEMPERATURE: 170°C [338°F] MAX	THIS DRAWING IS A CONTROLLED DOCUMENT.		DWN TA BRINKMAN 2-2-93 CHK DA PATTERSON 2-2-93 APVD DE MILLER 2-2-93	TE Connectivity Ltd.				
FOR ADDITIONAL PRODUCT INFORMATION OR COPIES OF DRAWINGS AND TECHNICAL DOCUMENTS PRODUCT INFORMATION CENTER 1-800-522-6752	FOR APPLICATION TOOLING ASSISTANCE CENTER 1-800-722-1111	VOLTAGE RATING: N/A	DIMENSIONS: mm [INCHES]	TOLERANCES UNLESS OTHERWISE SPECIFIED: 0 PLC ± - 1 PLC ± - 2 PLC ± - 3 PLC ± 0.127 [.005] 4 PLC ± - ANGLES ± -	PRODUCT SPEC UL 486 A-B		NAME TERMINAL, RING TONGUE, BUDGET 26-22 AWG			
FOR ORDER ENTRY 1-800-526-5142	THIS DRAWING IS A CONTROLLED DOCUMENT FOR AMP INCORPORATED. IT IS SUBJECT TO CHANGE AND THE CONTROLLING ENGINEERING ORGANIZATION SHOULD BE CONTACTED FOR THE LATEST REVISION.	CIRCULAR MIL AREA: 0.1-0.41mm² [202-810] STRANDED	MATERIAL COPPER	FINISH SEE TABLE	APPLICATION SPEC -	WEIGHT -	SIZE A2	CAGE CODE 00779	DRAWING NO C-31423	RESTRICTED TO -
CUSTOMER DRAWING					SCALE 10:1	SHEET 1 OF 1	REV B3			