

THIS DRAWING IS UNPUBLISHED. RELEASED FOR PUBLICATION DEC ,2003.

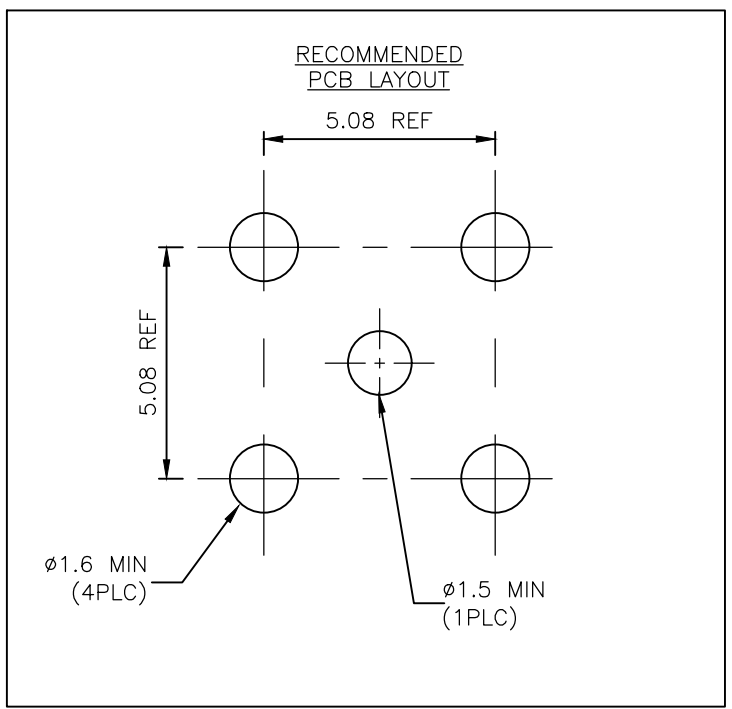
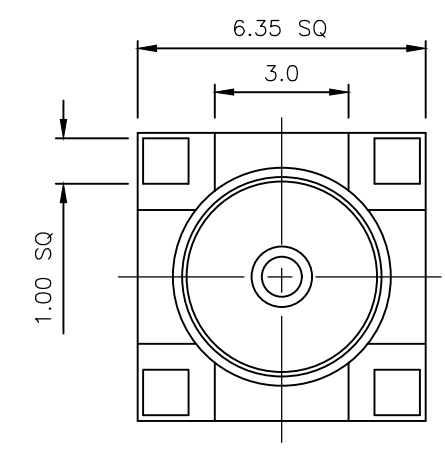
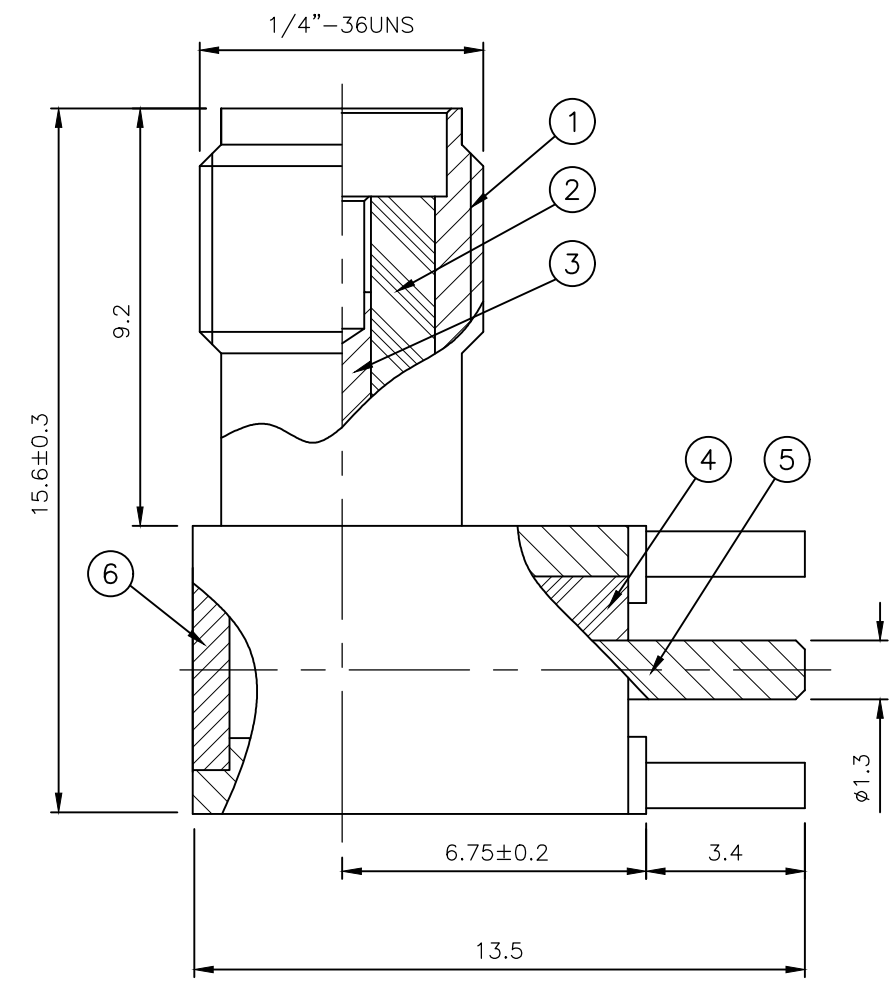
© COPYRIGHT 2003 By - ALL RIGHTS RESERVED.

REVISIONS

P	LTR	DESCRIPTION	DATE	DWN	APVD
	F1	REVISE PER ECR-19-016653	13NOV2019	RZ	RS

NOTES:

- 1. SINGLE PACK IN ACCORDANCE WITH SPEC 107-3275
- 2. 30 TRAY PACK IN ACCORDANCE WITH SPEC 107-3275
- 3. 0.08µm GOLD PLATING
- 4. 0.76µm GOLD PLATING
- 5. ELECTRICAL CHARACTERISTICS
 FREQUENCY RANGE:
 STAINLESS STEEL: DC-12.4GHz
 BRASS: DC-6GHz
 NOMINAL IMPEDANCE: 50 OHMS
 INSULATION RESISTANCE: 5000 MOHMS
 WORKING VOLTAGE: 500 VOLTS MAX.
 DIELECTRIC WITHSTAND VOLTAGE: 1000 VOLTS MAX.
 VSWR: 1.23 MAX.
 RETURN LOSS: DC..6GHz<=-19.73dB
 INSERTION LOSS: 0.1 dB MAX. @3 GHz
 CONTACT RESISTANCE: 3 mOHMS
 CENTRE CONTACT: 2 mOHMS
 OUTER CONTACT: 2 mOHMS
- 6. MECHANICAL CHARACTERISTICS
 DURABILITY: 500 CYCLES
 TORQUE SETTING: 0.15-0.20 NM
- 7. ENVIRONMENTAL
 OPERATING TEMPERATURE: -65~+165°
- 8. FOR TECHNICAL DATA REFER TO YOUR LOCAL TE CONNECTIVITY SALES OFFICE
- 9. ALL DIMENSIONS ARE NOMINAL FOR REFERENCE ONLY UNLESS OTHERWISE STATED



QTY	DESCRIPTION	ITEM
1	BRASS	ACCESS CAP 6
-	STAINLESS STEEL	ACCESS CAP 6
-	BRASS	PIN 5
1	BRASS	PIN 5
1	PTFE	INSULATOR 4
-	BERYLLIUM COPPER	SOCKET 3
1	PHOSPHOR BRONZE	SOCKET 3
1	PTFE	INSULATOR 2
1	BRASS	BODY 1
-	STAINLESS STEEL	BODY 1
3--1		
3--0		
1--1		
1--0		
	MATERIAL	DESCRIPTION ITEM

THIS DRAWING IS A CONTROLLED DOCUMENT.

DWN J.SANDWELL 09DEC03
 CHK S.PARLOW 09DEC03
 APVD F.WHEELER-KING 09DEC03

STE TE Connectivity

NAME SMA RIGHT ANGLE PCB SOCKET RECEPTACLE

PRODUCT SPEC
 APPLICATION SPEC

SIZE A3 CAGE CODE 00779 DRAWING NO C-1478978 RESTRICTED TO

WEIGHT 0.000000

CUSTOMER DRAWING SCALE NTS SHEET 1 OF 1 REV F1

DIMENSIONS:	TOLERANCES UNLESS OTHERWISE SPECIFIED:
mm	
0 PLC	± -
1 PLC	± 0.2
2 PLC	± 0.1
3 PLC	± -
4 PLC	± -
ANGLES	± 5°

MATERIAL SEE TABLE FINISH -