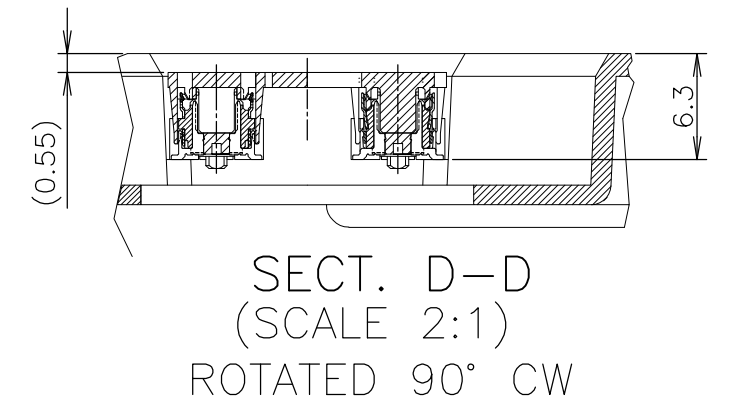
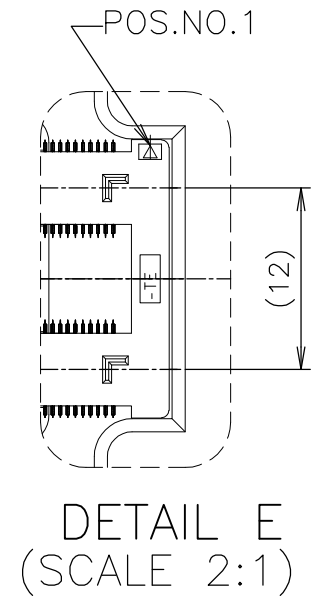
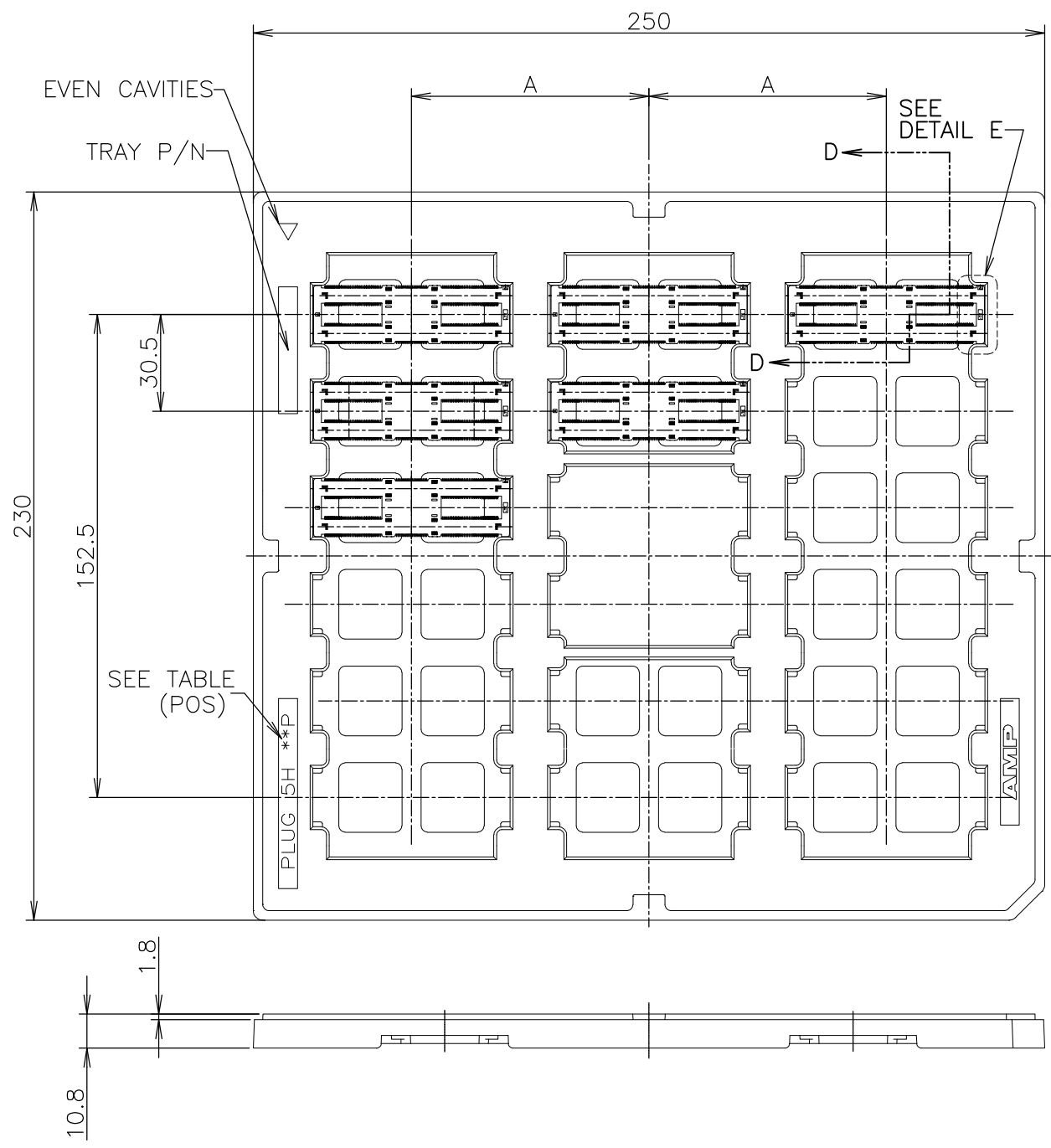



THIS DRAWING IS UNPUBLISHED. RELEASED FOR PUBLICATION .2005.
 © COPYRIGHT 2005 By - ALL RIGHTS RESERVED.

REVISIONS					
P	LTR	DESCRIPTION	DATE	DWN	APVD
	B1	REVISED PER ECO-11-005030	11MAR11	RK	HMR
	B2	REVISED PER ECO-16-010697	20JUL2016	BJ	SY



NO	3	18	75	440	3-1827233-6
SEALANT	ROW	QTY	A	POS.	PART NO.

THIS DRAWING IS A CONTROLLED DOCUMENT.		DWN S.CH IEN 18MAY05	 TE Connectivity HARD TRAY ASSY FH 0.5 BTB CONNECTOR 440POS PLUG 5H W/G-PLATE ON 2 ROW CAP			
DIMENSIONS: MM		CHK T.FUTATSUGI 18MAY05				NAME
TOLERANCES UNLESS OTHERWISE SPECIFIED:		APVD W.KODAMA 18MAY05				PRODUCT SPEC
0 PLC ± 0.3 1 PLC ± 0.3 2 PLC ± 0.3 3 PLC ± 0.3 4 PLC ± 0.3 ANGLES ± 3°		APPLICATION SPEC				108-5560
MATERIAL		FINISH	WEIGHT	SIZE A3	CAGE CODE 00779	
CUSTOMER DRAWING			DRAWING NO C-1827233	RESTRICTED TO		
			SCALE 1:2	SHEET 1 OF 4	REV B2	

4

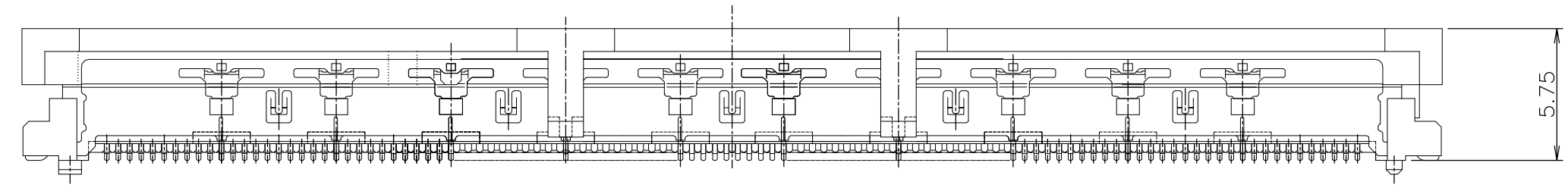
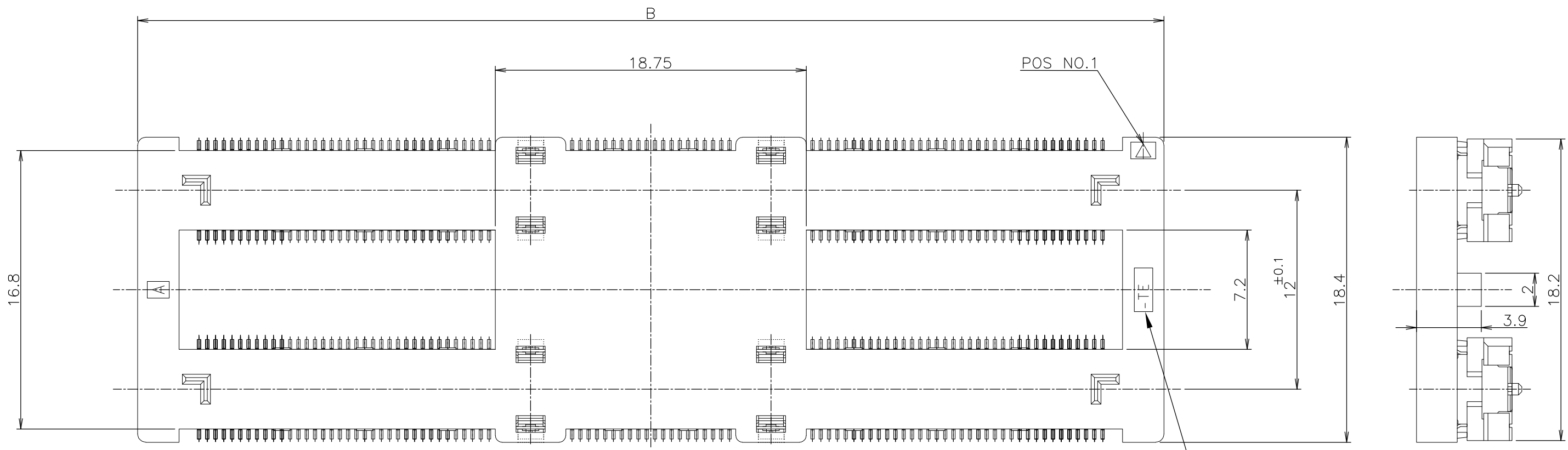
3

2

1

THIS DRAWING IS UNPUBLISHED. RELEASED FOR PUBLICATION ,2002.
 © COPYRIGHT 2002 By - ALL RIGHTS RESERVED.

REVISIONS					
P	LTR	DESCRIPTION	DATE	DWN	APVD
-	-	SEE SHEET 1	-	-	-



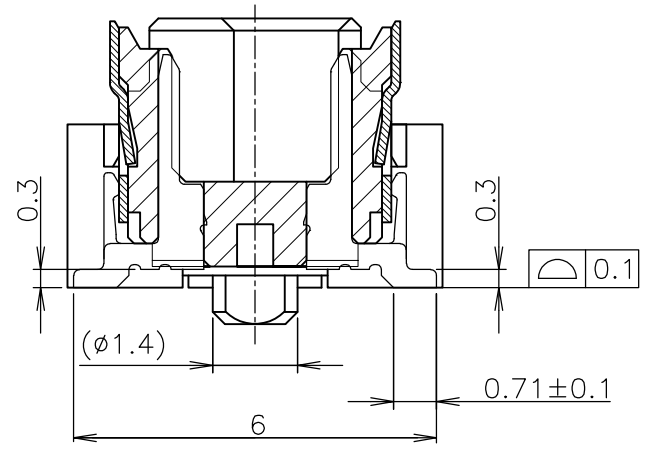
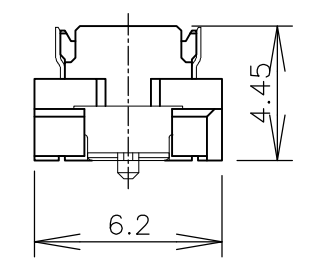
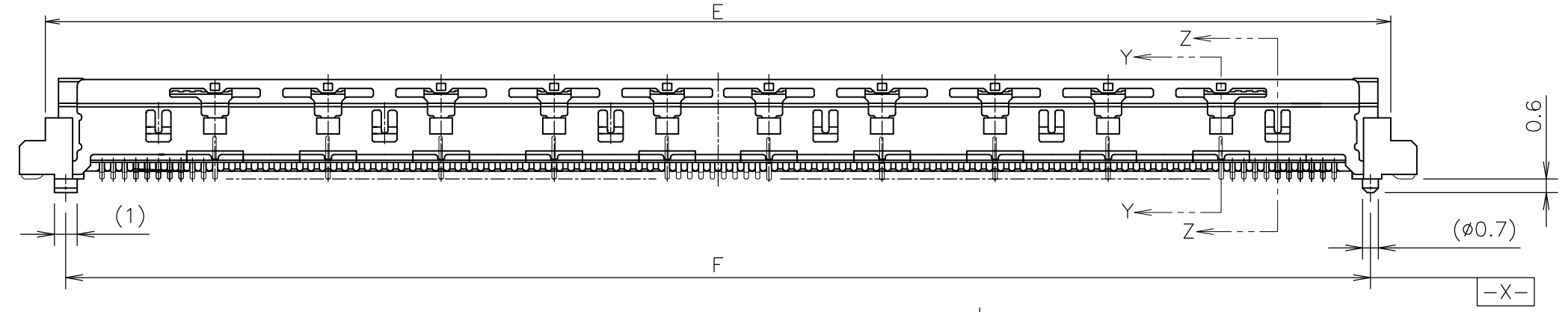
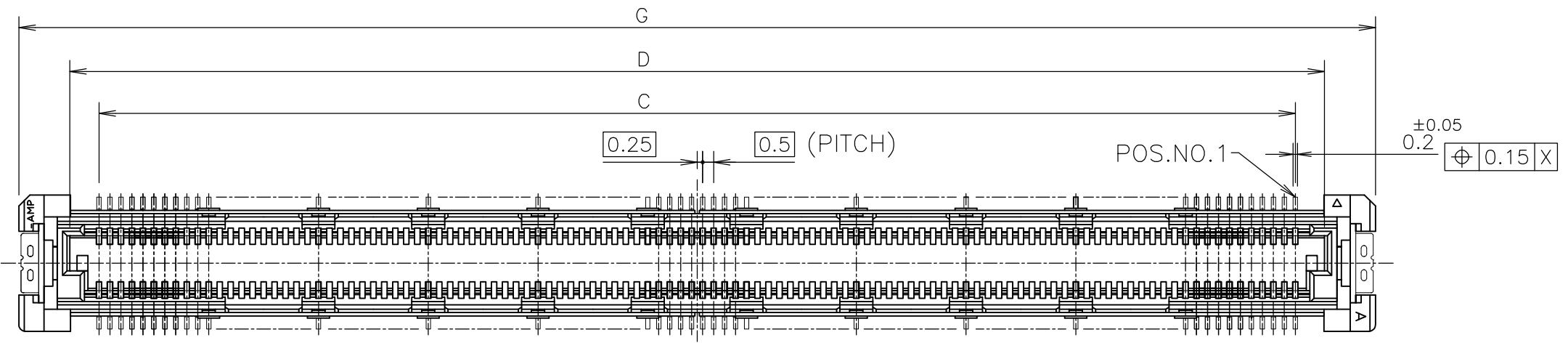
BLACK	61.9	440	3-1827233-6
CAP COLOR	B	POS	PART NO.

NOTE
 1 SINK SURFACE 0.1, RISING CHARACTER 0.08
 '-TE' MANUFACTURED BY TE JP
 '-TE-' MANUFACTURED BY TE QD

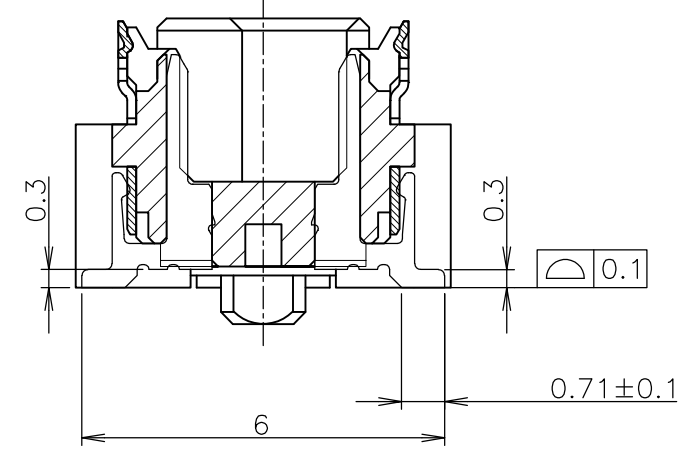
THIS DRAWING IS A CONTROLLED DOCUMENT.		DWN	TE Connectivity HARD TRAY ASSY FH 0.5 BTB CONNECTOR 440POS PLUG 5H W/G-PLATE ON 2 ROW CAP			
DIMENSIONS: MM		CHK				NAME
TOLERANCES UNLESS OTHERWISE SPECIFIED:		APVD				PRODUCT SPEC
0 PLC ± 0.3 1 PLC ± 0.3 2 PLC ± 0.3 3 PLC ± 0.3 4 PLC ± 0.3 ANGLES ± 3°		APVD				APPLICATION SPEC
MATERIAL		WEIGHT	SIZE	CAGE CODE	DRAWING NO	RESTRICTED TO
			A3	00779	C-1827233	
CUSTOMER DRAWING			SCALE	SHEET	REV	
			4:1	2 OF 4	B2	

THIS DRAWING IS UNPUBLISHED. RELEASED FOR PUBLICATION .2002.
 © COPYRIGHT 2002 By - ALL RIGHTS RESERVED.

REVISIONS				
P	LTR	DESCRIPTION	DATE	APVD
-	-	SEE SHEET 1	-	-



SECT. Z-Z
(SIGNAL POSITION)
(SCALE 8:1)



SECT. Y-Y
(GROUND POSITION)
(SCALE 8:1)

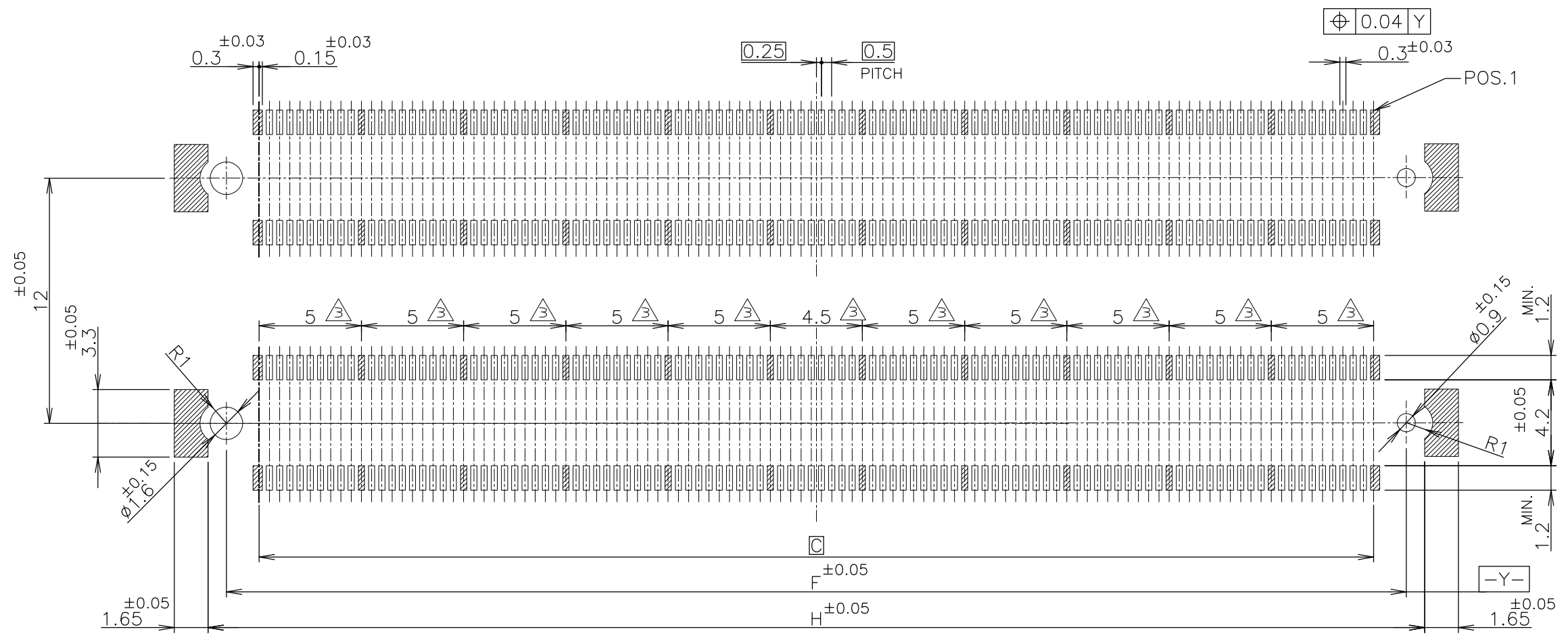
NOTES
 △ MATERIAL ; HOUSING : HIGH TEMP THERMO PLASTIC UL94V-0
 CONTACT : COPPER ALLOY
 SOLDER PEG : COPPER ALLOY
 △ FINISH ; SIGNAL CONTACT : UNDER PL Ni 0.0013mm MIN ALL OVER.
 CONTACT AREA 0.0002mm MIN Au PL.
 SOLDERING AREA 0.00005mm MIN Au PL.
 GROUND CONTACT : UNDER PL Ni 0.0013mm MIN ALL OVER.
 CONTACT AREA 0.0002mm MIN Au PL.
 SOLDERING AREA 0.001mm MIN Sn PL.
 SOLDER PEG : 0.001mm MIN Sn PL. OVER
 0.0013mm MIN Ni PL ALL OVER.
 △ THIS POSITION IS GROUND CIRCUIT.

61.8	57.7	59.5	57.1	54.5	220	BLACK	3-1827233-6
G	F	E	D	C	POS.	HSG COLOR	PART NO.

THIS DRAWING IS A CONTROLLED DOCUMENT.		DWN		STE TE Connectivity			
DIMENSIONS: MM		CHK					
TOLERANCES UNLESS OTHERWISE SPECIFIED:		APVD		NAME			
0 PLC ± 0.3		PRODUCT SPEC		HARD TRAY ASSY			
1 PLC ± 0.3		APPLICATION SPEC		FH 0.5 BTB CONNECTOR 440POS			
2 PLC ± 0.3		WEIGHT		PLUG 5H W/G-PLATE ON 2 ROW CAP			
3 PLC ± 0.3		CUSTOMER DRAWING		SIZE	CAGE CODE	DRAWING NO	RESTRICTED TO
4 PLC ± 0.3				A3	00779	C-1827233	
ANGLES ± 3'				SCALE		SHEET	
FINISH				4:1		3 OF 4	
△		△		REV		B2	

THIS DRAWING IS UNPUBLISHED. RELEASED FOR PUBLICATION .2002.
 © COPYRIGHT 2002 By - ALL RIGHTS RESERVED.

REVISIONS					
P	LTR	DESCRIPTION	DATE	DWN	APVD
-	-	SEE SHEET 1	-	-	-



REFERENCE P.C.BOARD LAYOUT

59.5	440	3-1827233-6
H	POS	PART NO.

THIS DRAWING IS A CONTROLLED DOCUMENT.		DWN	TE Connectivity NAME HARD TRAY ASSY FH 0.5 BTB CONNECTOR 440POS PLUG 5H W/G-PLATE ON 2 ROW CAP				
DIMENSIONS: MM		CHK					
		APVD					
TOLERANCES UNLESS OTHERWISE SPECIFIED: 0 PLC ± 0.3 1 PLC ± 0.3 2 PLC ± 0.3 3 PLC ± 0.3 4 PLC ± 0.3 ANGLES ± 3°		PRODUCT SPEC					
MATERIAL		FINISH	APPLICATION SPEC	SIZE	CAGE CODE	DRAWING NO	RESTRICTED TO
			WEIGHT	A3	00779	C-1827233	-
CUSTOMER DRAWING				SCALE	4:1	SHEET	4 OF 4
				REV	B2		