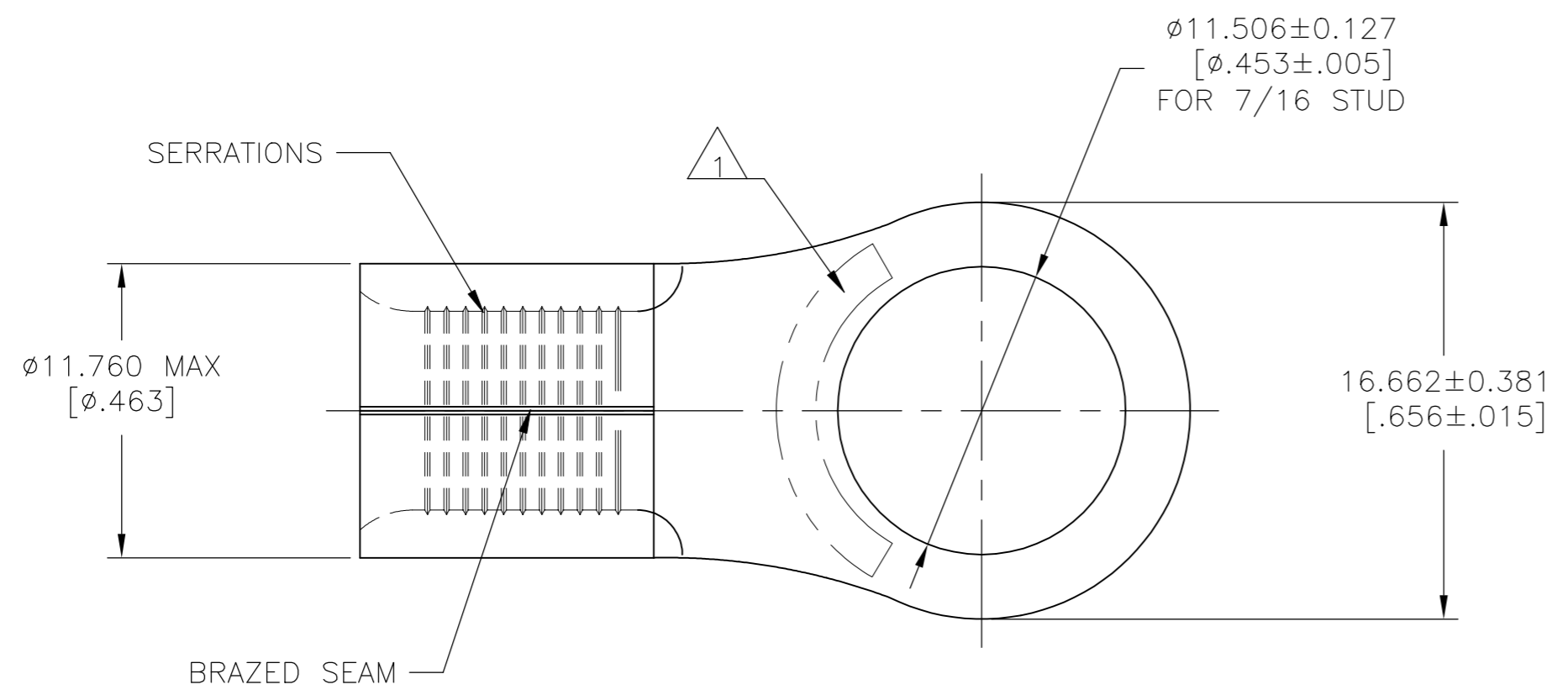


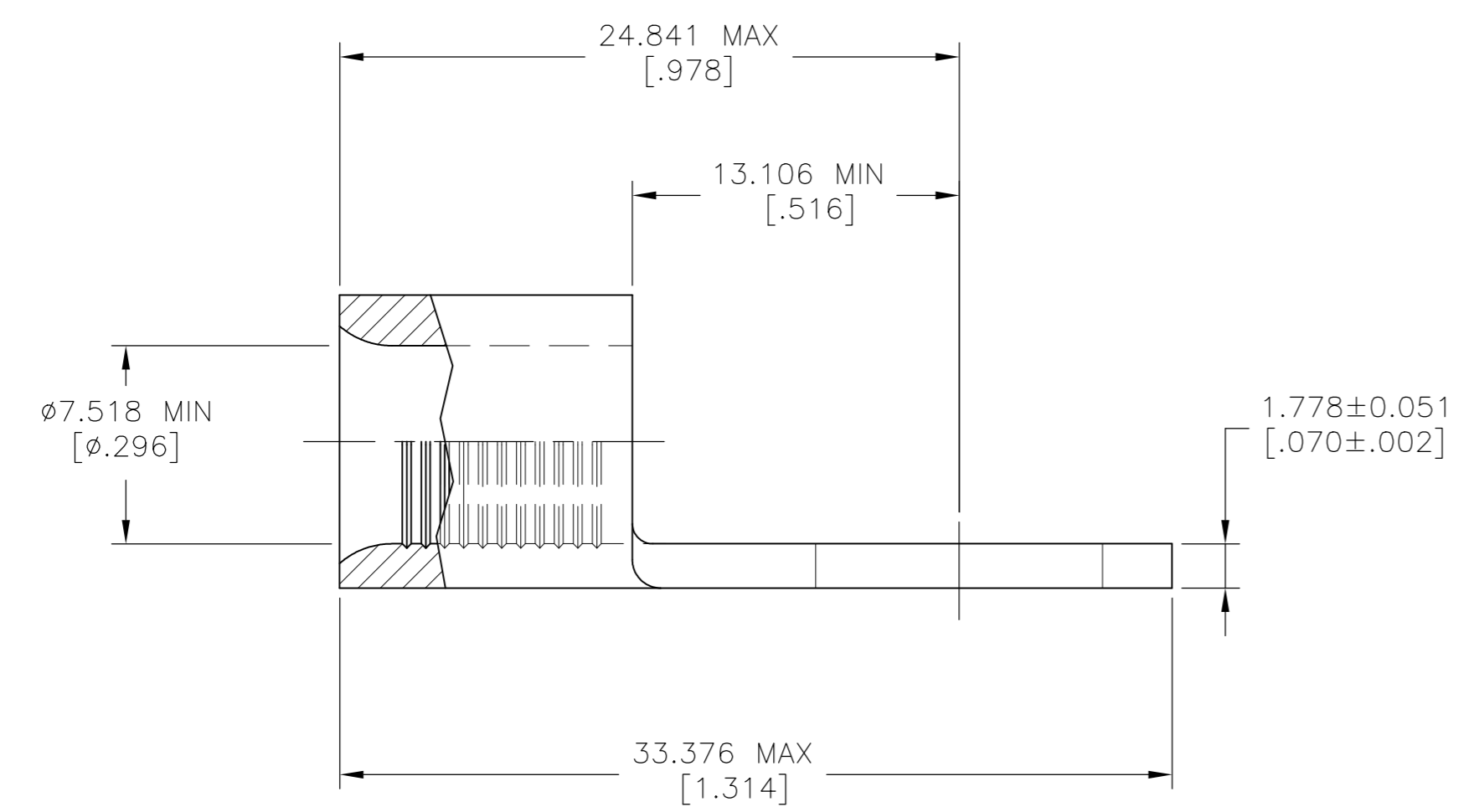
THIS DRAWING IS UNPUBLISHED. RELEASED FOR PUBLICATION
 © COPYRIGHT - TE Connectivity Ltd. ALL RIGHTS RESERVED.

REVISIONS					
P	LTR	DESCRIPTION	DATE	DWN	APVD
	F	REVISED PER ECR-09-020122	24SEP09	HMR	TM
	F1	REVISED PER ECO-17-008806	16FEB2018	RS	DR



AMP WIRE RANGE	UL Listed FILE E13288	LR7189 Certified
4 AWG SOLID OR STRANDED	4 AWG STRANDED	4 AWG SOLID OR STRANDED

- 1 STAMP AMP 4* APPROX AS SHOWN
- 2 TIN PLATE 0.00254 [.000100] MIN THK PER ASTM B-545
- 3 NOTE DELETED
- 4 COPPER PER ASTM B-152, ANNEALED
- 5 NOTE DELETED



100	LOOSE PIECE	2	320743
QTY	PACKAGE TYPE	FINISH	PART NO.

AMP INCORPORATED CUSTOMER SERVICE SYSTEMS		THIS DRAWING IS A CONTROLLED DOCUMENT.		DWN TA BRINKMAN 3-29-93		TE TE Connectivity Ltd.	
FOR ADDITIONAL PRODUCT INFORMATION OR COPIES OF DRAWINGS AND TECHNICAL DOCUMENTS		DIMENSIONS: mm [INCHES]		CHK DA PATTERSON 3-29-93			
PRODUCT INFORMATION CENTER 1-800-522-6752		TOLERANCES UNLESS OTHERWISE SPECIFIED:		APVD JL MECKLEY 3-29-93		NAME	
FOR APPLICATION TOOLING ASSISTANCE CENTER 1-800-722-1111		0 PLC ± - 1 PLC ± - 2 PLC ± - 3 PLC ± 0.127[.005] 4 PLC ± - ANGLES ± -		PRODUCT SPEC		TERMINAL, RING, TONGUE, SOLISTRAND 4 AWG	
TOOLING INFORMATION 1-800-526-5142		VOLTAGE RATING: NOT APPLICABLE		APPLICATION SPEC		SIZE CAGE CODE DRAWING NO. RESTRICTED TO	
FOR ORDER ENTRY		WIRE CROSS SECTIONAL AREA RANGE, 16.8-26.7mm ² [33,100-52,600] CIR MILS SOLID OR STRANDED		MATERIAL - 4		A2 00779 C-320743	
				FINISH SEE TABLE		SCALE 4:1 SHEET 1 OF 1 REV F1	
				CUSTOMER DRAWING			