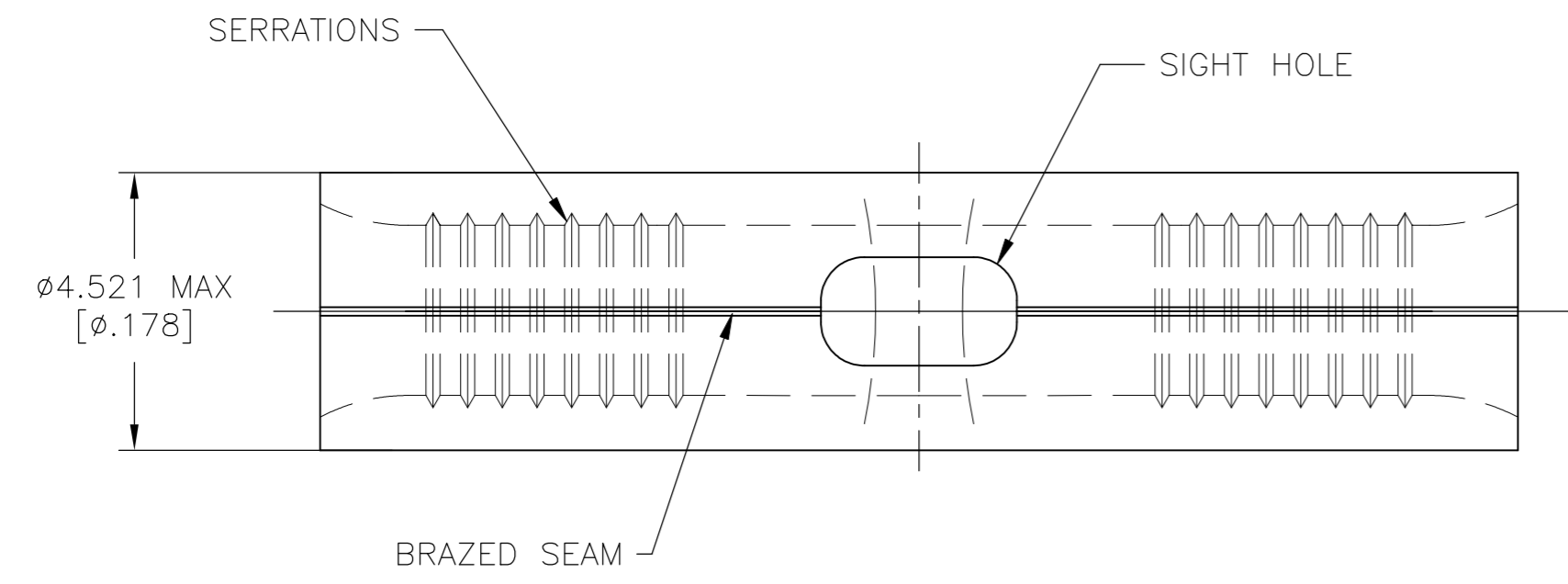


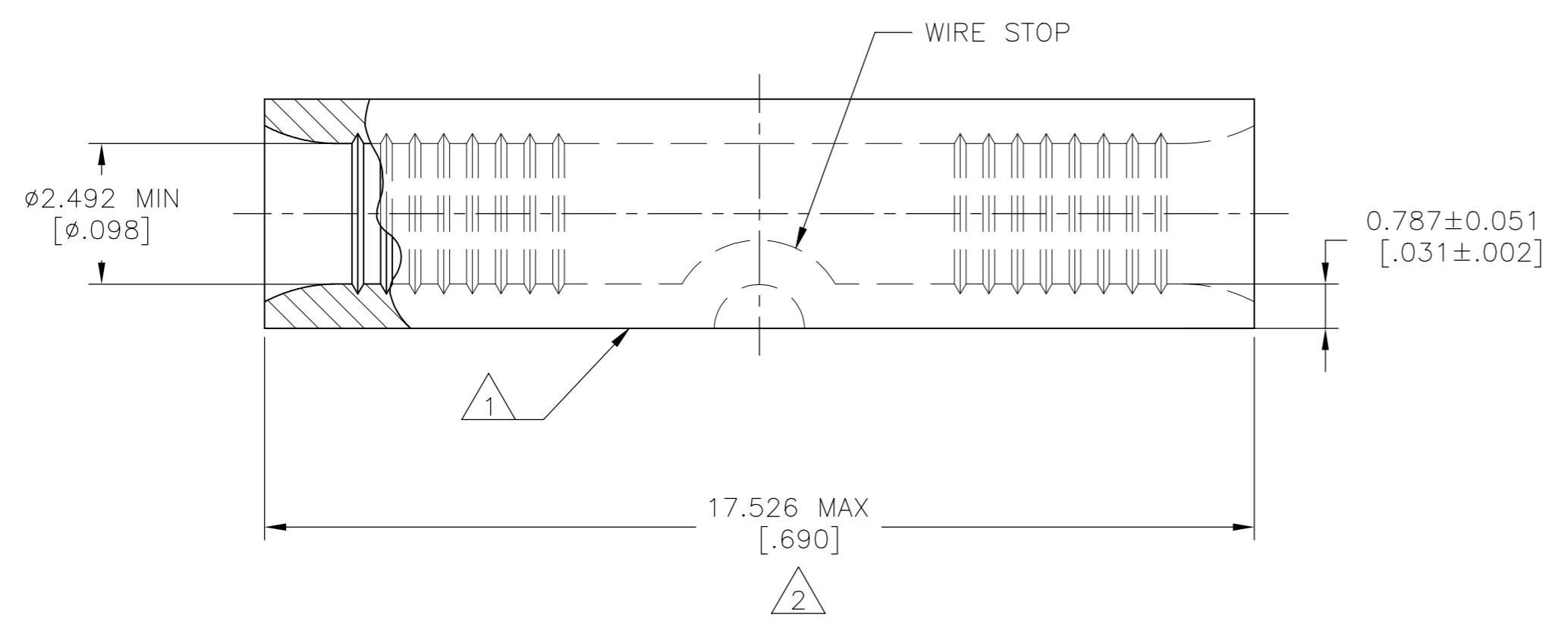
THIS DRAWING IS UNPUBLISHED. RELEASED FOR PUBLICATION
 © COPYRIGHT - TE Connectivity Ltd. ALL RIGHTS RESERVED.

P	LTR	DESCRIPTION	DATE	DWN	APVD
	H	REL PER 0G3A-0372-02	20JUN02	-	MS
	H1	REVISED PER ECO-17-008806	22FEB2018	RS	DR



AMP WIRE RANGE	E13288 Listed
14-12 AWG SOLID OR STRANDED	14-12 AWG STRANDED
LR7189 Certified	MILITARY P/N AND CLASS
14-12 AWG SOLID OR STRANDED	NOT APPLICABLE

- 1 STAMP AMP 14-12* APPROX AS SHOWN
- 2 MAXIMUM LENGTH DOES NOT INCLUDE MANUFACTURING TABS



1000	LOOSE PIECE	321280
QTY	PACKAGE TYPE	PART NUMBER

AMP INCORPORATED CUSTOMER SERVICE SYSTEMS			THIS DRAWING IS A CONTROLLED DOCUMENT.			DWN 22FEB2018 RAVI S			TE Connectivity Ltd.																	
FOR ADDITIONAL PRODUCT INFORMATION OR COPIES OF DRAWINGS AND TECHNICAL DOCUMENTS PRODUCT INFORMATION CENTER 1-800-522-6752			MAX RECOMMENDED OPERATING TEMPERATURE: 170°C [338°F] MAX			DIMENSIONS: mm [INCHES]			TOLERANCES UNLESS OTHERWISE SPECIFIED: 0 PLC ± - 1 PLC ± - 2 PLC ± - 3 PLC ± 0.127[.005] 4 PLC ± - ANGLES ± -			CHK 22FEB2018 ROHDE DANIEL F			NAME SPLICE, BUTT, SIGHT HOLE, SOLISTRAND											
FOR APPLICATION TOOLING ASSISTANCE CENTER 1-800-722-1111			VOLTAGE RATING: NOT APPLICABLE						APVD 22FEB2018 ROHDE DANIEL F			APPLICATION SPEC UL 486 A-B			SIZE A2			CAGE CODE 00779			DRAWING NO 321280			RESTRICTED TO -		
TOOLING INFORMATION 1-800-722-1111			WIRE CROSS SECTIONAL AREA RANGE, 1.65-4.17mm²[3,260-8,230] CIR MILS SOLID OR STRANDED			MATERIAL COPPER PER ASTM B-152 ANNEALED			FINISH TIN PLATE 0.00254[.000100] MIN THK PER ASTM B545			WEIGHT -			SCALE 10:1			SHEET 1 of 1			REV H1					
FOR ORDER ENTRY 1-800-526-5142						CUSTOMER DRAWING																				