

4

3

2

1

THIS DRAWING IS UNPUBLISHED.

RELEASED FOR PUBLICATION

,-,-

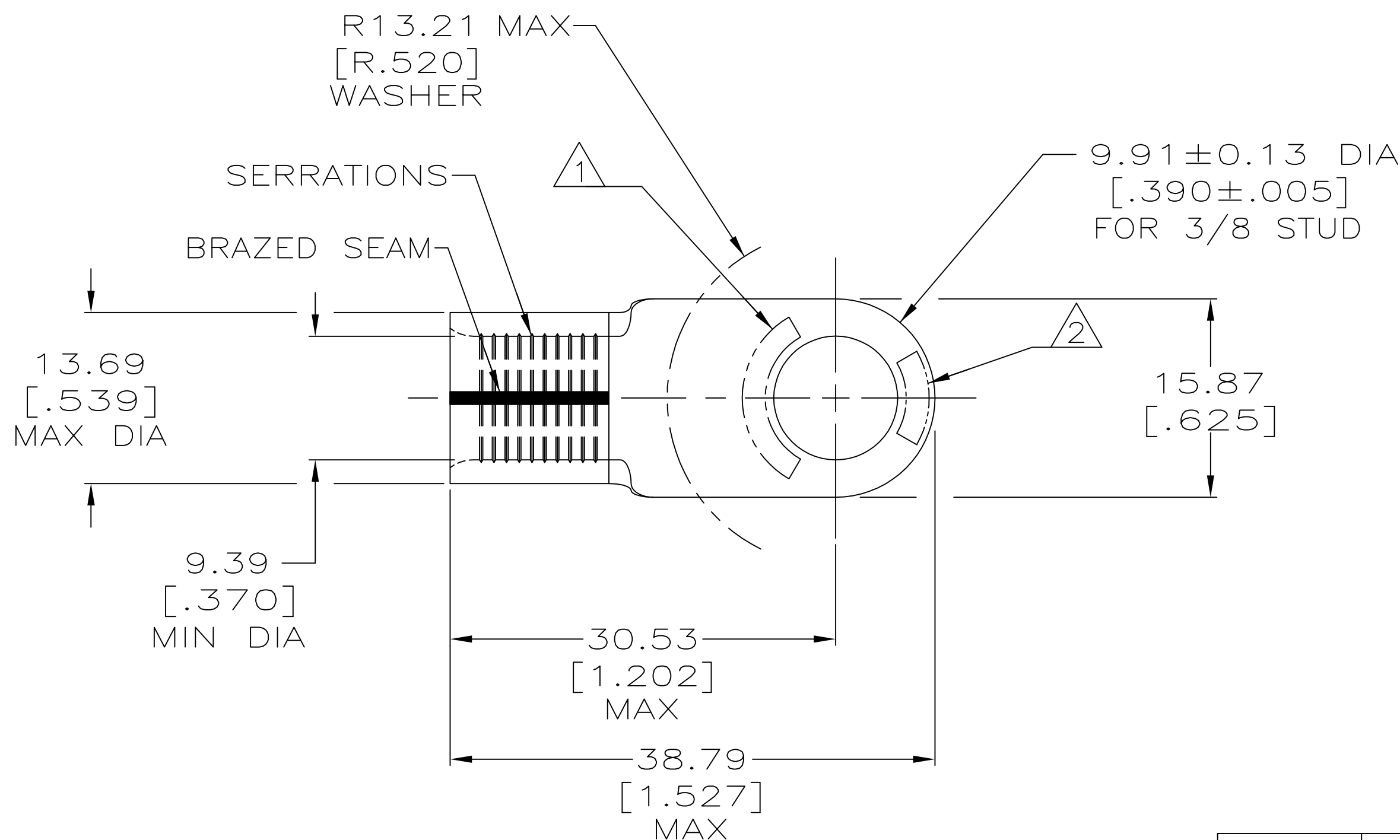
REVISIONS

© COPYRIGHT - By -

ALL RIGHTS RESERVED.

P	LTR	DESCRIPTION	DATE	DWN	APVD
	N2	REVISED PER ECO-15-006978	11MAY2015	NK	MM
	N3	REVISED PER ECO-17-004099	24AUG2017	BDA	DR

<b>AMP</b> WIRE RANGE	Listed FILE E13288	LR7189 Certified
2 AWG SOLID OR STRANDED	2 AWG STRANDED	2 AWG SOLID OR STRANDED



- 1 STAMP AMP 2W\* APPROX AS SHOWN.
- 2 STAMP 60-75 APPROX AS SHOWN.
- 3 MATERIAL THK: 1.78±0.08[.070±.003].
- 4 TIN PLATE 0.00254[.000100] MIN EXT. THK PER ASTM B-545.
- 5 NOTE DELETED.
- 6 MEETS MS20659-114, CLASS 2.
- 7 NOTE DELETED.

50	LOOSE PIECE			321600
QTY	PACKAGE TYPE	MILITARY	FINISH	PART NO

CUSTOMER SERVICE SYSTEMS

MAX RECOMMENDED OPERATING TEMPERATURE:  
170°C[338°F]

THIS DRAWING IS A CONTROLLED DOCUMENT.

DWN DK SCHRUM 5/25/93

CHK RD HEIM 1/27/94

APVD J MECKLEY 1/27/94

PRODUCT SPEC

APPLICATION SPEC

WEIGHT

TE Connectivity

NAME  
TERMINAL, RING TONGUE,  
SOLISTRAND

SIZE	CAGE CODE	DRAWING NO	RESTRICTED TO
A3	00779	321600	-

FOR ADDITIONAL PRODUCT INFORMATION OR COPIES OF DRAWINGS AND TECHNICAL DOCUMENTS

PRODUCT INFORMATION CENTER  
1-800-522-6752

FOR APPLICATION TOOLING INFORMATION

TOOLING ASSISTANCE CENTER  
1-800-722-1111

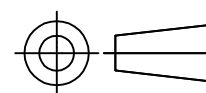
FOR ORDER ENTRY

1-800-526-5142

VOLTAGE RATING:  
N/A

CIRCULAR MIL AREA:  
26.7-42.4mm² [52,600-83,700]  
SOLID OR STRANDED

DIMENSIONS:  
INCHES



TOLERANCES UNLESS OTHERWISE SPECIFIED:

0 PLC	± -
1 PLC	± -
2 PLC	± 0.13(.005)
3 PLC	± -
4 PLC	± -
ANGLES	± -

MATERIAL  
COPPER ASTM B-152

FINISH  
SEE TABLE

CUSTOMER DRAWING

SCALE 2:1 SHEET 1 OF 1 REV N3