

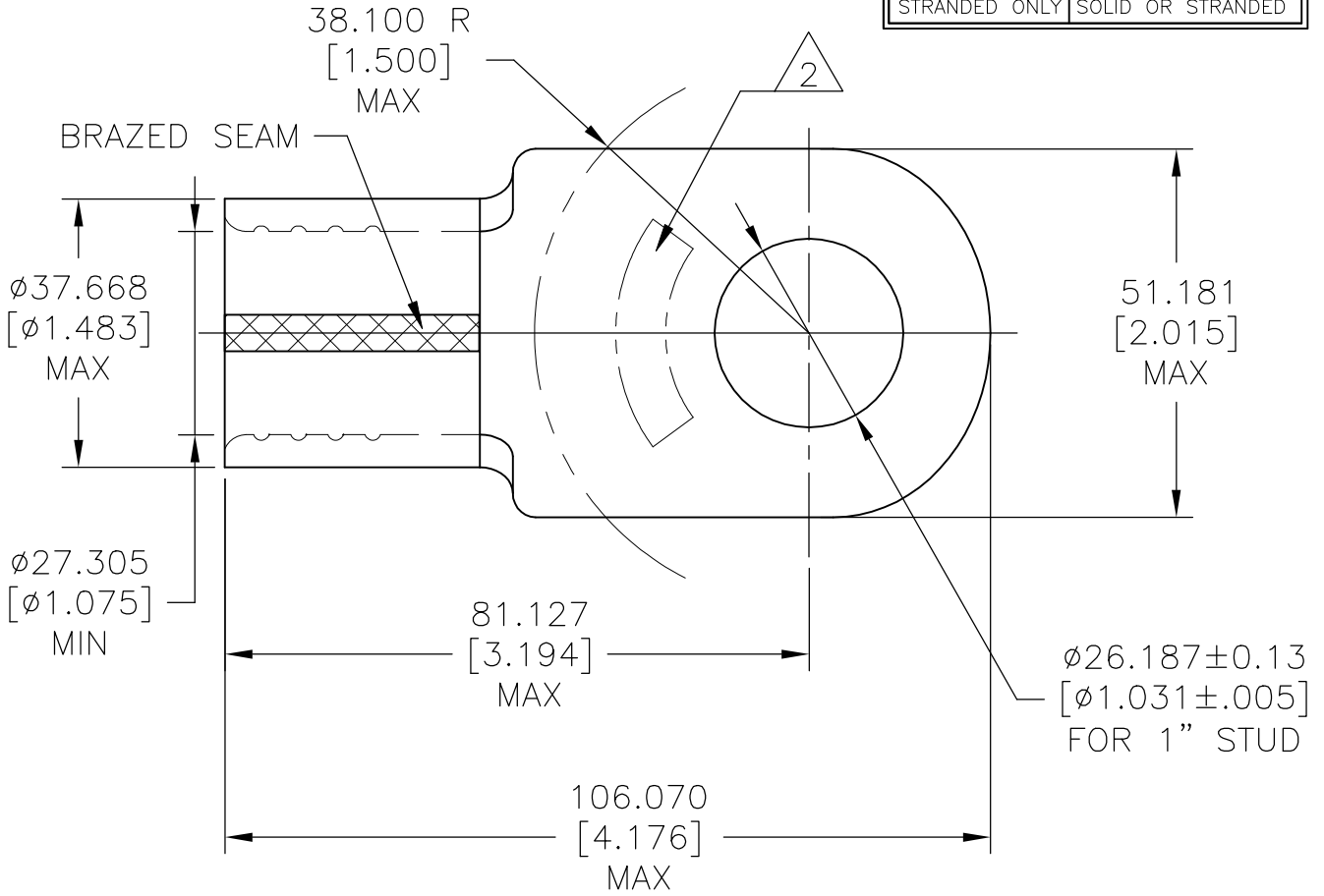


REVISIONS					
P	LTR	DESCRIPTION	DATE	DWN	APVD
	D	REVISED PER ECO-17-004099	30AUG2017	RS	DR
	E	REVISED PER ECO-18-001491	31JAN2018	RS	DR


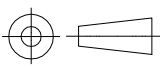
 E13288 Listed	 LR7189 Certified
500-600 MCM STRANDED ONLY	500-600 MCM SOLID OR STRANDED



1 BODY MATERIAL THICKNESS $4.521 \pm 0.102 [.178 \pm .004]$

2 STAMP AMP 500-600 MCM* APPROX AS SHOWN

25	LOOSE PIECE	322273
QTY	PACKAGE TYPE	PART NUMBER

DIMENSIONS: mm [INCHES]	DWN DK SCHRUM 6/12/92	MATERIAL COPPER ASTM B-152	FINISH .000100 MIN EXT THK TIN PLATE PER ASTM B545
	CHK RD HEIM 6/26/92	 TE Connectivity Ltd.	
TOLERANCES UNLESS OTHERWISE SPECIFIED:	APVD AJ KAUFMAN 6/26/92		
0 PLC ± -	PRODUCT SPEC UL 486 A-B	NAME TERMINAL, RING TONGUE, SOLISTRAND™	
1 PLC ± -	APPLICATION SPEC -	WIRE SIZE: 253.0-304.0mm ² [500-600] MCM	
2 PLC ± -		SIZE A4	CAGE CODE 00779
3 PLC ± 0.127[.005]	WEIGHT -	RESTRICTED TO -	
4 PLC ± -		SCALE 1:1 SHEET 1 OF 1 REV E	
ANGLES ± -		CUSTOMER DRAWING	

THIS DRAWING IS UNPUBLISHED. ALL RIGHTS RESERVED. © COPYRIGHT - TE Connectivity