

4

3

2

1

THIS DRAWING IS UNPUBLISHED.

RELEASED FOR PUBLICATION

© COPYRIGHT - TE Connectivity

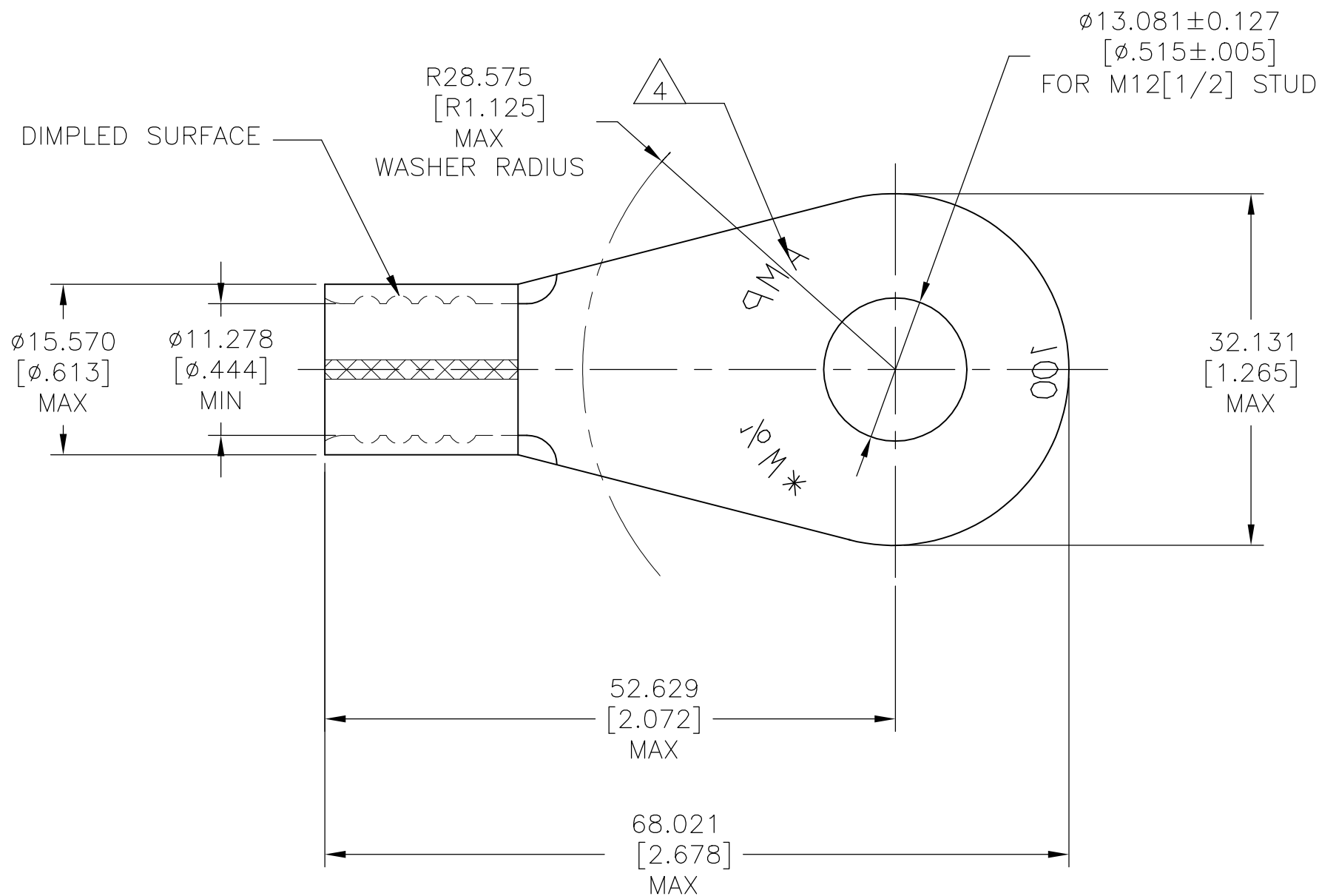
ALL RIGHTS RESERVED.

REVISIONS

P	LTR	DESCRIPTION	DATE	DWN	APVD
	D	REVISED PER ECO-17-004099	30AUG2017	RS	DR
	E	REVISED PER ECO-18-004162	06APR2018	RS	DR

AMP WIRE RANGE	E13288 Listed
1/0 AWG SOLID OR STRANDED	1/0 AWG STRANDED ONLY

LR7189 Certified
1/0 AWG SOLID OR STRANDED



- 1 COPPER PER ASTM B-152, ANNEALED
- 2 TIN PLATE .000100 MIN EXT. THK PER ASTM B-545
- 3 BODY MATERIAL THK IS $1.778 \pm 0.076 [.070 \pm .003]$
- 4 STAMP AMP 1/0 W* APPROX AS SHOWN

50	LOOSE PIECE	322291
QTY	PACKAGE TYPE	PART NO

AMP INCORPORATED
CUSTOMER SERVICE SYSTEMS

THIS DRAWING IS A CONTROLLED DOCUMENT.

DWN	jr ruth	07MAY04
CHK	MJ SPICER	07MAY04
APVD	MJ SPICER	07MAY04

TE Connectivity Ltd.

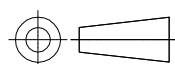
FOR ADDITIONAL
PRODUCT INFORMATION OR
COPIES OF DRAWINGS
AND TECHNICAL DOCUMENTS

PRODUCT INFORMATION CENTER
1-800-522-6752

MAX RECOMMENDED OPERATING
TEMPERATURE:
170°C [338°F] MAX

DIMENSIONS:
mm [INCHES]

TOLERANCES UNLESS
OTHERWISE SPECIFIED:



0 PLC	± -
1 PLC	± -
2 PLC	± -
3 PLC	± 0.127[.005]
4 PLC	± -
ANGLES	± 5°

PRODUCT SPEC
UL 486 A-B
APPLICATION SPEC

NAME
WIRE TERMINAL
SOLISTRAND, RING TONGUE
WIRE SIZE 1/0 AWG

FOR APPLICATION
TOOLING INFORMATION

TOOLING ASSISTANCE CENTER
1-800-722-1111

VOLTAGE RATING:
NOT APPLICABLE

MATERIAL

FINISH



WEIGHT

SIZE	CAGE CODE	DRAWING NO	RESTRICTED TO
A3	00779	C-322291	-

FOR ORDER ENTRY
1-800-526-5142

WIRE CROSS SECTIONAL AREA RANGE,
 $42.4-60.6\text{mm}^2 [83,700-119,500]$

MATERIAL

FINISH

CUSTOMER DRAWING

SCALE 2:1 SHEET 1 OF 1 REV E