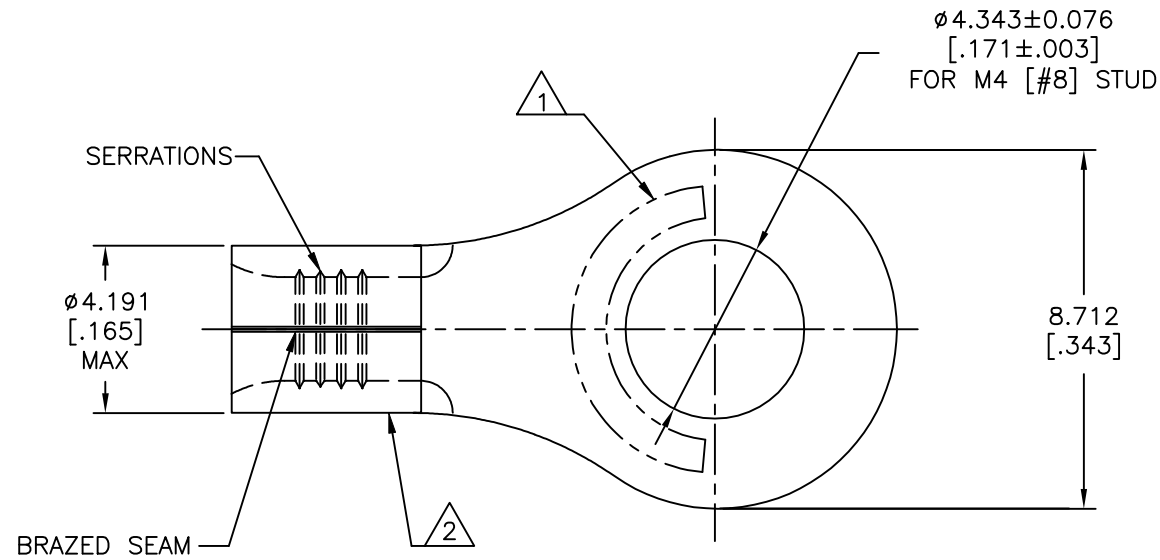


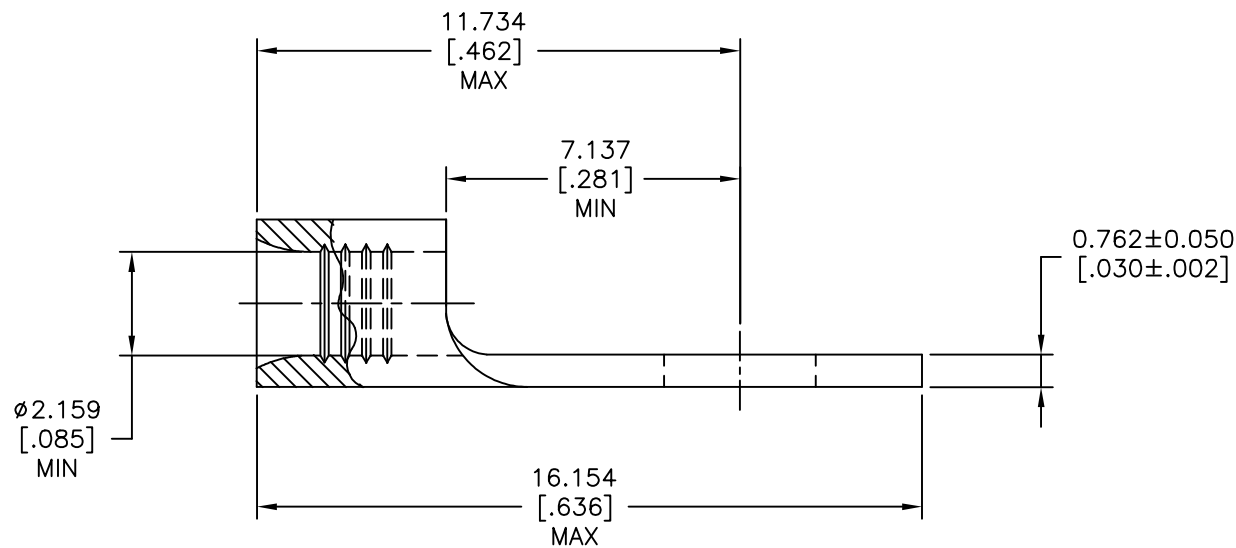
THIS DRAWING IS UNPUBLISHED. RELEASED FOR PUBLICATION
 © COPYRIGHT - By - ALL RIGHTS RESERVED.

REVISIONS				
P	LTR	DESCRIPTION	DATE	APVD
G1		REVISED PER ECO-16-013568	21SEP2016	NK DR
G2		REVISED PER ECO-17-008806	20FEB2018	RS DR



AMP WIRE RANGE	E13288 Listed
16-14 AWG SOLID OR STRANDED	NOT APPLICABLE
LR7189 Certified	MILITARY P/N AND CLASS
NOT APPLICABLE	NOT APPLICABLE

- STAMP AMP 16-14 APPROX AS SHOWN
- WIRE BARREL COLOR CODED ORANGE TO DENOTE NICKEL MATERIAL
- 3 NOTE DELETED



1000	LOOSE PIECE	322334
QTY.	PACKAGE TYPE	PART NUMBER

AMP INCORPORATED CUSTOMER SERVICE SYSTEMS	
FOR ADDITIONAL PRODUCT INFORMATION OR COPIES OF DRAWINGS AND TECHNICAL DOCUMENTS	PRODUCT INFORMATION CENTER 1-800-522-6752
FOR APPLICATION	TOOLING ASSISTANCE CENTER 1-800-722-1111
TOOLING INFORMATION	1-800-722-1111
FOR ORDER ENTRY	1-800-526-5142

THIS DRAWING IS A CONTROLLED DOCUMENT.	
DIMENSIONS: mm [INCHES]	TOLERANCES UNLESS OTHERWISE SPECIFIED:
	0 PLC ± -
	1 PLC ± -
	2 PLC ± -
	3 PLC ± .127[.005]
	4 PLC ± -
	ANGLES ± -
MATERIAL: NICKEL PER ASTM B-162 ANNEALED	FINISH: -

DWN TA BRINKMAN 4-15-93	TE Connectivity Ltd.
CHK DA PATTERSON 4-15-93	
APVD DE MILLER 4-15-93	
PRODUCT SPEC	NAME TERMINAL, RING TONGUE, HIGH TEMPERATURE, STRATO-THERM 16-14 AWG
APPLICATION SPEC	SIZE A2
WEIGHT	CAGE CODE 00779
CUSTOMER DRAWING	DRAWING NO C=322334
SCALE 8:1	RESTRICTED TO -
SHEET 1 of 1	REV G2