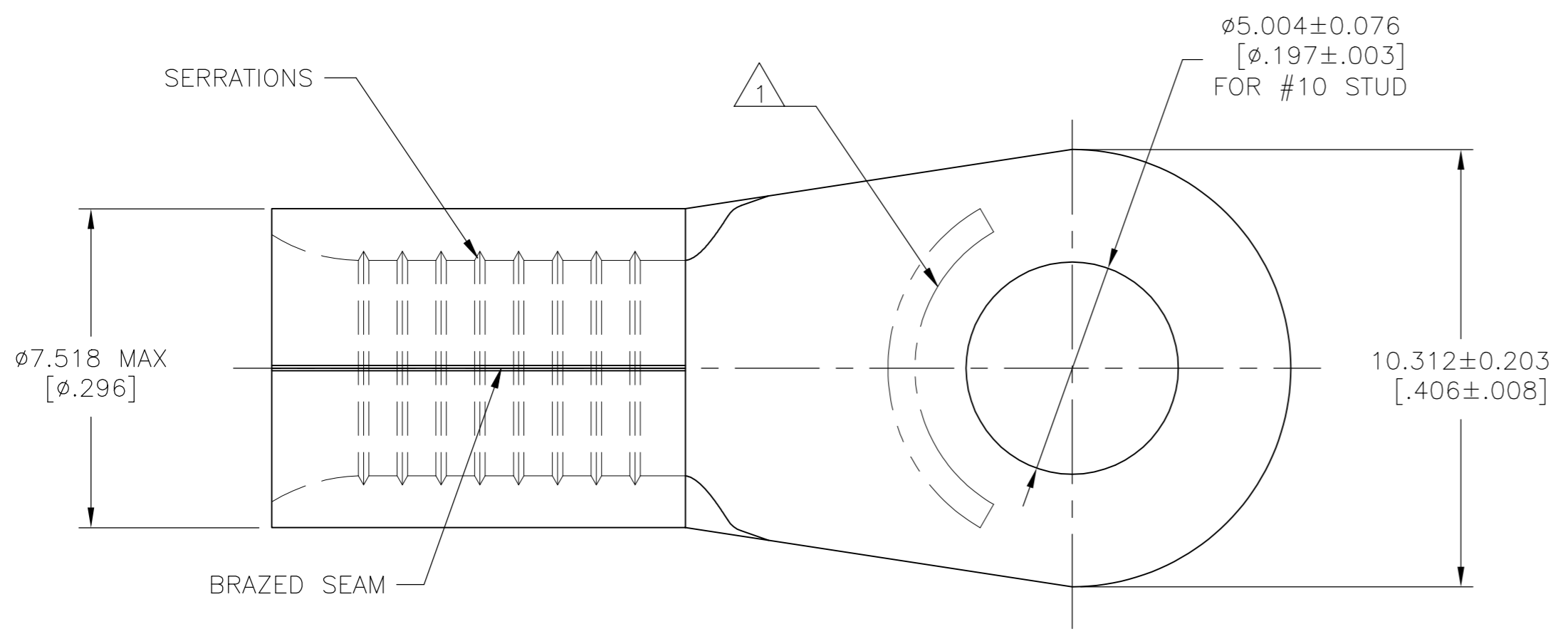


THIS DRAWING IS UNPUBLISHED.  
 RELEASED FOR PUBLICATION  
 ALL RIGHTS RESERVED.

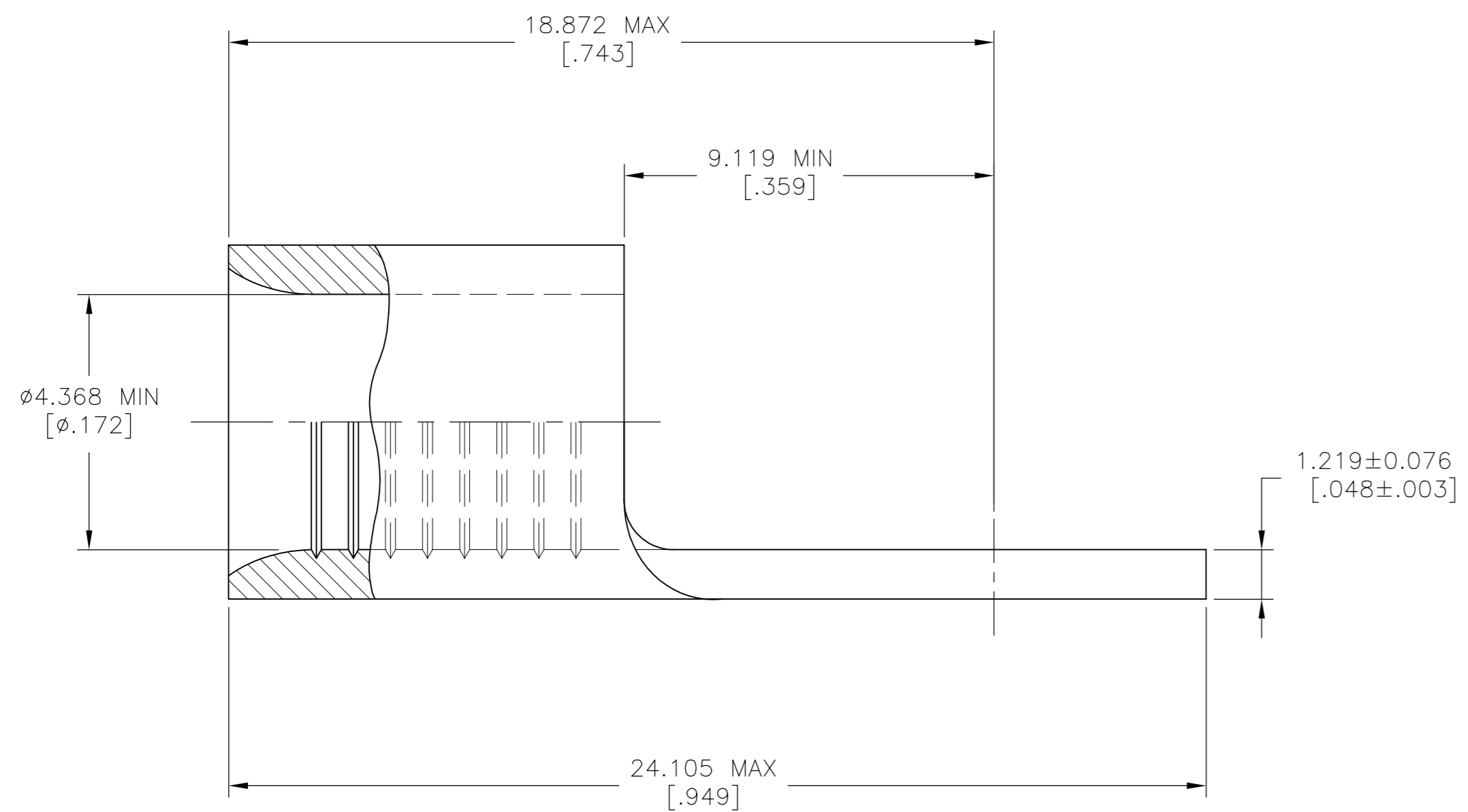
| REVISIONS |     |                           |           |     |      |
|-----------|-----|---------------------------|-----------|-----|------|
| P         | LTR | DESCRIPTION               | DATE      | DWN | APVD |
|           | C2  | REVISED PER ECO-11-004917 | 11MAR11   | RK  | HMR  |
|           | C3  | REVISED PER ECO-18-002105 | 27FEB2018 | RS  | DR   |



**AMP**  
WIRE RANGE

8 AWG  
SOLID OR STRANDED

- 1 STAMP AMP 8\* APPROX AS SHOWN
- 2 COPPER PR ASTM B-152, ANNEALED
- 3 NICKEL PLATE 0.00762 [.000300] MIN EXT THK PER SAE AMS QQ-N-290.



|             |          |              |          |
|-------------|----------|--------------|----------|
| PRELIMINARY | 2000     | BULK/BAG     | 323165-1 |
|             | 100      | LOOSE PIECE  | 323165   |
|             | QUANTITY | PACKAGE TYPE | PART NO  |

|   |  |                            |   |                      |  |
|---|--|----------------------------|---|----------------------|--|
| MAX RECOMMENDED OPERATING TEMPERATURE:<br>343°C[649°F] MAX              | THIS DRAWING IS A CONTROLLED DOCUMENT. |                            | DWN<br>TA BRINKMAN<br>4-19-93   | TE Connectivity Ltd. |  |
|   | VOLTAGE RATING:<br>N/A                 | DIMENSIONS:<br>mm [INCHES] | TOLERANCES UNLESS OTHERWISE SPECIFIED:<br>0 PLC ± -<br>1 PLC ± -<br>2 PLC ± -<br>3 PLC ± 0.127[.005]<br>4 PLC ± -<br>ANGLES ± - |                      |  |
| CIRCULAR MIL AREA:<br>6.64-10.50mm²[13,100-20,800]<br>SOLID OR STRANDED | MATERIAL<br>- 2                        | FINISH<br>- 3              | PRODUCT SPEC<br>108-32046<br>APPLICATION SPEC<br>114-2162   | NAME                 | TERMINAL, RING TONGUE,<br>HEAT RESISTANT,<br>STRATO-THERM, 8 AWG |
|   |  |                            | WEIGHT  | SIZE<br>A2           | CAGE CODE<br>00779<br>DRAWING NO<br>323165                       |
|   |  |                            | CUSTOMER DRAWING  | SCALE<br>8:1         | SHEET<br>1 of 1<br>REV<br>C3                                     |