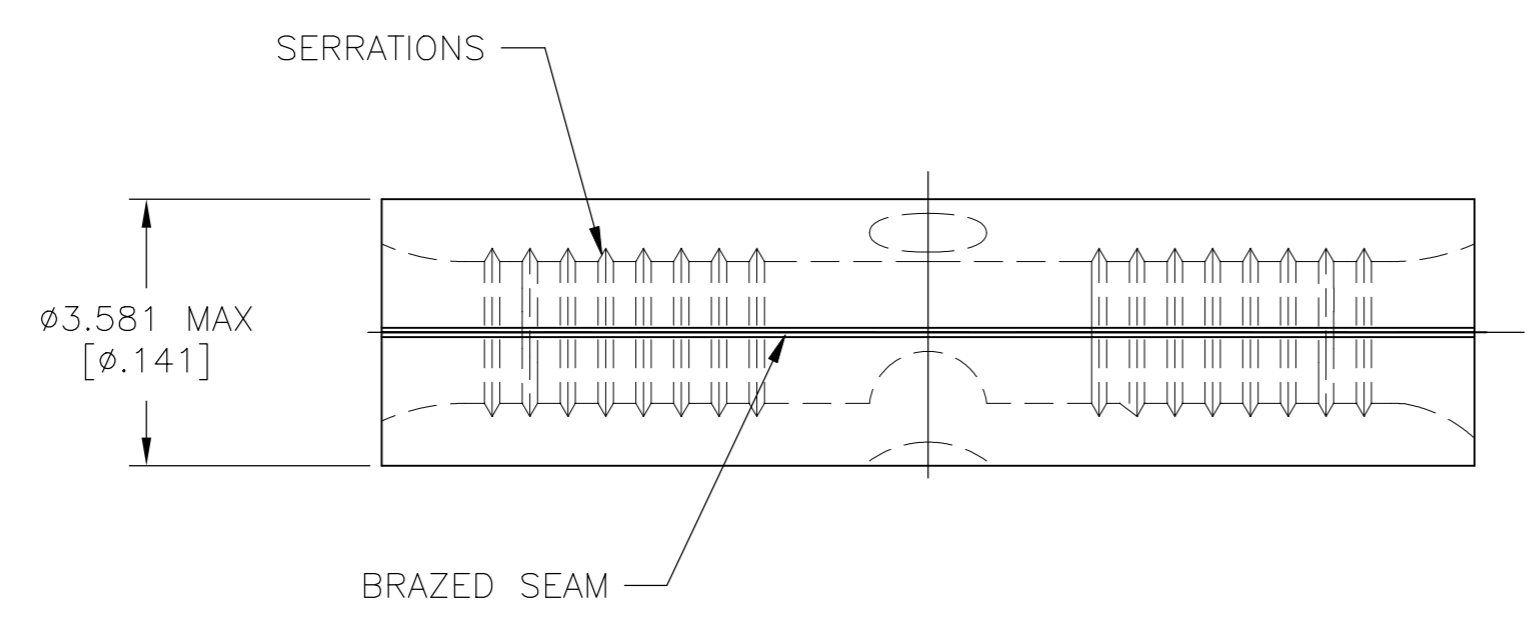


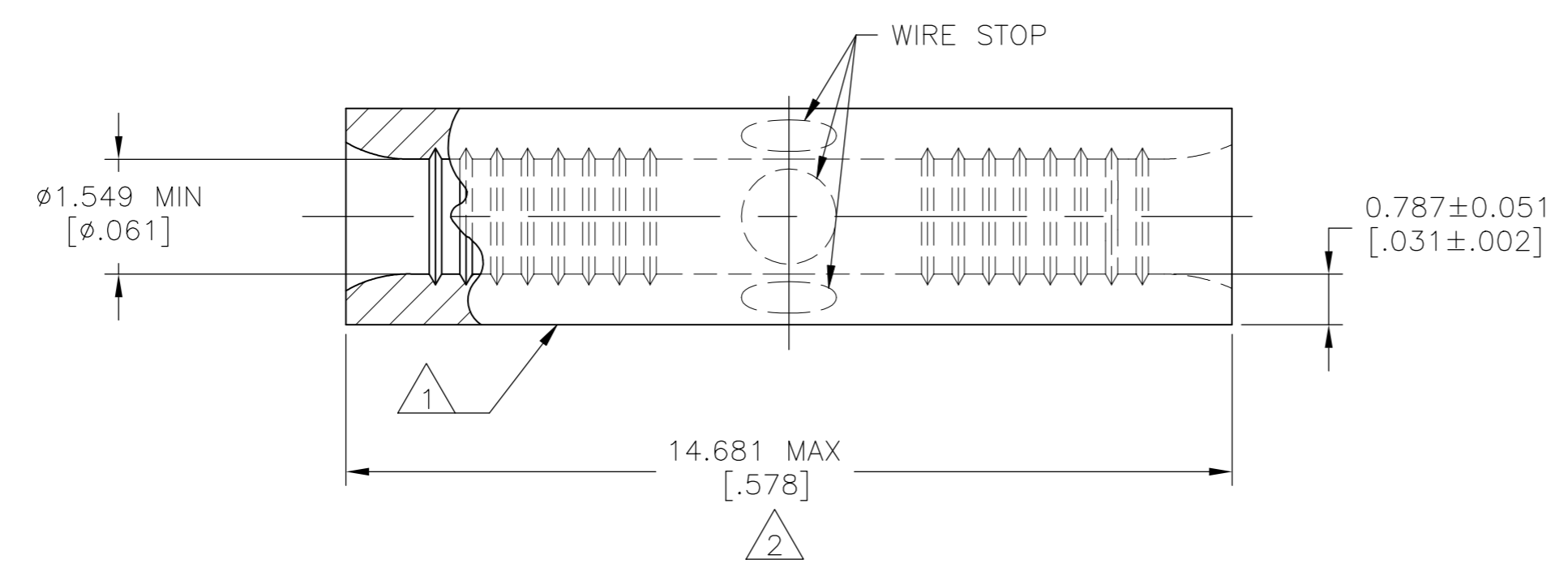
THIS DRAWING IS UNPUBLISHED. RELEASED FOR PUBLICATION  
 © COPYRIGHT - TE Connectivity Ltd. ALL RIGHTS RESERVED.

REVISIONS					
P	LTR	DESCRIPTION	DATE	DWN	APVD
E		ADDED -1 PER 0G3A-0179-99	28SEP99	-	JR
E1		REVISED PER ECO-17-008806	16FEB2018	RS	DR



<b>AMP</b> WIRE RANGE	E13288 Listed
22-16 AWG SOLID OR STRANDED	NOT APPLICABLE
LR7189 Certified	MILITARY P/N AND CLASS
NOT APPLICABLE	NOT APPLICABLE

- 1 STAMP AMP 22-18\* APPROX AS SHOWN  
22-16 TERMINALS ARE STAMPED 22-18 IN  
ACCORDANCE WITH MILITARY SPECIFICATION  
SAE AS7928, COMMERCIAL WIRE RANGE IS  
22-16
- 2 MAXIMUM LENGTH DOES NOT INCLUDE  
MANUFACTURING TABS
- 3 NOTE DELETED



1000	LOOSE PIECE	323796
QTY	PACKAGE TYPE	PART NUMBER

AMP INCORPORATED CUSTOMER SERVICE SYSTEMS			THIS DRAWING IS A CONTROLLED DOCUMENT.			DWN TA BRINKMAN 4-19-93 CHK DA PATTERSON 4-19-93 APVD DE MILLER 4-19-93			<b>STE</b> TE Connectivity Ltd.		
FOR ADDITIONAL PRODUCT INFORMATION OR COPIES OF DRAWINGS AND TECHNICAL DOCUMENTS	PRODUCT INFORMATION CENTER 1-800-522-6752	MAX RECOMMENDED OPERATING TEMPERATURE: 343°C [649°F] MAX	DIMENSIONS: mm [INCHES]	TOLERANCES UNLESS OTHERWISE SPECIFIED:		NAME			SPLICE, BUTT, STANDARD HEAT RESISTANT™ STRATO-THERM, 22-16 AWG		
FOR APPLICATION	TOOLING ASSISTANCE CENTER 1-800-722-1111	VOLTAGE RATING: NOT APPLICABLE		0 PLC ± - 1 PLC ± - 2 PLC ± - 3 PLC ± 0.127[.005] 4 PLC ± -	APPLICATION SPEC		SIZE			RESTRICTED TO	
TOOLING INFORMATION	1-800-722-1111	WIRE CROSS SECTIONAL AREA RANGE, 0.26-1.65mm²[509-3,260] CIR MILS SOLID OR STRANDED	MATERIAL COPPER PER ASTM B-152 ANNEALED	FINISH NICKEL PLATE 0.00762[.000300] MIN THK PER SAE AMS QQ-N-290		DRAWING NO			-		
FOR ORDER ENTRY	1-800-526-5142			WEIGHT		A2 00779 C-323796			SCALE 10:1 SHEET 1 OF 1 REV E1		
						CUSTOMER DRAWING					