

4

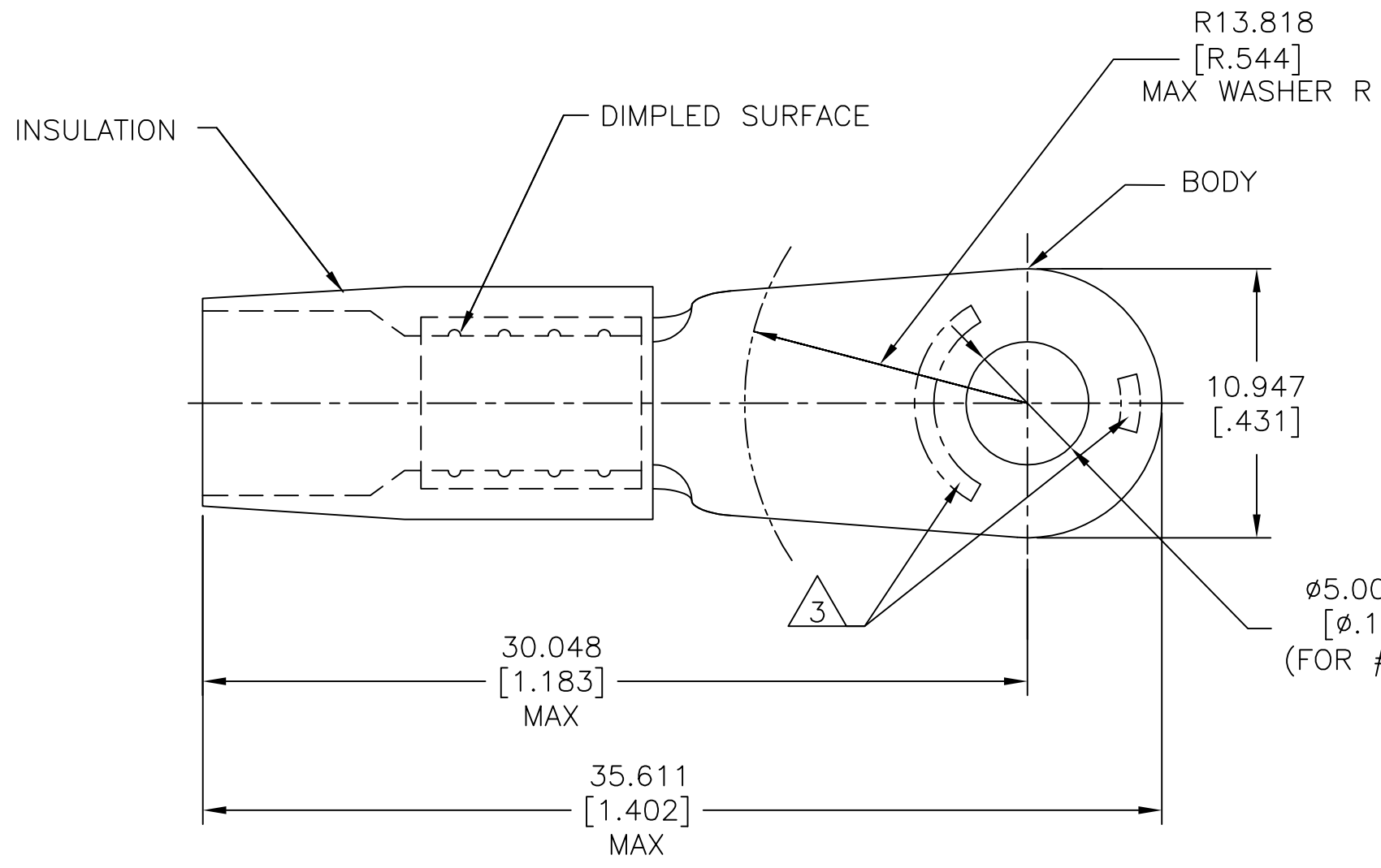
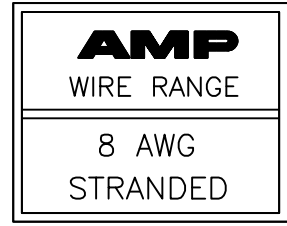
3

2

1

THIS DRAWING IS UNPUBLISHED. RELEASED FOR PUBLICATION
 © COPYRIGHT - By - ALL RIGHTS RESERVED.

REVISIONS					
P	LTR	DESCRIPTION	DATE	DWN	APVD
	J2	REVISED PER ECO-13-008676	23MAY13	KH	DR
	J3	REVISED PER ECO-17-014333	16OCT2017	RS	DR



- 1 BODY MATERIAL THK 0.991±0.051[.039±.002]
- 2 FOR ϕ 6.502[ϕ .256] MAX WIRE INS.
- 3 STAMP AMP 8* 14 APPROX AS SHOWN.

MS25036-115 CLASS 2	100	LOOSE PC	324043
MILITARY P/N AND CLASS	QTY	PACKAGE TYPE	PART NO

AMP INCORPORATED CUSTOMER SERVICE SYSTEMS		MAX RECOMMENDED OPERATING TEMPERATURE: 105°C[221°F]	THIS DRAWING IS A CONTROLLED DOCUMENT.		DWN S.S. GOULDEN 6-18-93	TE Connectivity NAME TERMINAL, RING TONGUE, TERMINYL WIRE SIZE: 8 AWG					
FOR ADDITIONAL PRODUCT INFORMATION OR COPIES OF DRAWINGS AND TECHNICAL DOCUMENTS	PRODUCT INFORMATION CENTER 1-800-522-6752	VOLTAGE RATING: -	DIMENSIONS: mm [INCHES]	TOLERANCES UNLESS OTHERWISE SPECIFIED:	CHK R. HERSEY 6-18-93					SAE AS7928	
FOR APPLICATION TOOLING INFORMATION	TOOLING ASSISTANCE CENTER 1-800-722-1111	CIRCULAR MIL AREA: 6.64-10.5mm ² [13.100-20.800] STRANDED		0 PLC ± - 1 PLC ± - 2 PLC ± - 3 PLC ± 0.127[.005] 4 PLC ± - ANGLES ± -	APVD B. BARE 6-18-93	PRODUCT SPEC	SIZE	CAGE CODE	DRAWING NO	RESTRICTED TO	
FOR ORDER ENTRY	1-800-526-5142	THIS DRAWING IS A CONTROLLED DOCUMENT FOR AMP INCORPORATED. IT IS SUBJECT TO CHANGE AND THE CONTROLLING ENGINEERING ORGANIZATION SHOULD BE CONTACTED FOR THE LATEST REVISION.		MATERIAL COPPER PER ASTM B-152 NYLON ASTM D4066 TYPE 1 COLOR: RED	FINISH TIN PLATE PER ASTM B545	WEIGHT -	APPLICATION SPEC	A3	00779	C=324043	-
CUSTOMER DRAWING						SCALE	NTS	SHEET	1 OF 1	REV	J3