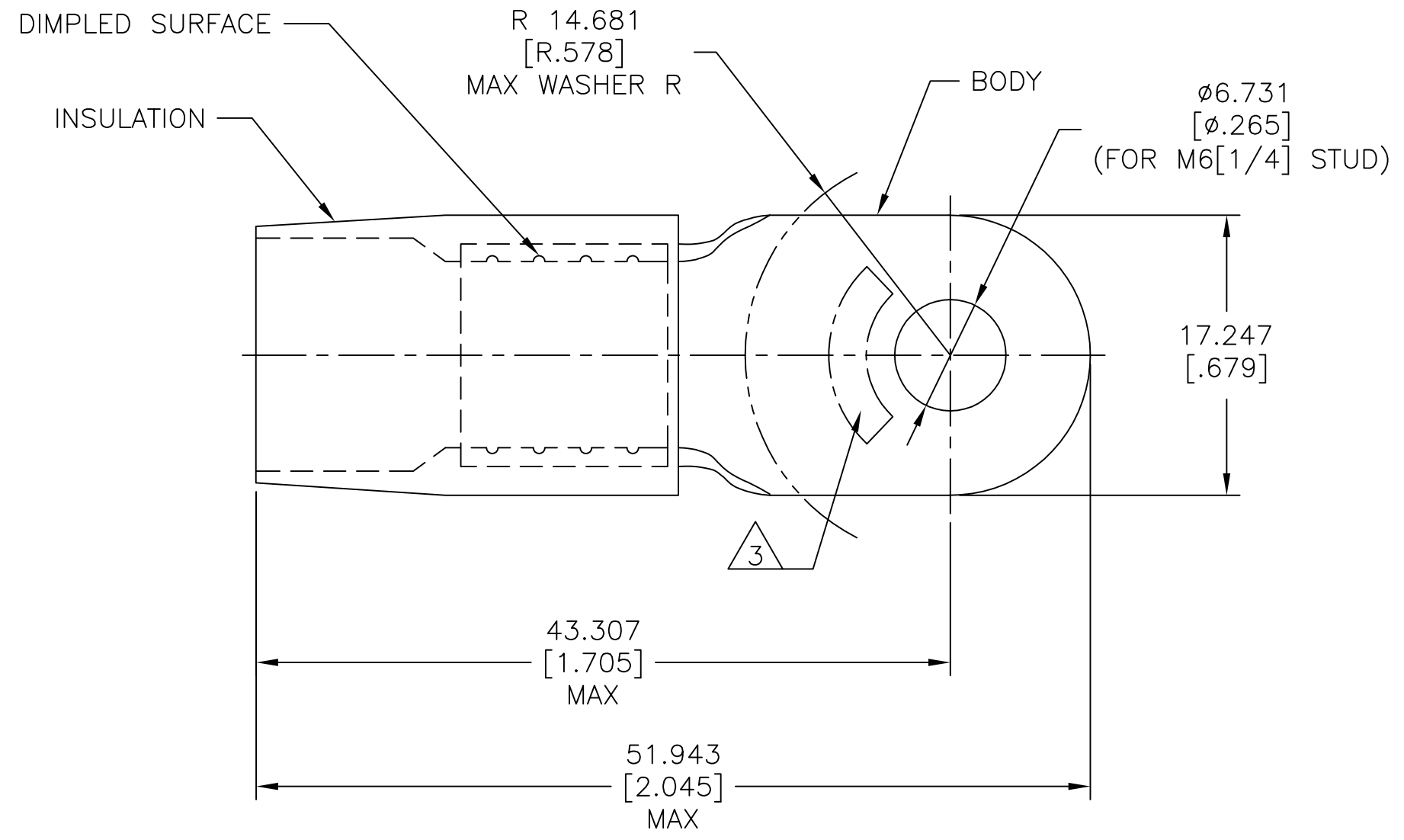
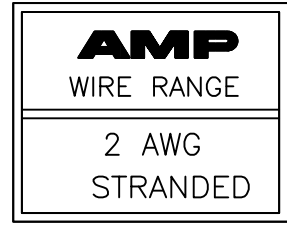


| REVISIONS | | | | | |
|-----------|-----|---------------------------|-----------|-----|------|
| P | LTR | DESCRIPTION | DATE | DWN | APVD |
| | J | EC 0720-0279-93 | 6-21-93 | SSG | BB |
| | J1 | REVISED PER ECO-17-014333 | 16OCT2017 | RS | DR |



- 1 BODY MATERIAL THK 1.448±0.051[.057±.002]
- 2 FOR Ø11.887[Ø.468] MAX WIRE INS.
- △ 3 STAMP AMP 2* APPROX AS SHOWN.

| | | | |
|------------------------|-----|--------------|---------|
| MS25036-126 CLASS 2 | 50 | LOOSE PC | 324053 |
| MILITARY P/N AND CLASS | QTY | PACKAGE TYPE | PART NO |

| | | | | | | | | | |
|--|--|---|--|---|--|--|--|--|--|
| AMP INCORPORATED CUSTOMER SERVICE SYSTEMS | | MAX RECOMMENDED OPERATING TEMPERATURE: 105°C[221°F] | THIS DRAWING IS A CONTROLLED DOCUMENT. | | DWN S.S. GOULDEN 6-21-93 | TE Connectivity NAME TERMINAL, RING TONGUE, TERMINYL WIRE SIZE: 2 AWG | | | |
| FOR ADDITIONAL PRODUCT INFORMATION OR COPIES OF DRAWINGS AND TECHNICAL DOCUMENTS | PRODUCT INFORMATION CENTER 1-800-522-6752 | VOLTAGE RATING: - | DIMENSIONS: mm [INCHES] | TOLERANCES UNLESS OTHERWISE SPECIFIED: | CHK R. HERSEY 6-21-93 | | | | |
| FOR APPLICATION TOOLING INFORMATION | TOOLING ASSISTANCE CENTER 1-800-722-1111 | CIRCULAR MIL AREA: 26.7-42.4mm²[52,600-83,700] STRANDED | | 0 PLC ± - | APVD B. BARE 6-21-93 | SIZE CAGE CODE DRAWING NO RESTRICTED TO A3 00779 C-324053 | | | |
| FOR ORDER ENTRY | 1-800-526-5142 | THIS DRAWING IS A CONTROLLED DOCUMENT FOR AMP INCORPORATED. IT IS SUBJECT TO CHANGE AND THE CONTROLLING ENGINEERING ORGANIZATION SHOULD BE CONTACTED FOR THE LATEST REVISION. | | MATERIAL BODY: COPPER PER ASTM B-152 INSULATION: NYLON ASTM D4066 TYPE I | 1 PLC ± - 2 PLC ± - 3 PLC ± 0.127[.005] 4 PLC ± - ANGLES ± - | | | | |
| | | | | FINISH BODY: TIN PLATE PER ASTM B545 INSULATION: COLOR-RED | APPLICATION SPEC - | SCALE NTS SHEET 1 OF 1 REV J1 | | | |