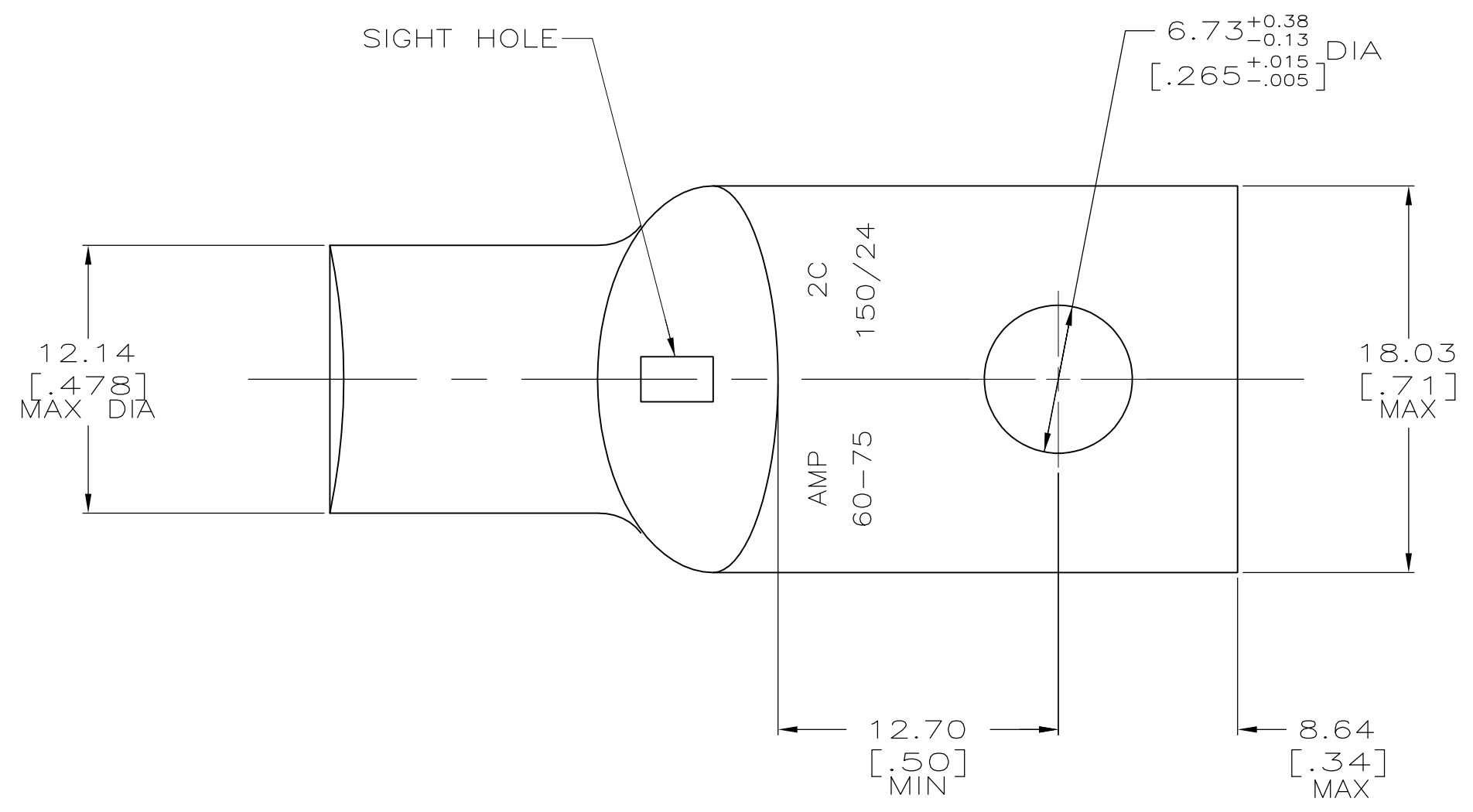
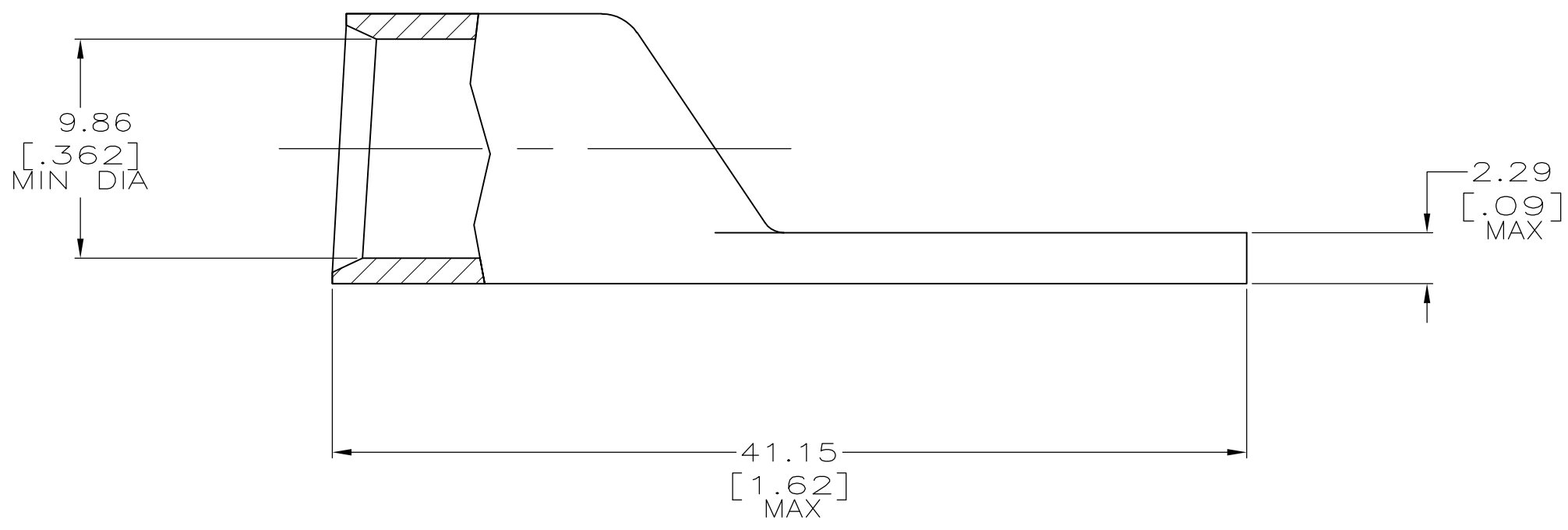


THIS DRAWING IS UNPUBLISHED. RELEASED FOR PUBLICATION
 © COPYRIGHT - By - ALL RIGHTS RESERVED.

LOC	DIST	REVISIONS			
P	LTR	DESCRIPTION	DATE	OWN	APVD
G	86	V2	REVISED PER ECO-11-004917	11MAR11	RK HMR



1 CIRCULAR MIL AREA RANGE: 52,600-83,700 CM
 2 TIN PL 0.00381[.000150] MIN THK PER MIL-T-10727



325201
PART NO.

THIS DRAWING IS A CONTROLLED DOCUMENT.		DWN DK SCHRUM 04/05/90	TE Connectivity	
DIMENSIONS: mm[INCHES]		CHK MS FEHER 18JAN95		
TOLERANCES UNLESS OTHERWISE SPECIFIED:		APVD TL SHUTTER 18JAN95	NAME TERMINAL, AMPPOWER, WIRE SIZE: 2 AWG	
0 PLC ± - 1 PLC ± - 2 PLC ± 0.51[.020] 3 PLC ± - 4 PLC ± - ANGLES ± ± -		PRODUCT SPEC 108-30200	SIZE A2	
MATERIAL ANNEALED COPPER ASTM B-75		FINISH 2	APPLICATION SPEC -	DRAWING NO 00779
		WEIGHT .026 LB	CAGE CODE G-325201	RESTRICTED TO -
		CUSTOMER DRAWING		SCALE 4:1 SHEET 1 of 1 REV V2