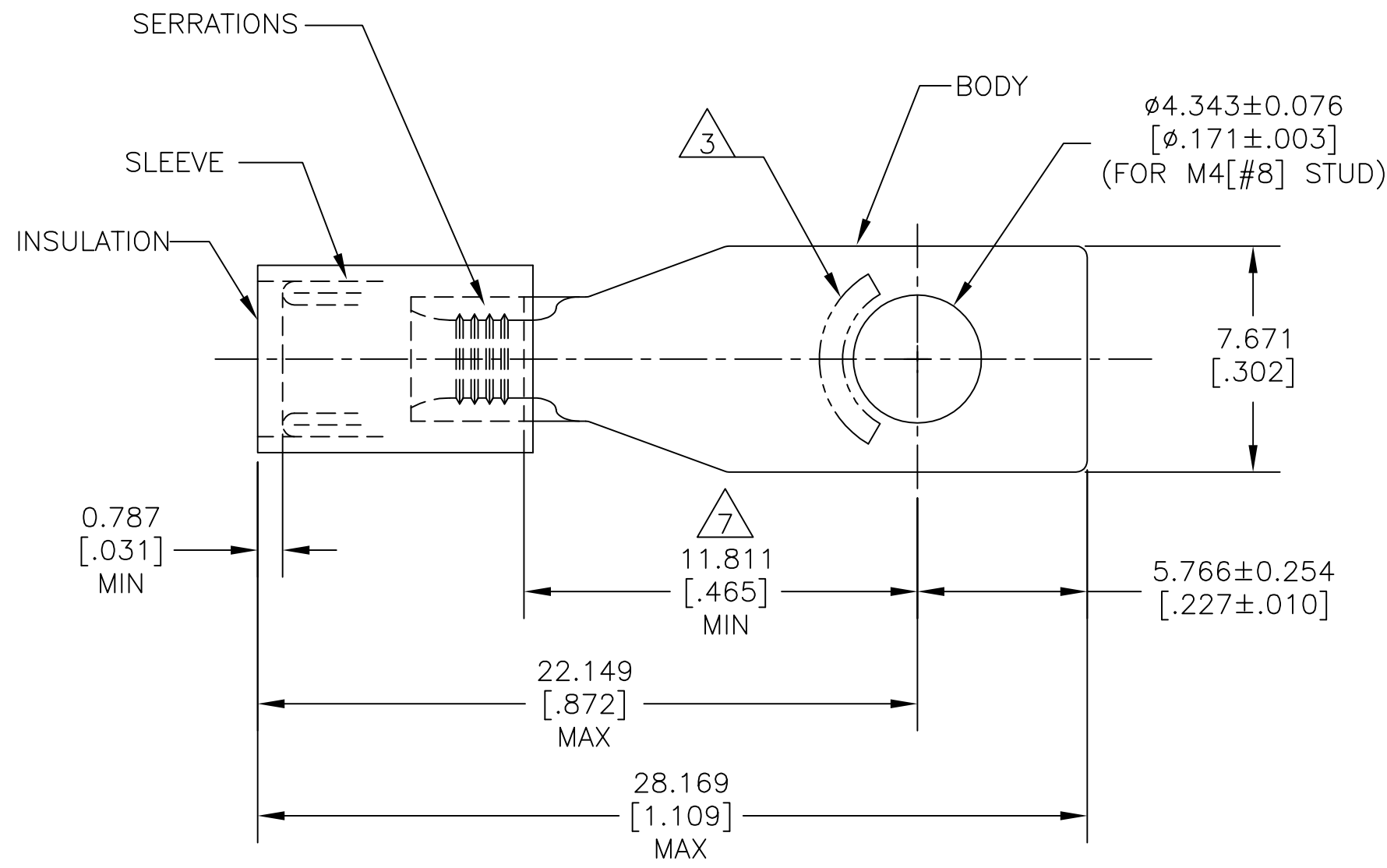


REVISIONS					
P	LTR	DESCRIPTION	DATE	DWN	APVD
	K3	REVISED PER ECR-09-026553	04DEC09	JR	TM
	K4	REVISED PER ECO-17-007400	29NOV2017	RS	DR



AMP WIRE RANGE	E13288 Listed	LR7189 Certified
22-16 AWG SOLID OR STRANDED	22-16 AWG SOLID OR STRANDED	22-16 AWG SOLID OR STRANDED

- 1 NOTE DELETED.
- 2 BODY MATERIAL THK=0.787±0.051[.031±.002]
- 3 STAMP AMP 22-18* APPROX AS SHOWN. 22-16 TERMINALS ARE STAMPED 22-18 IN ACCORDANCE WITH MILITARY SPEC SAE AS 7928. COMMERCIAL WIRE RANGE IS 22-16.
- 4 MEETS MS17143-7, CLASS 1 & 2.
- 5 NOTE DELETED.
- 6 FOR ø2.667[ø.105] TO ø3.556[ø.140] WIRE INS.
- 7 APPLIES FROM EDGE OF METAL WIRE BARREL TO CENTER OF STUD HOLE.
- 8 MATERIAL:
BODY & SLEEVE: COPPER ASTM B-152
INSULATION: NYLON.
- 9 FINISH:
BODY & SLEEVE: TIN PLATED ASTM B-545
INSULATION: COLOR-RED.

1000	LOOSE PIECE	327944	
QTY	PACKAGE TYPE	PART NO	

AMP INCORPORATED
 CUSTOMER SERVICE SYSTEMS

THIS DRAWING IS A CONTROLLED DOCUMENT.

DWN	09JUN08	RAGHAVENDRA HM
CHK	09JUN08	T MICHIELUTTI
APVD	09JUN08	T MICHIELUTTI
PRODUCT SPEC	UL 486 A-B	
APPLICATION SPEC	114-2157	
WEIGHT	-	



NAME				WIRE TERMINAL, PIDG, RECTANGULAR TONGUE WIRE SIZE : 22-16 AWG			
SIZE	CAGE CODE	DRAWING NO	RESTRICTED TO				
A3	00779	C=327944	-				

FOR ADDITIONAL PRODUCT INFORMATION OR COPIES OF DRAWINGS AND TECHNICAL DOCUMENTS	PRODUCT INFORMATION CENTER 1-800-522-6752	MAX RECOMMENDED OPERATING TEMPERATURE: 105°C[221°F] MAX
FOR APPLICATION TOOLING INFORMATION	TOOLING ASSISTANCE CENTER 1-800-722-1111	
FOR ORDER ENTRY	1-800-526-5142	VOLTAGE RATING: 300 V MAX
		WIRE CROSS SECTIONAL AREA RANGE, 0.26-1.65mm²[509-3,260] SOLID OR STRANDED

DIMENSIONS: mm [INCHES]	TOLERANCES UNLESS OTHERWISE SPECIFIED:
	0 PLC ± -
	1 PLC ± -
	2 PLC ± -
	3 PLC ± 0.127[.005]
	4 PLC ± -
	ANGLES ± 5°
MATERIAL	FINISH