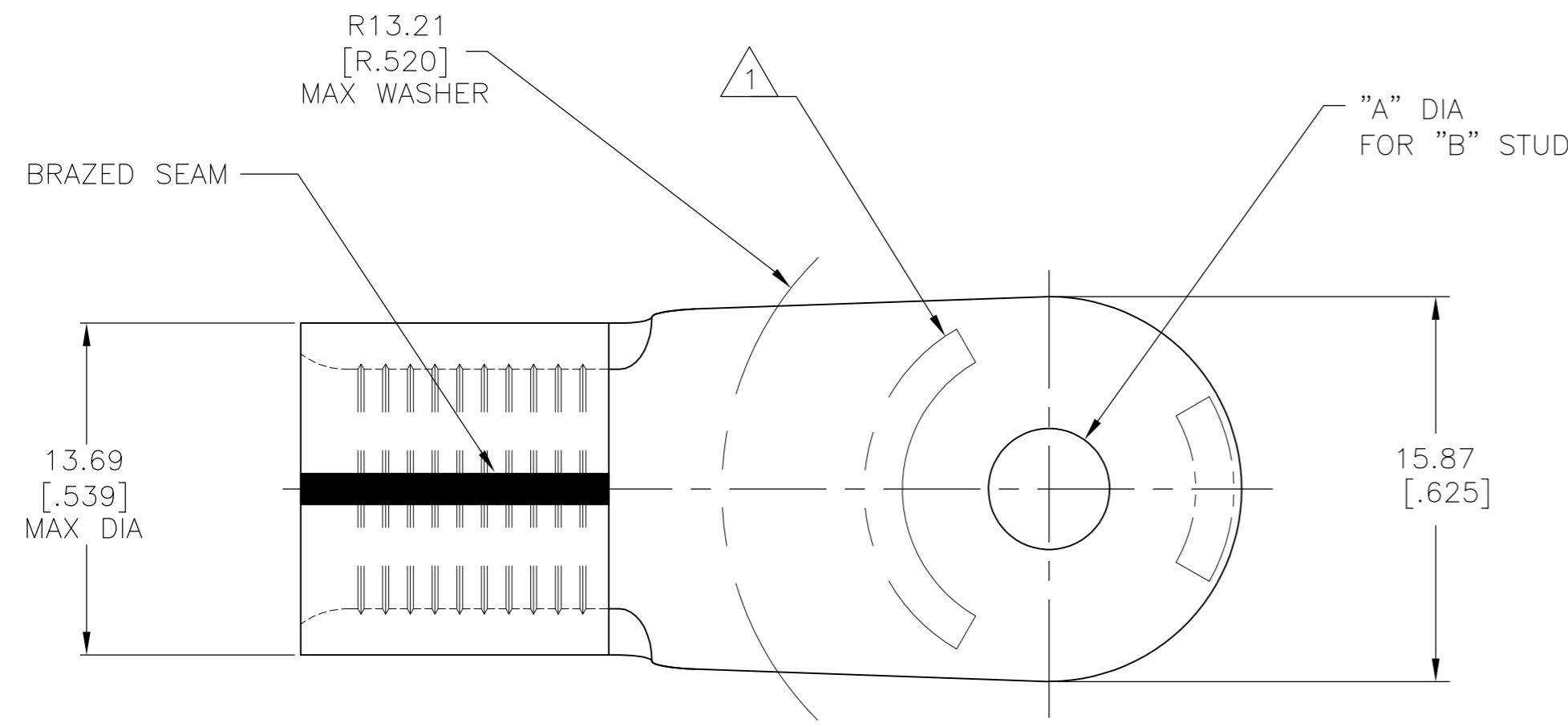


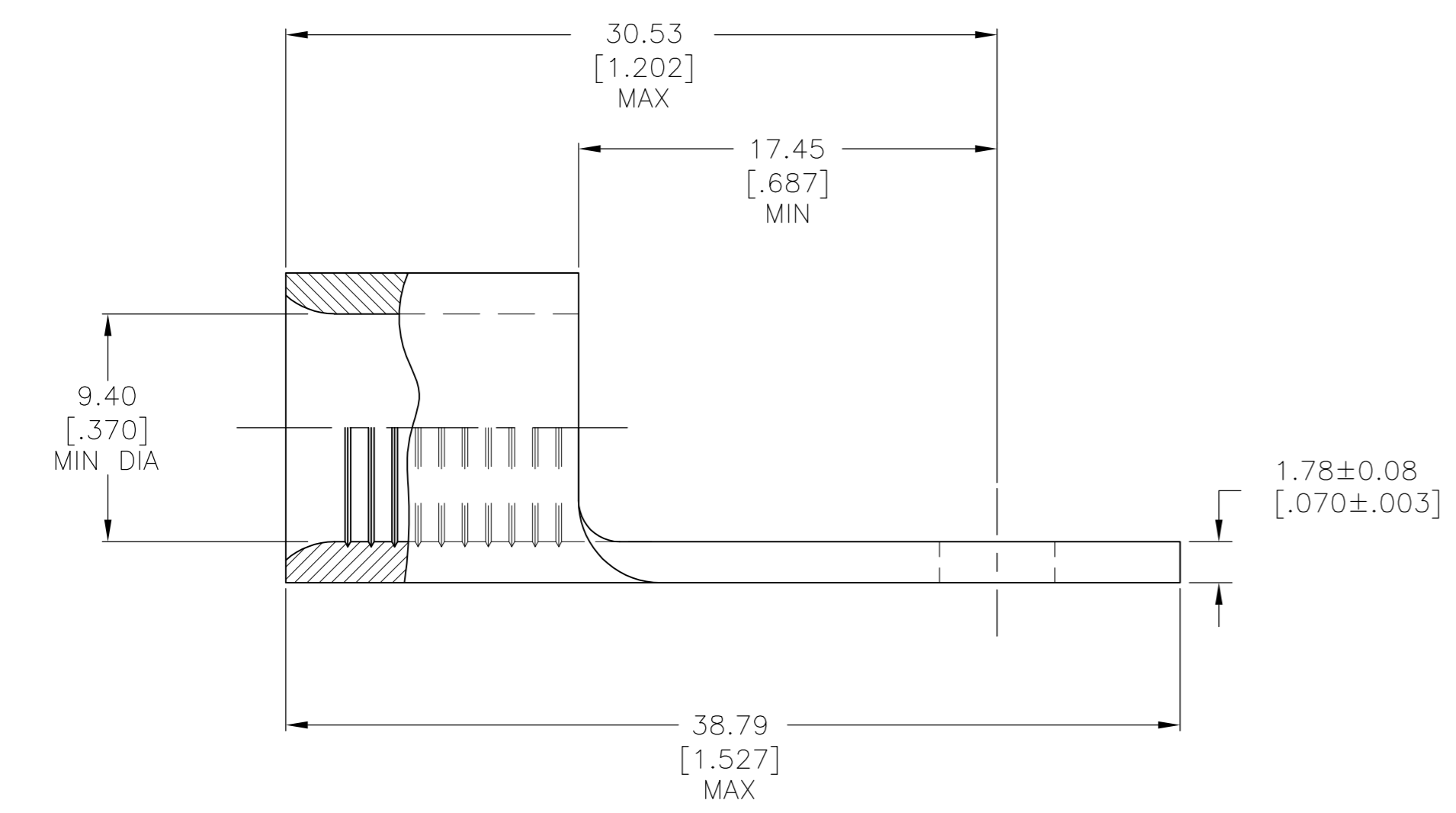
THIS DRAWING IS UNPUBLISHED. RELEASED FOR PUBLICATION
 © COPYRIGHT - By - ALL RIGHTS RESERVED.

LOC	DIST	REVISIONS					
		P	LTR	DESCRIPTION	DATE	DWN	APVD
G	14						
		C3		REVISED PER ECO-15-006978	06JUN2015	NK	MM



AMP WIRE RANGE	E13288 Listed
2 AWG SOLID OR STRANDED	2 AWG STRANDED
LR7189 Certified	MILITARY P/N AND CLASS
2 AWG SOLID OR STRANDED	MS 20659-146 CLASS 2

- STAMP AMP 2W* 60-75 APPROX AS SHOWN.
- TIN PLATE 0.00254[.000100] MIN EXT THK PER ASTM B545.
- GOLD PLATE 0.00127[.000050] MIN THK PER MIL-DTL-45204 OVER NICKEL PLATE 0.00076[.000030] MIN THK PER SAE AMS QQ-N-290.
- TIN PLATE 0.00254[.000100]MIN EXT THK (WHISKER MITIGATED, LEAD FREE) PER ASTM B545.



M5	5.20±0.08 [.205±.003]	170°C [338°F] MAX		330301-3
#10	5.00±0.08 [.197±.003]	260°C [500°F] MAX		330301-2
		170°C [338°F] MAX		330301
"B" STUD	"A" DIA	TEMPERATURE RATING	FINISH	PART NO

AMP INCORPORATED
CUSTOMER SERVICE SYSTEMS

FOR ADDITIONAL PRODUCT INFORMATION OR COPIES OF DRAWINGS AND TECHNICAL DOCUMENTS	PRODUCT INFORMATION CENTER 1-800-522-6752	MAX RECOMMENDED OPERATING TEMPERATURE: SEE TABLE
FOR APPLICATION TOOLING INFORMATION	TOOLING ASSISTANCE CENTER 1-800-722-1111	VOLTAGE RATING: NOT APPLICABLE
FOR ORDER ENTRY	1-800-526-5142	CIRCULAR MIL AREA: 26.7-42.4mm² [52,600-83,700]CIR MILS SOLID OR STRANDED

THIS DRAWING IS A CONTROLLED DOCUMENT.		DWN DK SCHRUM 04AUG94	TE Connectivity	
DIMENSIONS: mm [INCHES]	TOLERANCES UNLESS OTHERWISE SPECIFIED:	CHK AJ KAUFMAN 08AUG94	NAME RE ROSER 08AUG94	
	0 PLC ± - 1 PLC ± - 2 PLC ± 0.20[.008] 3 PLC ± - 4 PLC ± - ANGLES ± ±	APVD RE ROSER 08AUG94	PRODUCT SPEC	
MATERIAL COPPER PER ASTM B-152 ANNEALED	FINISH SEE TABLE	APPLICATION SPEC	SIZE A2	CAGE CODE 00779
CUSTOMER DRAWING		WEIGHT -	DRAWING NO C=330301	RESTRICTED TO -
		SCALE 4:1	SHEET 1 of 1	REV C3