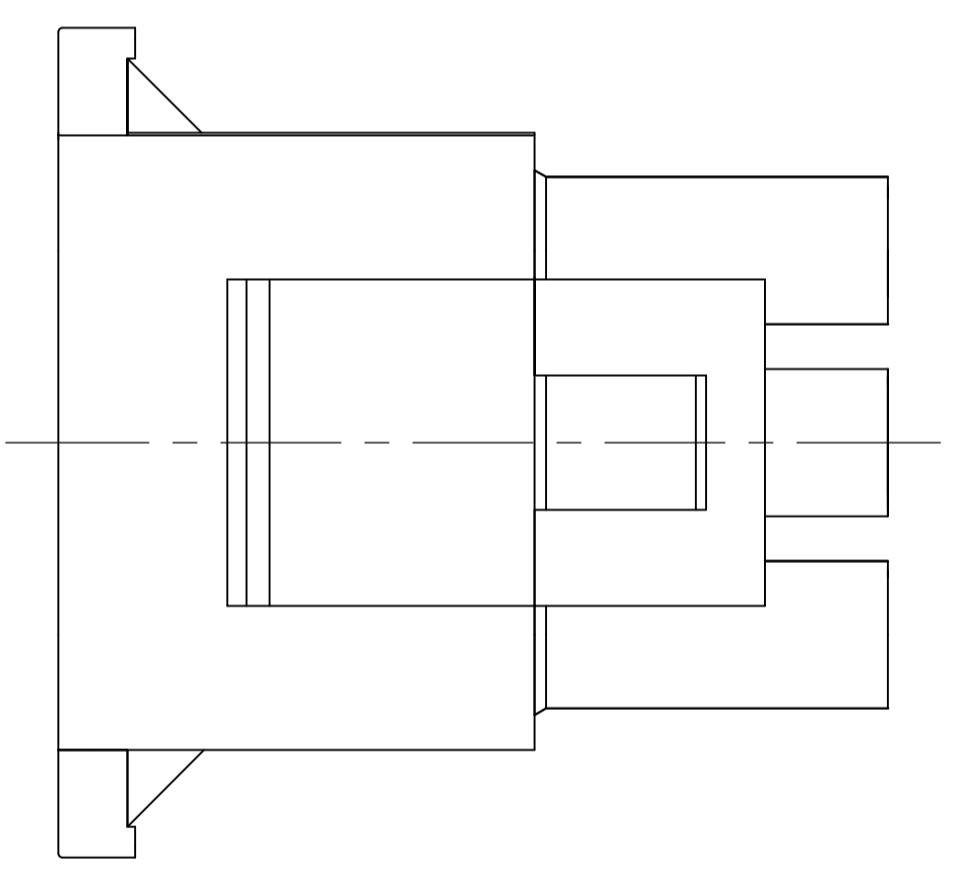
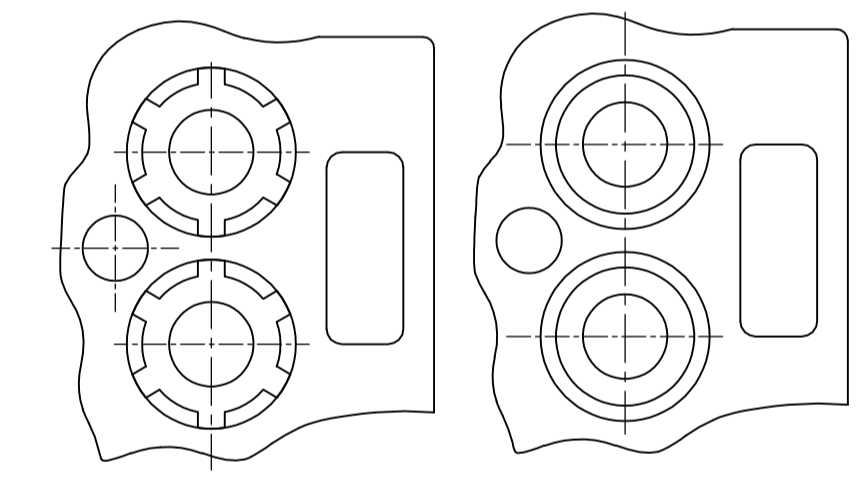
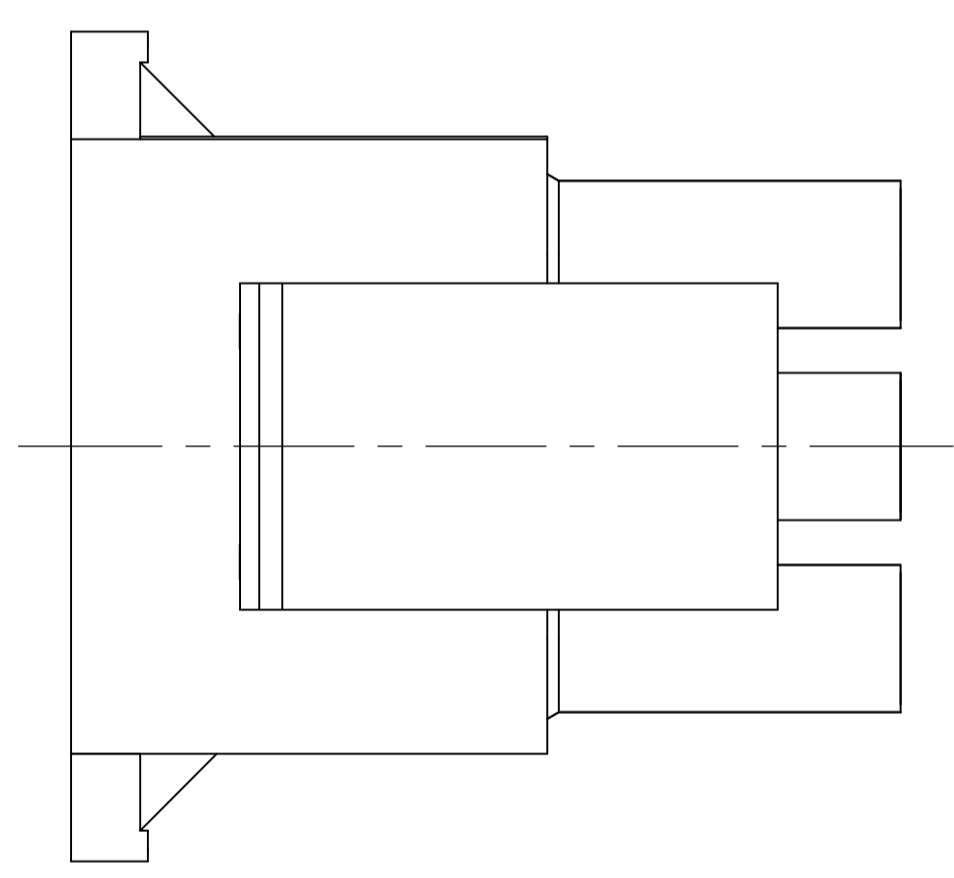


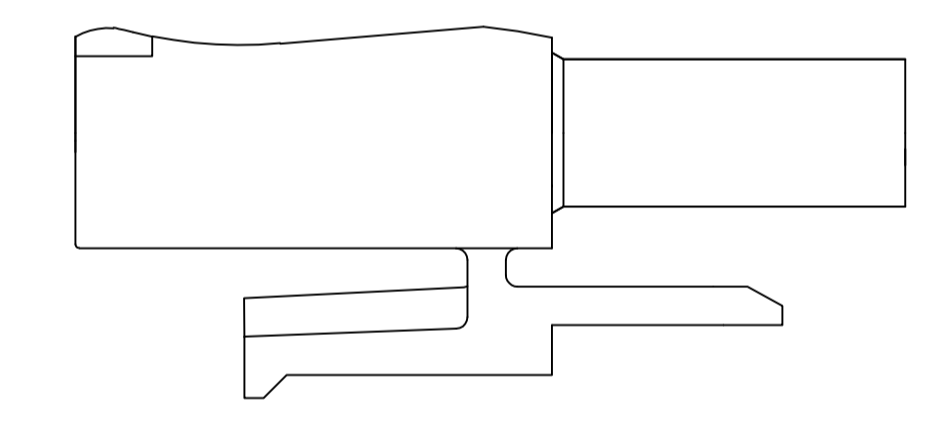
- MATES WITH APPROPRIATE UNIVERSAL MATE-N-LOK™ CAP OR HEADER.
  - SMALL NICKS ARE PERMITTED ON THE CIRCUIT TOWERS WHICH COULD INCREASE THE INITIAL HOUSING MATING FORCE BY UP TO 4.4 NEWTONS [1.0] LBS. NO INDIVIDUAL NICKED TOWER SHALL INCREASE THIS FORCE BY OVER 2.2 NEWTONS [.5] LBS.
  - DIMENSIONS SHOWN REPRESENT PRODUCT IN DRY, AS MOLDED, CONDITION. ADDITIONAL 2% GROWTH DUE TO SUBSEQUENT MOISTURE ABSORPTION MAY OCCUR AND SHOULD BE ACCOUNTED FOR.
- △4 FOUR RIBS EQUALLY SPACED, NO SPECIFIC ORIENTATION, NO RIBS OR SIX RIBS EQUALLY SPACED, NO SPECIFIC ORIENTATION, OPTIONAL.
- △5 NOT MANUFACTURED IN U.S.
- △6 UNDERWRITERS RECOGNIZED COMPONENT LOGO AND CSA CERTIFICATION LOGO TO BE LOCATED ONCE ON EACH SIDE OF HOUSING..



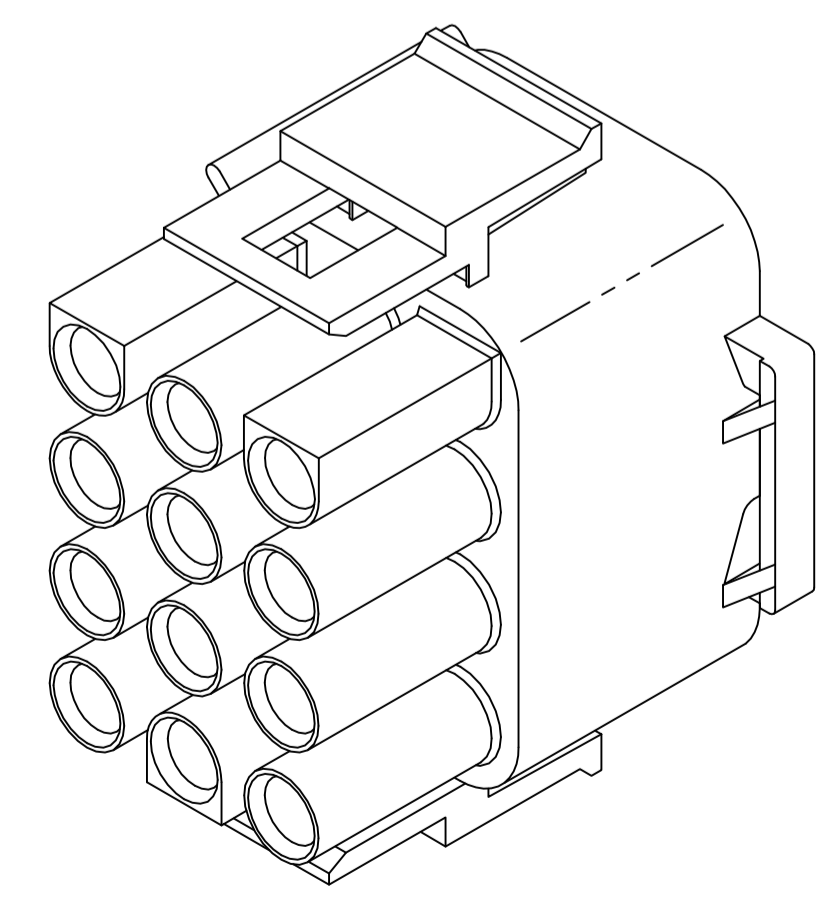
VIEW A-A  
350735-4 ONLY



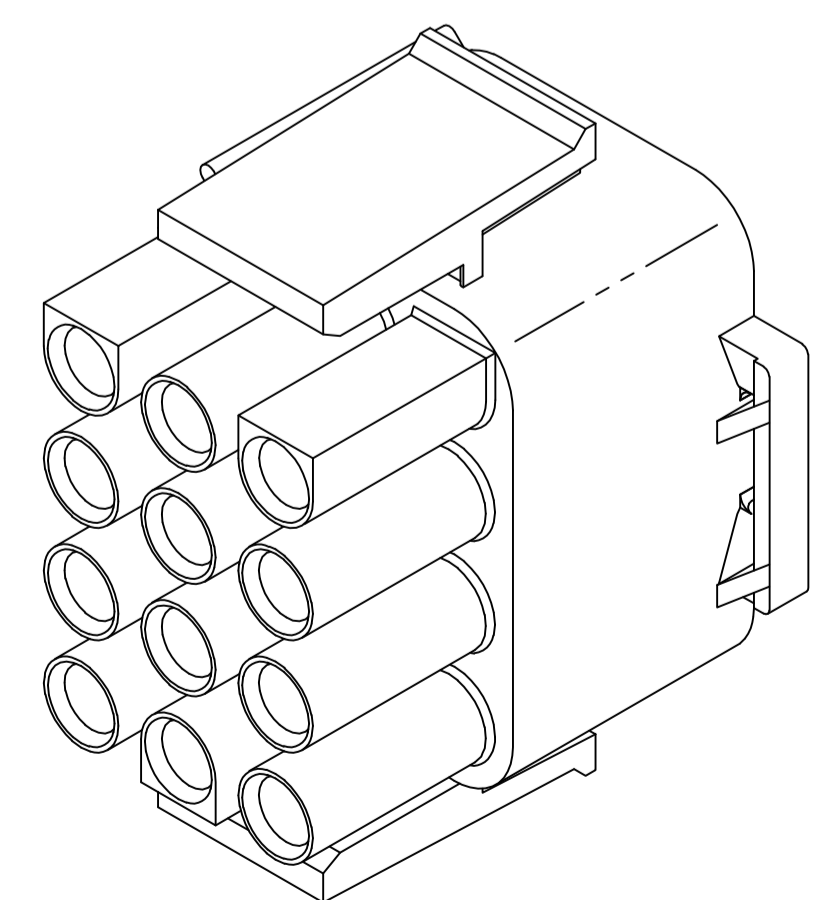
DETAIL A  
OPTIONAL CONSTRUCTION



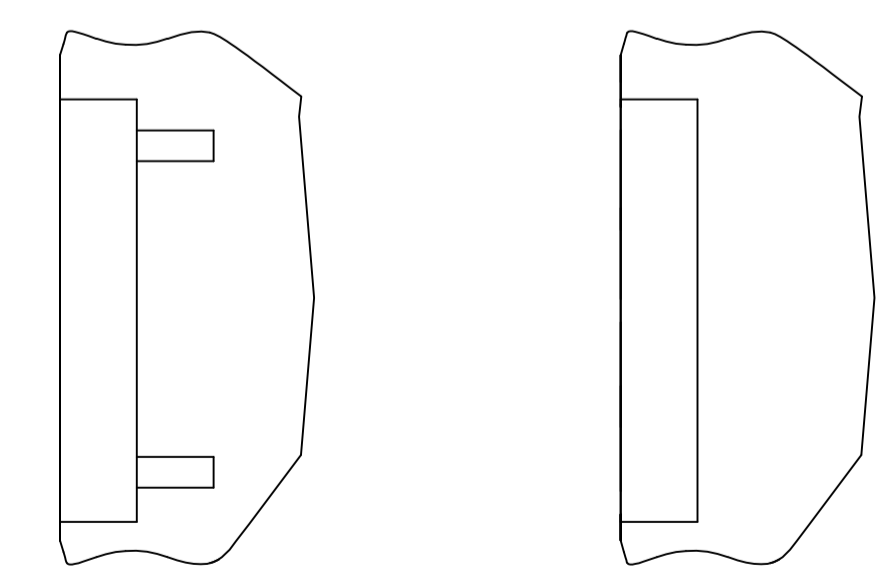
DETAIL B  
350735-4 ONLY



350735-4 3-DIMENSIONAL MODEL  
NOT TO SCALE



3-DIMENSIONAL MODEL  
NOT TO SCALE



DETAIL C  
OPTIONAL CONSTRUCTION

27.43	1.080
26.67	1.050
20.32	.800
11.68	.460
0.38	.015
0.13	.005
MM	IN

CONVERSION TABLE

BLACK	1-350735-9
GRAY	1-350735-8
BLUE	1-350735-6
GREEN	1-350735-5
YELLOW	1-350735-4
ORANGE	1-350735-3
RED	1-350735-2
BROWN	1-350735-1
SUPERCEDED BY 1-350735-2	
△ NATURAL	350735-4
NATURAL	350735-1
COLOR	PART NUMBER

THIS DRAWING IS A CONTROLLED DOCUMENT.

DIMENSIONS:	TOLERANCES UNLESS OTHERWISE SPECIFIED:	DWN	K. WHITAKER	23FEB06
mm	0. PLC ± -	CHK	S. RIDGILL	23FEB06
	1. PLC ± -	APVD	S. RIDGILL	23FEB06
	2. PLC ± 0.13	NAME	PLUG, 12 CIRCUIT, UNIVERSAL MATE-N-LOK(TM)	
	3. PLC ± -	PRODUCT SPEC	108-1031	
	4. PLC ± -	APPLICATION SPEC	114-1010	
	ANGLES ± °'30"	SIZE	CAGE CODE	DRAWING NO
MATERIAL	FINISH	WEIGHT	A1	00779
NYLON,UL 94V-0	-	CUSTOMER DRAWING	SCALE	4:1

STE TE Connectivity

RESTRICTED TO: 1 of 1 SHEET REV W4