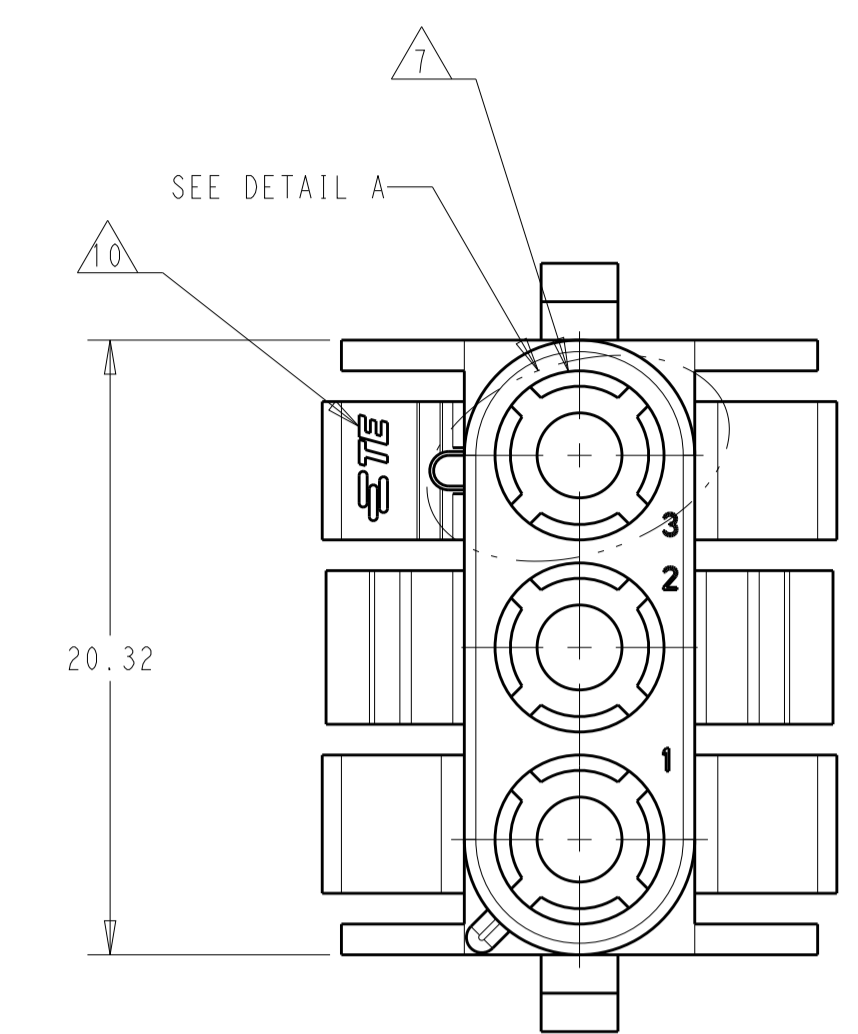
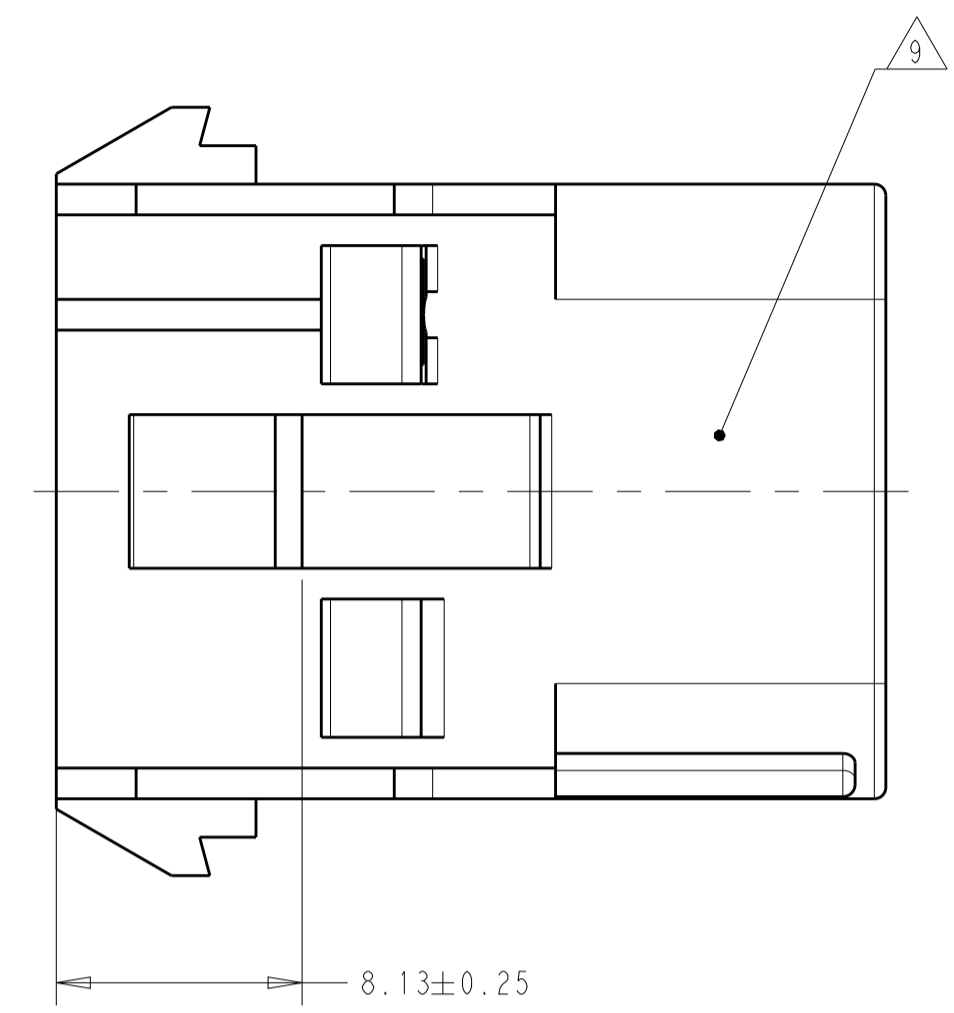
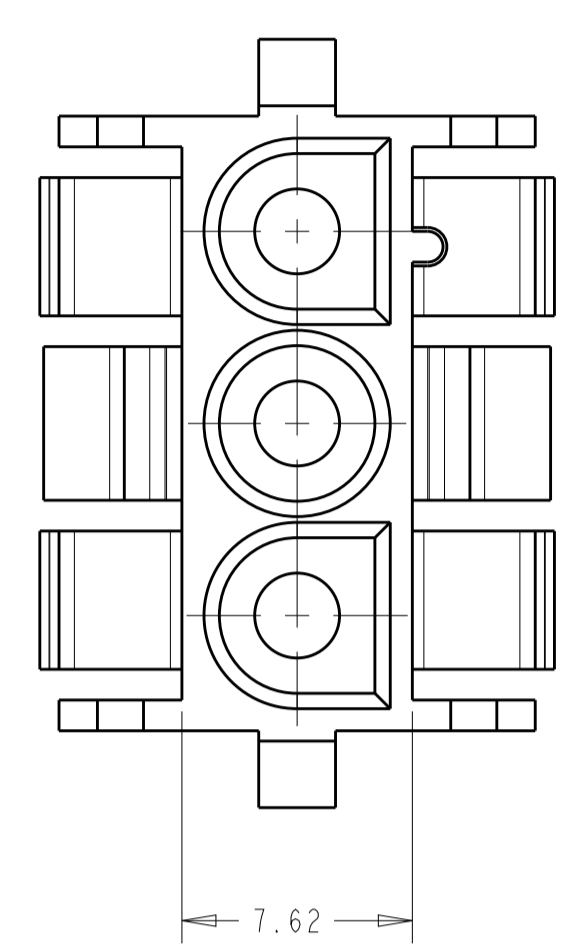
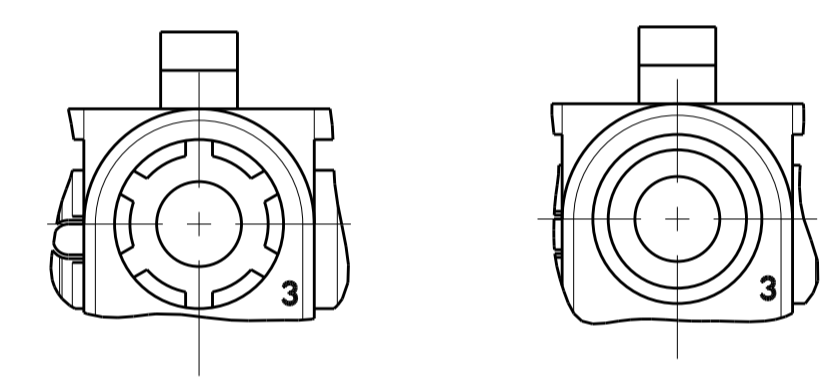


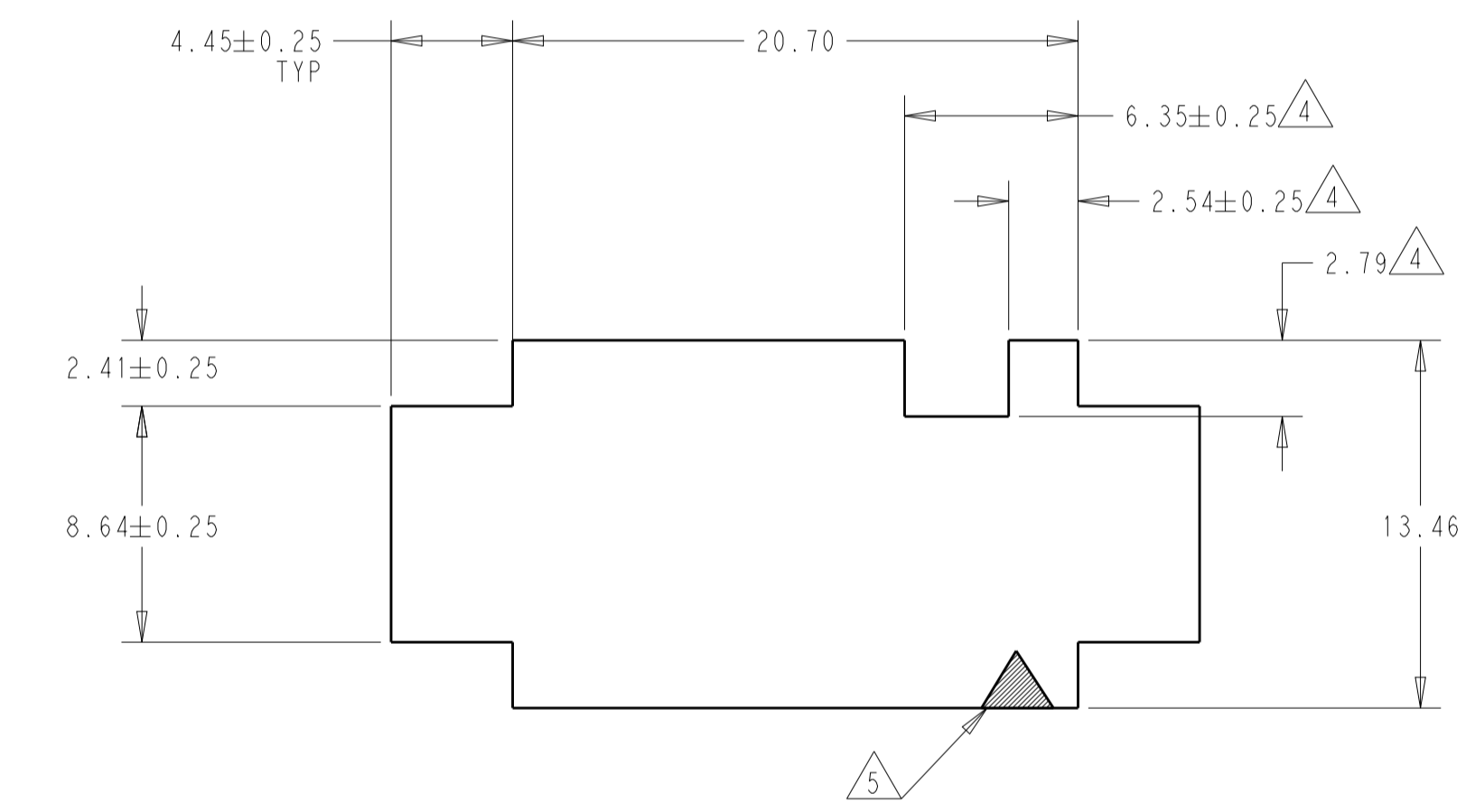
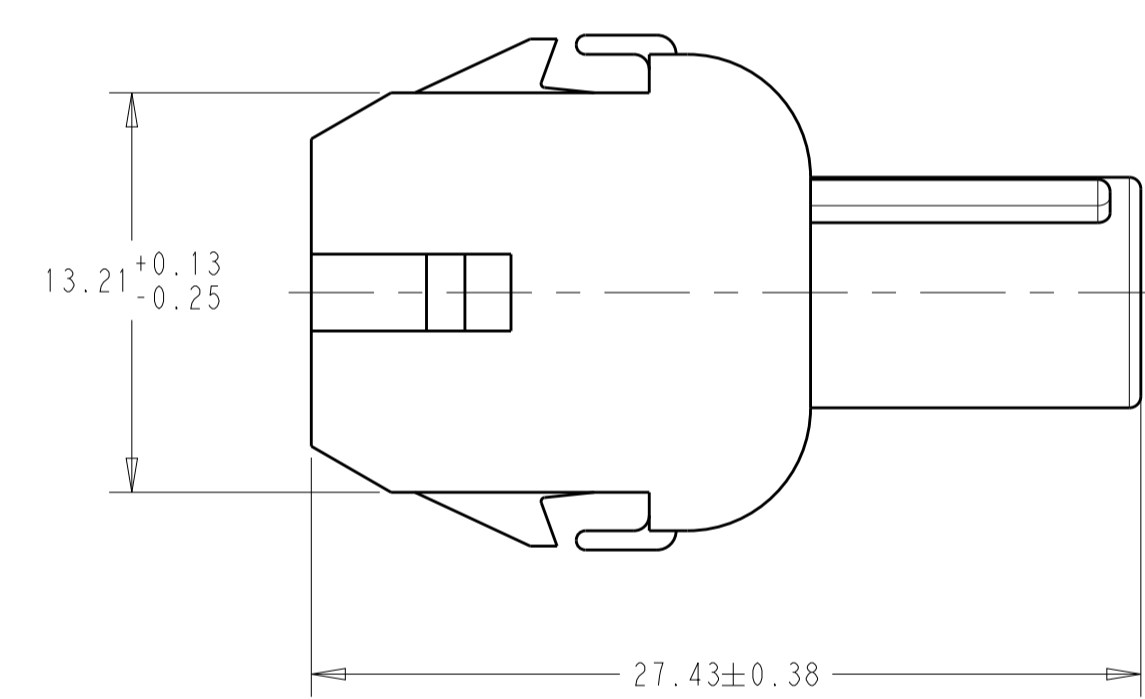
REVISIONS				
P	LTN	DESCRIPTION	DATE	APVD
	Y5	REDRAWN PER ECO-19-005708	01MAY2019	BKW SF



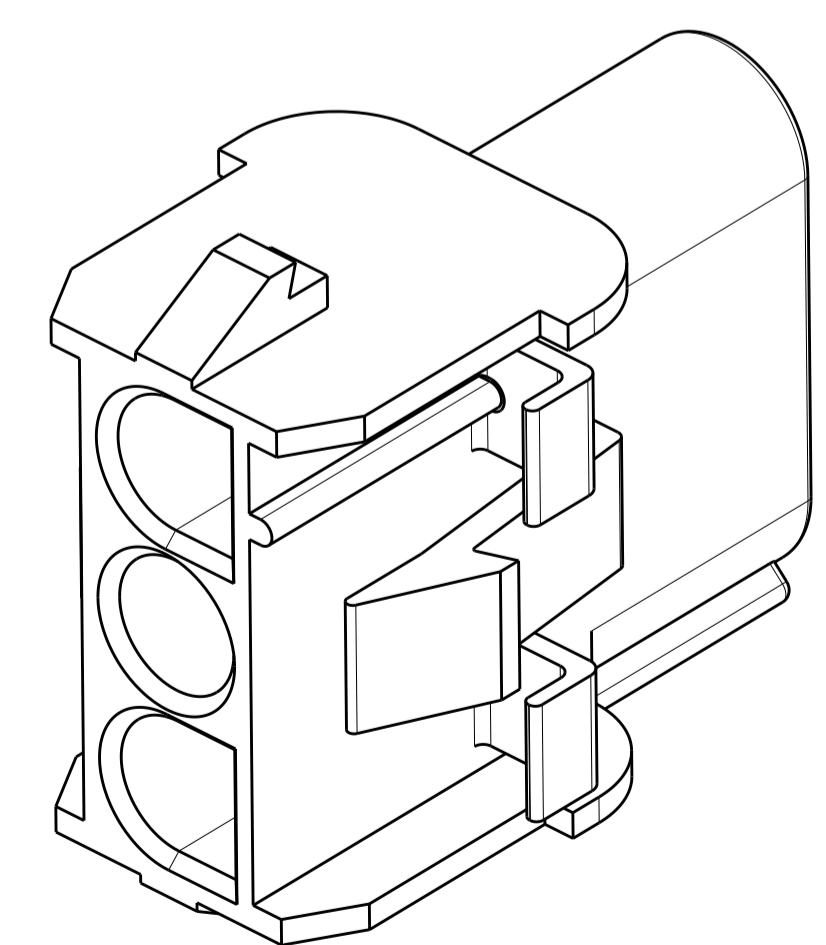
1. MATES WITH APPROPRIATE UNIVERSAL MATE-N-LOCK™ PLUG
2. RECOMMENDED PANEL THICKNESS 0.76 - 2.29.
3. PANEL MUST BE PUNCHED SO THAT THE HOUSING ENTERS THE PANEL IN THE SAME DIRECTION AS THE PUNCH.
4. OPTIONAL FOR KEYING HOUSING IN PANEL.
5. CIRCUIT NUMBER 1 LOCATION.
6. DIMENSIONS SHOWN REPRESENT PRODUCT IN DRY, AS MOLDED, CONDITION. ADDITIONAL 2% GROWTH DUE TO SUBSEQUENT MOISTURE ABSORPTION MAY OCCUR AND SHOULD BE ACCOUNTED FOR.
7. FOUR RIBS EQUALLY SPACED, NO SPECIFIC ORIENTATION. NO RIBS OR SIX RIBS EQUALLY SPACED, NO SPECIFIC ORIENTATION, OPTIONAL.
8. FOR FOREIGN PRODUCTION ONLY.
9. UNDERWRITERS RECOGNIZED COMPONENT LOGO AND CSA CERTIFICATION LOGO TO BE LOCATED ONCE EACH ON SIDE OF HOUSING.
10. TRADEMARK LOCATION: AMP OR TE



DETAIL A
OPTIONAL CONSTRUCTIONS



RECOMMENDED PANEL CUT OUT



COLOR	MATERIAL	PART NUMBER
BLACK	NYLON UL94V-0	1-350767-9
GRAY	NYLON UL94V-0	1-350767-8
BLUE	NYLON UL94V-0	1-350767-6
GREEN	NYLON UL94V-0	1-350767-5
YELLOW	NYLON UL94V-0	1-350767-4
ORANGE	NYLON UL94V-0	1-350767-3
RED	NYLON UL94V-0	1-350767-2
BROWN	NYLON UL94V-0	1-350767-1
8	NYLON UL94V-0	350767-2
NATURAL	NYLON UL94V-0	350767-1

THIS DRAWING IS A CONTROLLED DOCUMENT.

DIMENSIONS:	TOLERANCES UNLESS OTHERWISE SPECIFIED:	OWN: B. WEAVER 01MAY2019	NAME: CAP, 3 CIRCUIT, UNIVERSAL MATE-N-LOCK
mm	0 PLC ±	CHK: S. FERNANDES 01MAY2019	-
	1 PLC ±	APVD: T. BENCHOFF 01MAY2019	-
	2 PLC ±	PRODUCT SPEC	-
	3 PLC ±	APPLICATION SPEC	-
	4 PLC ±0.13	SIZE	CAGE CODE DRAWING NO
	ANGLES ±	WEIGHT	RESTRICTED TO
	FINISH ±	CUSTOMER DRAWING	A 00779 C=350767

TE Connectivity

SCALE 4:1 SHEET 1 OF 1 REV Y5