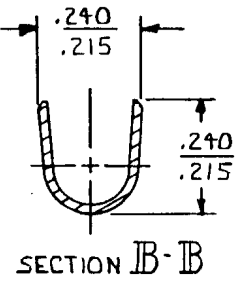
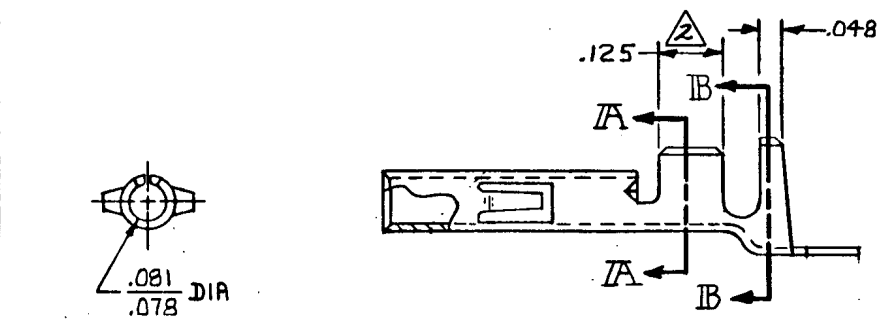
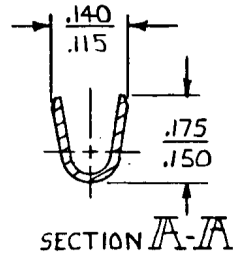
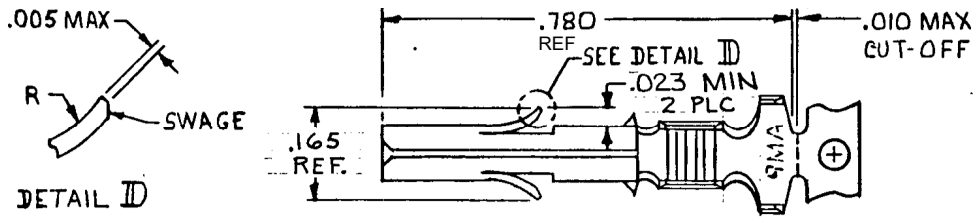


© COPYRIGHT — BY —

| REVISIONS | | | | | | |
|-----------|---|------|-----|---------------------------|-----------|----------|
| P | F | ZONE | LTR | DESCRIPTION | DATE | APPROVED |
| | | | T | REVISED PER ECR-12-013323 | 11AUG12 | TM |
| | | | T1 | REVISED PER ECR-19-001179 | 08FEB2019 | SF |



⚠ INSULATION RANGE: .130-.200 DIA.

| | | | |
|-------------------|---------|--------------|----------|
| | | | |
| 350919-3 | PRE-TIN | .012 PH. BRZ | 350874-3 |
| | | .012 BRASS | |
| | PRE-TIN | | 350874-1 |
| LOOSE PIECE (REF) | FINISH | MATERIAL | PART NO |

| | | |
|---|-------------|----------------------------|
| UNLESS OTHERWISE SPECIFIED DIMENSIONS ARE IN INCHES. TOLERANCES ON: DECIMALS ±.015 ANGLES ± | CONTRACT NO | |
| | DR | <i>m. Fehrer 9-22-81</i> |
| | CHK | <i>D.S. Weide 6/9/81</i> |
| | APPD | <i>D. Polachuk 6-10-81</i> |
| WIRE RANGE | DSGN APPD | |
| 18-14 AWG | OTHER APPD | |
| INSULATION RANGE | | |
| ⚠ | | |

| | | |
|------------------------------------|---------------|---------------|
| STE TE Connectivity | | |
| NAME SOCKET, UNIVERSAL MATE-N-LOK™ | | |
| SIZE | CODE IDENT NO | DRAWING NO |
| B | 00779 | 350874 |
| SCALE 4-1 | SHEET | |