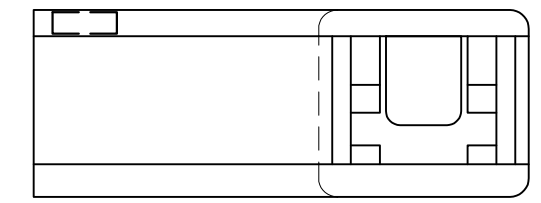
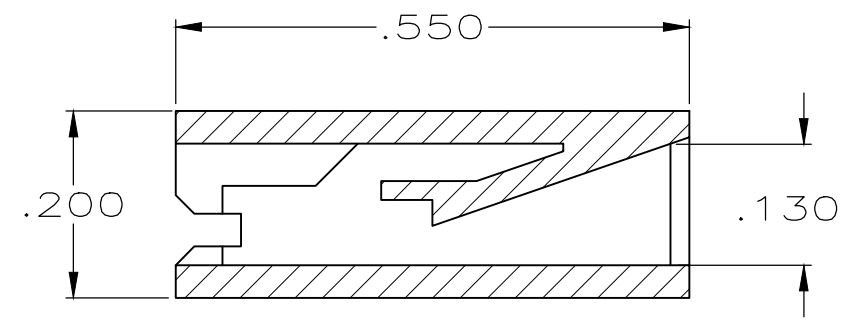
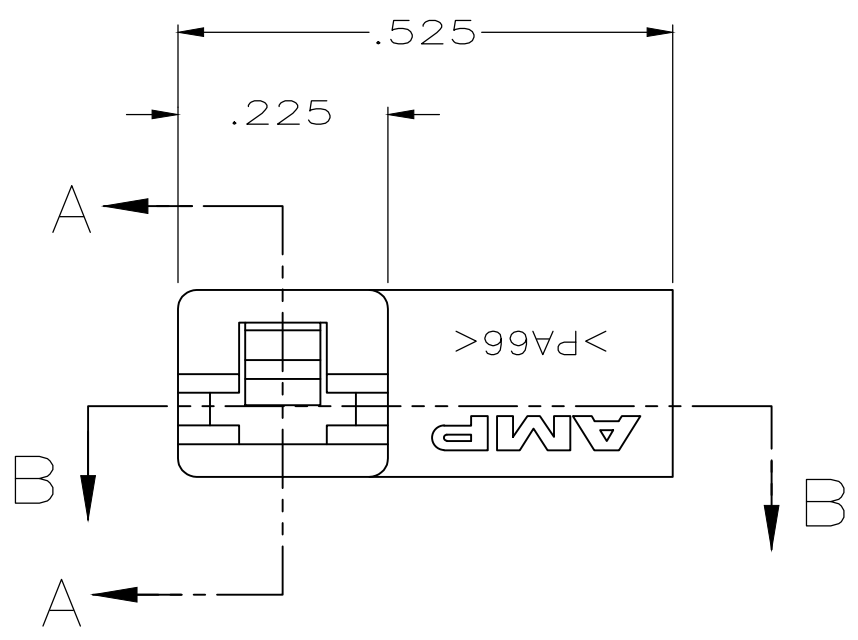
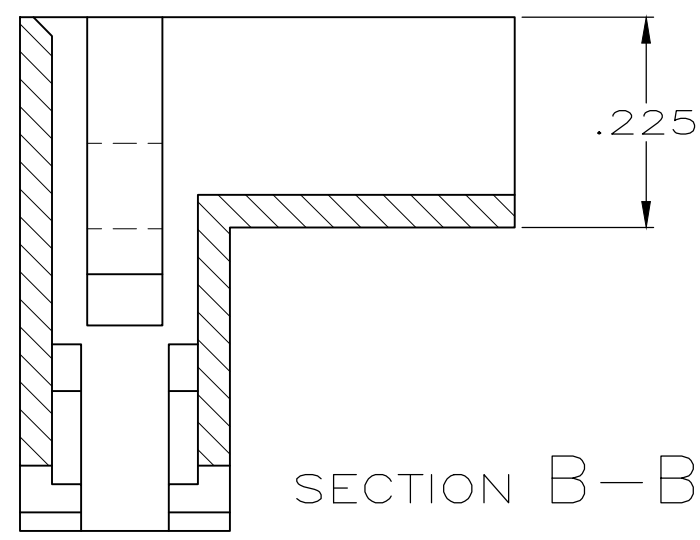


DRAWING MADE IN THIRD ANGLE PROJECTION

THIS DRAWING IS UNPUBLISHED. RELEASED FOR PUBLICATION, 19 .
 © COPYRIGHT 19 BY AMP INCORPORATED. ALL INTERNATIONAL RIGHTS RESERVED.

LOC	DIST	P	F	REVISIONS			
ZONE	LTR	DESCRIPTION	DATE	APPD			
AF	50			D1	REVISED PER ECR-19-009702	26AUG2019	BDA/DS



- 1 TO BE USED WITH TERMINAL #61070.
- 2 THIS PRODUCT HAS NOT COMPLETED VALIDATION TESTING AGENCY CERTIFICATION PENDING
- 3 PRELIMINARY PART

MATERIAL	PART NO
NYLON V0	360040-2
NYLON V2	360040-1

DO NOT SCALE PRINT. UNLESS SPECIFIED DIMENSIONS ARE IN INCHES. TOLERANCES ON: 2 PLC DEC ± - 3 PLC DEC ± .015 ANGLES ± -		DR 2/4/91 JR RUTH	TE TE Connectivity		
MATERIAL 6/6 NYLON		CHK 2/4/91 P FORTNEY			
FINISH NATURAL		APPD 2/4/91 C MEYERS	NAME HOUSING, FASTON™ .110 SERIES		
MATERIAL 6/6 NYLON		APPD 2/4/91 D REINER	SIZE B	CAGE CODE 00779	DRAWING NO 360040
FINISH NATURAL		PRODUCT SPEC -	SCALE 5:1	SHEET 1 OF 1	
FINISH NATURAL		APPLICATION SPEC -	CUSTOMER DRAWING		
MATERIAL 6/6 NYLON		WEIGHT -			