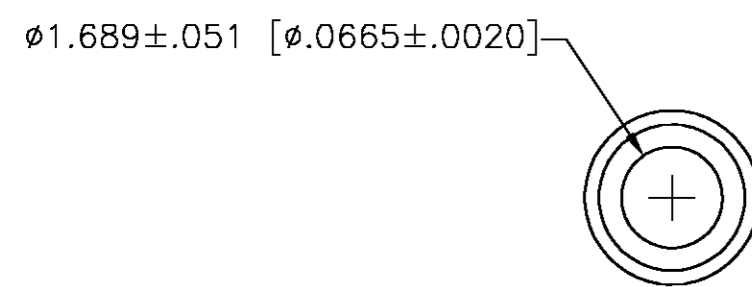
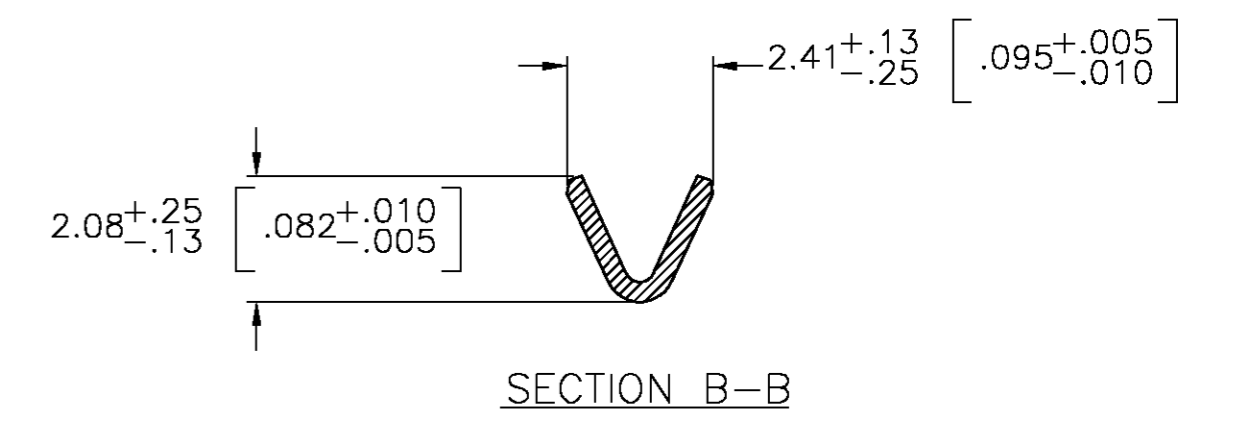
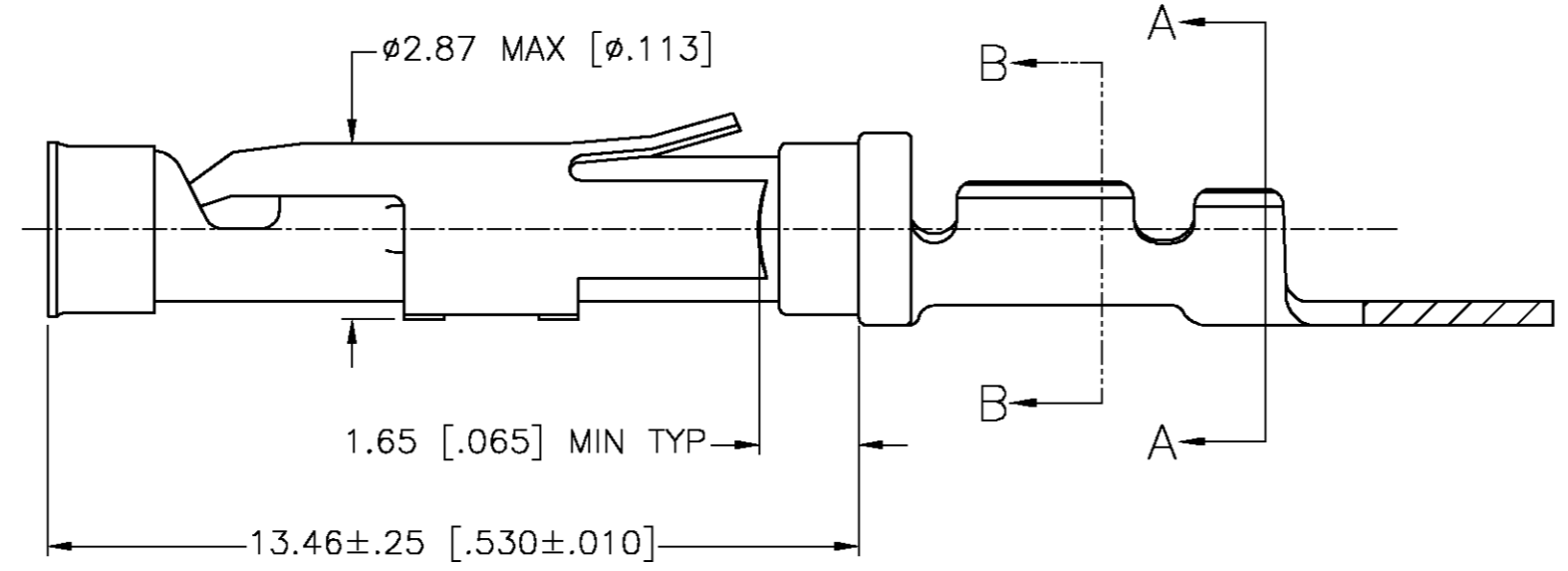
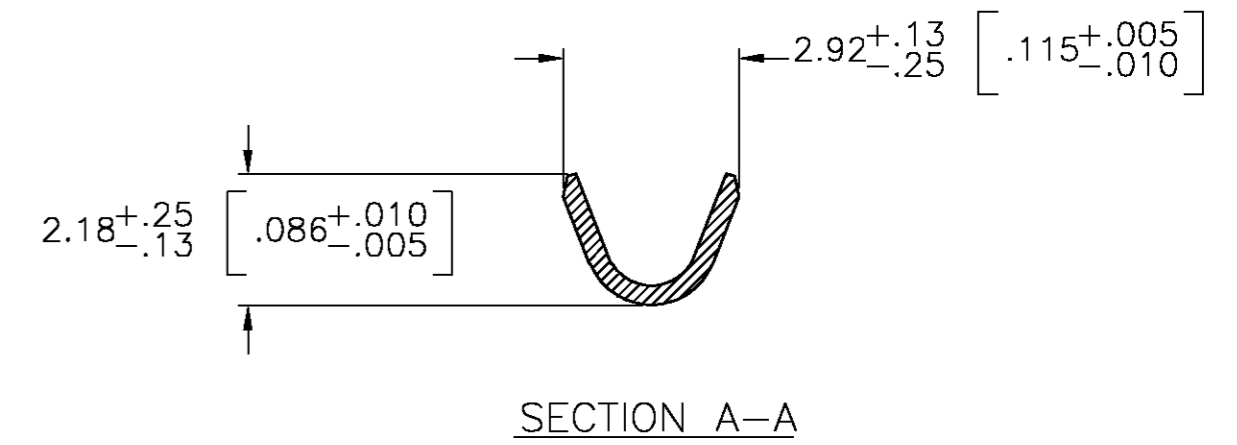
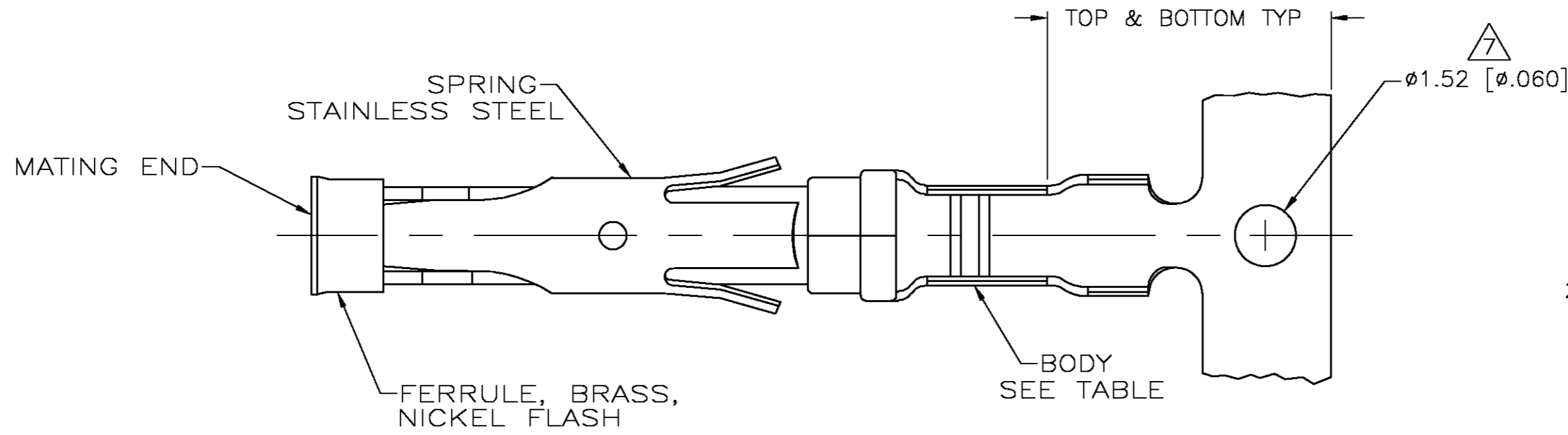


THIS DRAWING IS UNPUBLISHED. RELEASED FOR PUBLICATION
 © COPYRIGHT BY TYCO ELECTRONICS CORPORATION. ALL RIGHTS RESERVED.

LOC		DIST		REVISIONS			
P	LTR	DESCRIPTION	DATE	DWN	APVD		
FT	0	AV	REVISED PER 0G3B-0956-04	11/23/04	SS	GS	



- 1 0.76µm [.000030] MIN GOLD PER MIL-G-45204 ON MATING END FOR A LENGTH OF 5.08 [.200] MIN WITH GOLD FLASH ON THE REMAINDER OVER 0.76µm [.000030] MIN NICKEL PER QQ-N-290.
- 2 1.27µm [.000050] MIN TIN-LEAD PER MIL-T-10727 OVER 0.76µm [.000030] MIN NICKEL PER QQ-N-290.
- 3 0.76µm [.000030] MIN GOLD PER MIL-G-45204 ON MATING END FOR A LENGTH OF 5.08 [.200] MIN WITH A UNIFORM GRADIENT TO 0.25 [.000010] MIN GOLD PER MIL-G-45204 ON THE REMAINDER OVER 0.76µm [.000030] NICKEL PER QQ-N-290.
- 4 0.38µm [.000015] MIN GOLD PER MIL-G-45204 ON MATING END FOR A LENGTH OF 5.08 [.200] MIN WITH GOLD FLASH ON THE REMAINDER OVER 0.76µm [.000030] MIN NICKEL PER QQ-N-290.
- 5 1.27µm [.000050] MIN GOLD PER MIL-G-45204 ON MATING END FOR A LENGTH OF 5.08 [.200] MIN WITH GOLD FLASH ON REMAINDER OVER 1.90µm [.000075] MIN NICKEL PER QQ-N-290.
- 6 0.15µm [.000020] MIN GOLD PER MIL-G-45204 ON MATING END FOR A LENGTH OF 5.08 [.200] MIN WITH GOLD FLASH ON REMAINDER OVER 1.27µm [.000050] MIN NICKEL PER QQ-N-290.
- 7 GOLD PLATING NEED NOT APPEAR IN THIS AREA EXCEPT 1-66104-6 & 1-66104-7 HAVE GOLD PLATING ON INSULATION BARREL.
- 8 REVERSE REELED FOR MINI-APPLICATOR.
- 9. WIRE RANGE 24-20 AWG.
INSULATION RANGE 1.02[.040]-2.03[.080].
- 10 0.38µm [.000015] MIN GOLD PER MIL-G-45204 ON MATING END FOR A LENGTH OF 5.08 [.200] MIN, 1.27µm [.000050] MIN TIN-LEAD PER MIL-T-10727 FOR A LENGTH OF 5.69 [.224] MIN ON OPPOSITE END, BOTH OVER 1.27µm [.000050] MIN NICKEL PER QQ-N-290 ON ENTIRE CONTACT.
- 11 0.76µm [.000030] MIN GOLD PER MIL-G-45204 ON MATING END FOR A LENGTH OF 5.08 [.200] MIN WITH GOLD FLASH ON THE REMAINDER OVER 1.27µm [.000050] MIN NICKEL PER QQ-N-290.
- 12 1.27µm [.000050] MIN TIN PER MIL-T-10727 OVER .076µm [.000030] MIN NICKEL PER QQ-N-290.
- 13 0.38µm [.000015] MIN GOLD PER MIL-G-45204 ON MATING END FOR A LENGTH OF 5.08 [.200] MIN, 1.27µm [.000050] MIN TIN PER MIL-T-10727 FOR A LENGTH OF 5.69[.224] MIN ON OPPOSITE END, BOTH OVER 1.27µm [.000050] MIN NICKEL PER QQ-N-290 ON ENTIRE CONTACT.
- 14 PRELIMINARY PART NUMBER.

PLC	FINISH	BODY MATERIAL	LOOSE PIECE REF	PART NO.
8	13	BRASS	-	3-66104-2
8	12	BRASS	-	3-66104-1
8	12	BRASS	1-66105-9	3-66104-0
STANDARD	12	BRASS	1-66105-9	2-66104-9
14	11	BRASS	-	2-66104-7
8	10	BRASS	1-66105-4	2-66104-6
8	2	BRASS	-	2-66104-5
8	1	PHOSPHOR BRONZE	1-66105-3	2-66104-3
OBSOLETE	2	PHOSPHOR BRONZE	1-66105-2	2-66104-2
OBSOLETE	6	BRASS	-	1-66104-9
OBSOLETE	5	BRASS	-	1-66104-7
OBSOLETE	5	BRASS	1-66105-0	1-66104-6
8	1	BRASS	66105-4	66104-9
8	4	BRASS	66105-3	66104-8
8	2	BRASS	66105-2	66104-7
8	3	BRASS	66105-1	66104-6
STANDARD	1	BRASS	66105-4	66104-4
OBSOLETE	4	BRASS	66105-3	66104-3
STANDARD	2	BRASS	66105-2	66104-2
STANDARD	3	BRASS	66105-1	66104-1
REELING	FINISH	BODY MATERIAL	LOOSE PIECE REF	PART NO.

THIS DRAWING IS A CONTROLLED DOCUMENT.

DIMENSIONS: MM [INCHES]	TOLERANCES UNLESS OTHERWISE SPECIFIED:	DWN V. FURLER 22JUL2003	Tyco Electronics Corporation Harrisburg, PA 17105
0 PLC ± -	1 PLC ± -	CHK G. STEINHAEUER 22JUL03	
2 PLC ± 0.13 [.005]	3 PLC ± -	APVD G. STEINHAEUER 22JUL03	NAME: SOCKET ASSEMBLY, .062 TYPE III+
4 PLC ± -	ANGLES ± -	PRODUCT SPEC	SIZE: A2 CAGE CODE: 00779 DRAWING NO: C=66104
MATERIAL: SEE CALLOUTS	FINISH: SEE CALLOUTS	APPLICATION SPEC	RESTRICTED TO: -
WEIGHT: -	CUSTOMER DRAWING	SCALE: 8:1 SHEET 1 OF 1 REV AV	