

4

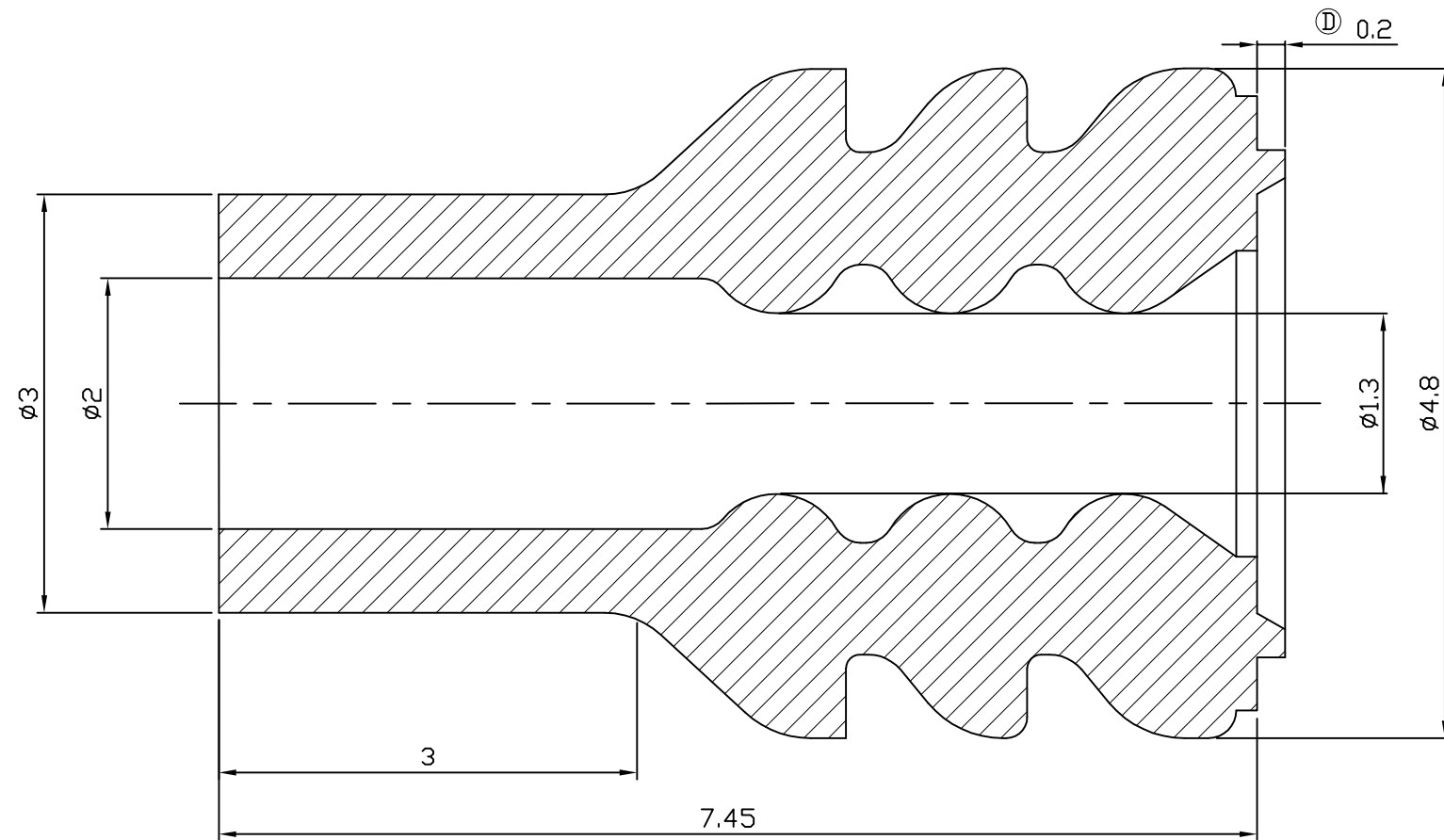
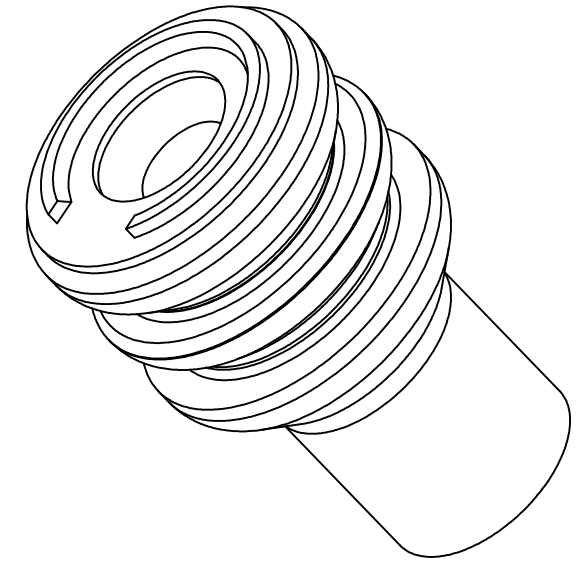
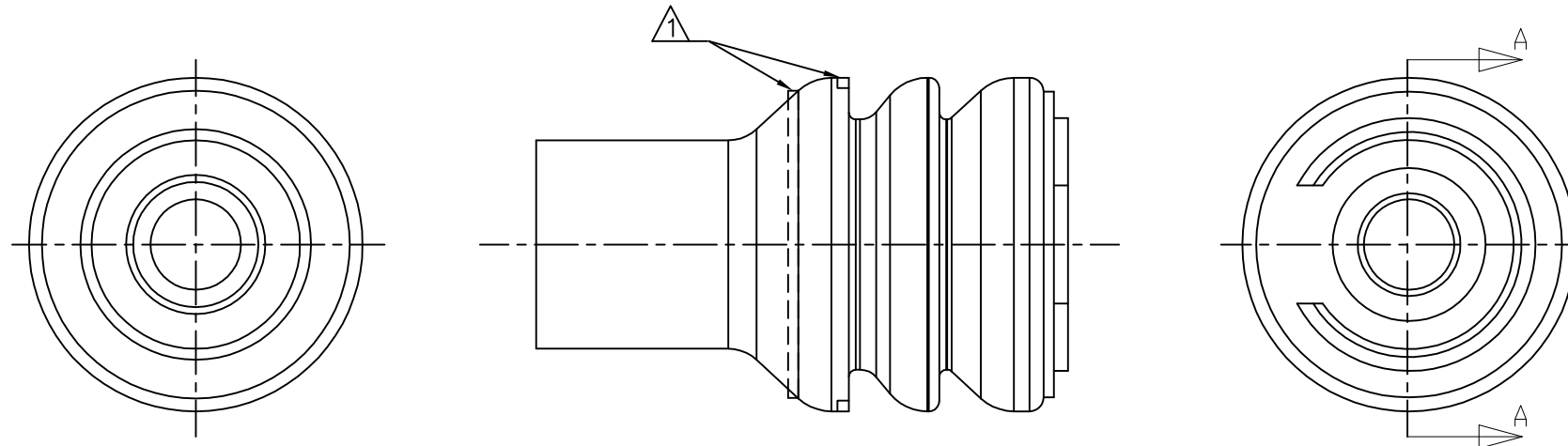
3

2

1

THIS DRAWING IS UNPUBLISHED. RELEASED FOR PUBLICATION
COPYRIGHT BY TYCO ELECTRONICS CORPORATION, ALL RIGHTS RESERVED.


LOC	DIST	REVISIONS					
DS	-	P	LTR	DESCRIPTION	DATE	DWN	APVD
			E1	REVISED (ECR-13-002286)	06.FEB.'13	JM	HG



NOTES
 (E1) Δ ACCEPTABLE OPTION FIGURE BY MANUFACTURING PROCESS BUT MUST BE NO PROBLEM IN FUNCTION.

COLOR	MATERIAL	DESCRIPTION	P/N
RED	SILICONE	WIRE SEAL FOR EJ MK-II(+)	368280-1
RED	SILICONE(LSR)	WIRE SEAL FOR EJ MK-II(+)	1-368280-1

SECTION A-A
(SCALE 20:1)

DIMENSIONS: MM		TOLERANCES UNLESS OTHERWISE SPECIFIED:		DWN		NAME	
$0 < XX < 10$	± 0.2	$10 < XX < 30$	± 0.25	JM JEON	 TE Connectivity		
$30 < XX$	± 0.3	ANGLES	$\pm 3^\circ$	CHK JW JUNG			
MATERIAL: SEE TABLE				FINISH		PRODUCT SPEC: -	
						APPLICATION SPEC: -	
						WEIGHT: -	
						SIZE: A3	
						CAGE CODE: 00779	
						DRAWING NO: C-368280	
						RESTRICTED TO: -	
				CUSTOMER DRAWING		SCALE: 10/1	
						SHEET: 1 OF 1	
						REV: E1	