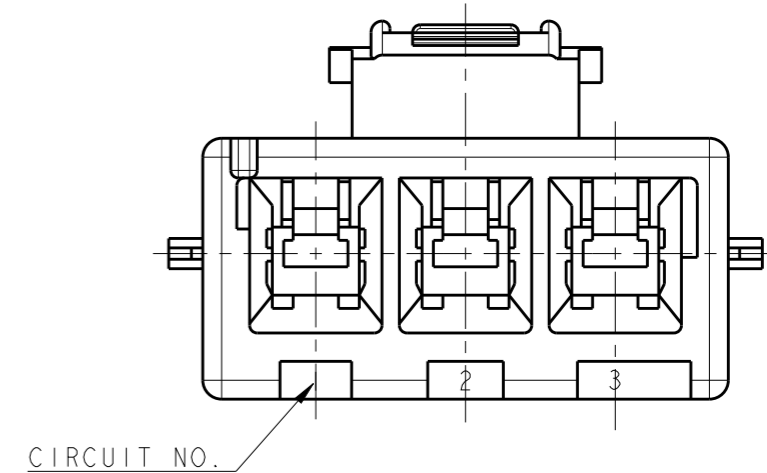
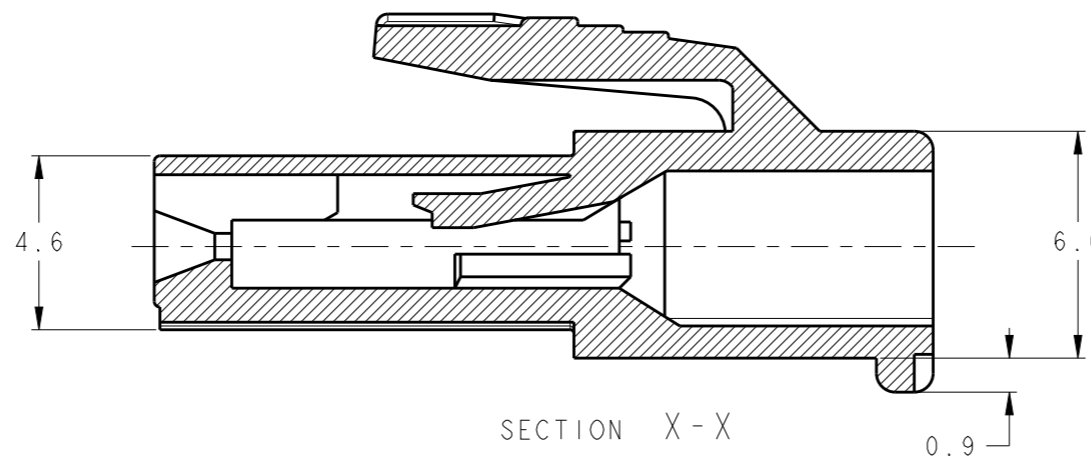
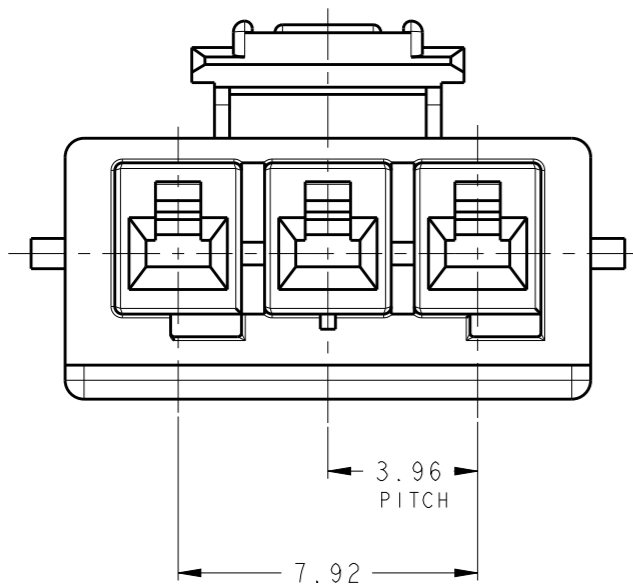
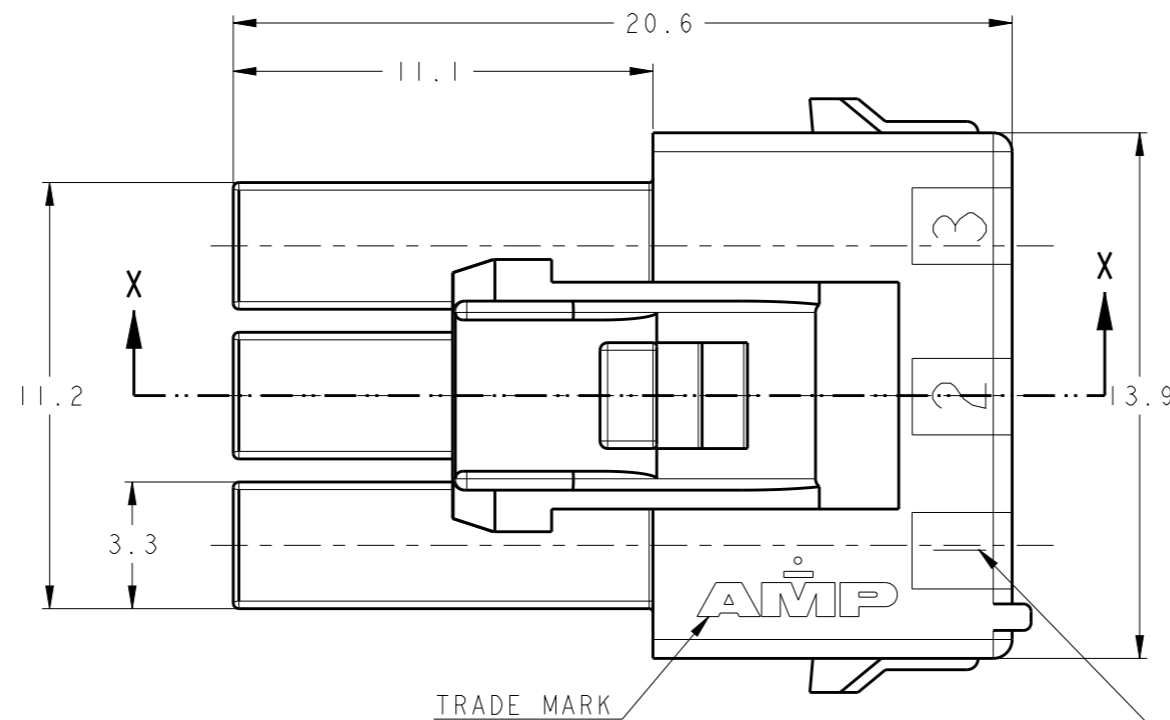


THIS DRAWING IS UNPUBLISHED. RELEASED FOR PUBLICATION 20
 © COPYRIGHT 20 BY - ALL RIGHTS RESERVED.

REVISIONS					
P	LTR	DESCRIPTION	DATE	DWN	APVD
C		REVISED PER ECR-09-011788	05MAY09	SC	JK
CI		REVISED PER ECR-13-016595	25OCT13	KD	BW
D		REVISED PER ECR-19-009721	01JUL2019	M.G	D.Z
DI		REVISED PER ECR-20-006080	27APR2020	SC	D.Z



- NOTES,
- APPLICABLE RECEPTACLE TERMINAL:
 -REC CONTACT: 177915-□ (AWG#16-#20)
 : 177914-□ (AWG#22-#26)
 - MATING CONN. P/N:
 -CAP HSG: 368572-□ (FREE HANGING)
 2005250-□ (PANEL MOUNT)
 -TAB CONTACT: 177917-□ (AWG#16-#20)
 177916-□ (AWG#22-#26)
 -PC BOARD MOUNT(ASS'Y): 179839-□
 - APPLICABLE DOUBLE LOCK PLATE: 177919-1
 - GENERAL TOLERANCES: ±0.3

5 MATERIAL: PA66, UL94V-0,
 COMPLY WITH GLOW WIRE REQUIREMENT FOR PARTS OF NON-METALLIC
 MATERIAL SUPPORTING A CURRENT-CARRYING CONNECTION DETAILED
 IN IEC 60335-1, SECTION 30(GWT)

368571-9	BLACK
368571-6	BLUE
368571-4	YELLOW
368571-2	RED
368571-1	NATURAL
P/N	COLOR

THIS DRAWING IS A CONTROLLED DOCUMENT.		DWN KD CHEON		TE Connectivity													
DIMENSIONS: mm		CHK BH CHO															
TOLERANCES UNLESS OTHERWISE SPECIFIED:		APVD BW KANG		NAME PDL 3P PLUG HSG 3.96mm (GWT)													
<table border="0"> <tr> <td>0 PLC</td> <td>±</td> </tr> <tr> <td>1 PLC</td> <td>±</td> </tr> <tr> <td>2 PLC</td> <td>±</td> </tr> <tr> <td>3 PLC</td> <td>±</td> </tr> <tr> <td>4 PLC</td> <td>±</td> </tr> <tr> <td>ANGLES</td> <td>±</td> </tr> </table>		0 PLC	±	1 PLC	±	2 PLC	±	3 PLC	±	4 PLC	±	ANGLES	±	PRODUCT SPEC 108-5410		SIZE	
0 PLC	±																
1 PLC	±																
2 PLC	±																
3 PLC	±																
4 PLC	±																
ANGLES	±																
MATERIAL 5		FINISH -		APPLICATION SPEC 114-5175													
		WEIGHT -		CAGE CODE A300779													
		CUSTOMER DRAWING		DRAWING NO C-368571													
				RESTRICTED TO -													
				SCALE 2:1													
				SHEET 1 OF 2													
				REV DI													

4

3

2

1

THIS DRAWING IS UNPUBLISHED.

RELEASED FOR PUBLICATION

20

© COPYRIGHT 20 BY -

ALL RIGHTS RESERVED.

REVISIONS

P	LTR	DESCRIPTION	DATE	DWN	APVD
		SEE SHEET 1			

CIRCUIT NO.

SECTION X-X

CIRCUIT NO.

NOTES,

1. APPLICABLE RECEPTACLE TERMINAL:

-REC CONTACT: 1743729-□ OR 2369500-□ (AWG#16-#20)
 : 1743728-□ OR 2369501-□ (AWG#22-#26)

2. MATING CONN. P/N:

-CAP HSG: 5-368572-□ (FREE HANGING)
 -TAB CONTACT: 177917-□ OR 2369503-□ (AWG#16-#20)
 177916-□ OR 2369502-□ (AWG#22-#26)


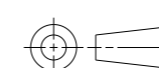
3. APPLICABLE DOUBLE LOCK PLATE:

-FOR AWG#20: 2-2360442-0 AND 2-2360443-0
 -FOR AWG#24: 2-2360442-4 AND 2-2360443-4

4. GENERAL TOLERANCES: ± 0.3

5 MATERIAL: PA66, UL94V-0,
 COMPLY WITH GLOW WIRE REQUIREMENT FOR PARTS OF NON-METALLIC
 MATERIAL SUPPORTING A CURRENT-CARRYING CONNECTION DETAILED
 IN IEC 60335-1, SECTION 30(GWT)

PRELIMINARY	5-368571-1	NATURAL
	P/N	COLOR

THIS DRAWING IS A CONTROLLED DOCUMENT.		DWN SC KIM 27APR2020	 TE Connectivity	
DIMENSIONS: mm		CHK -		
TOLERANCES UNLESS OTHERWISE SPECIFIED:		APVD DANIEL ZHANG 27APR2020	NAME FOAMING PROOF PLUG HSG 3P	
		PRODUCT SPEC 108-5410	SIZE A3	
MATERIAL 5		APPLICATION SPEC 114-5175	CAGE CODE 00779	DRAWING NO C-368571
FINISH -		WEIGHT -	RESTRICTED TO -	
CUSTOMER DRAWING			SCALE 5:1	SHEET 2 OF 2
			REV D1	

1470-19 (3/13)