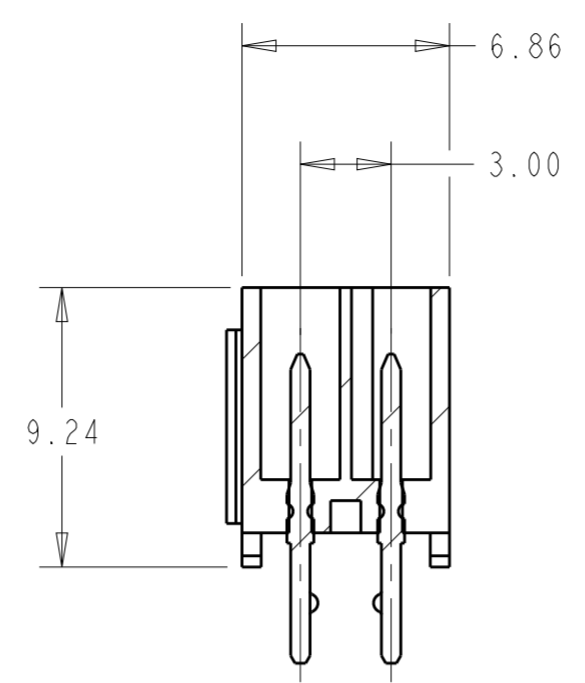
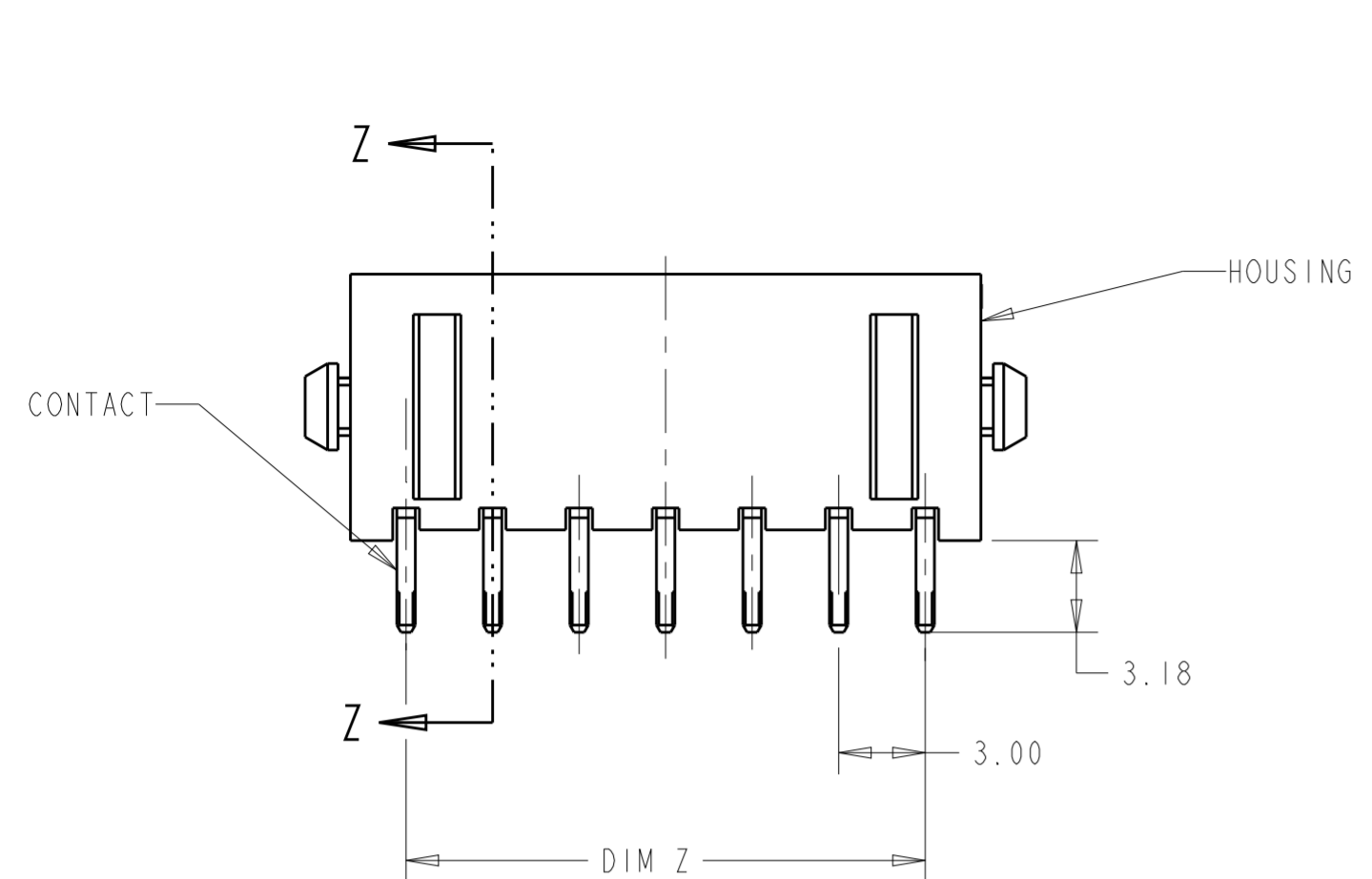
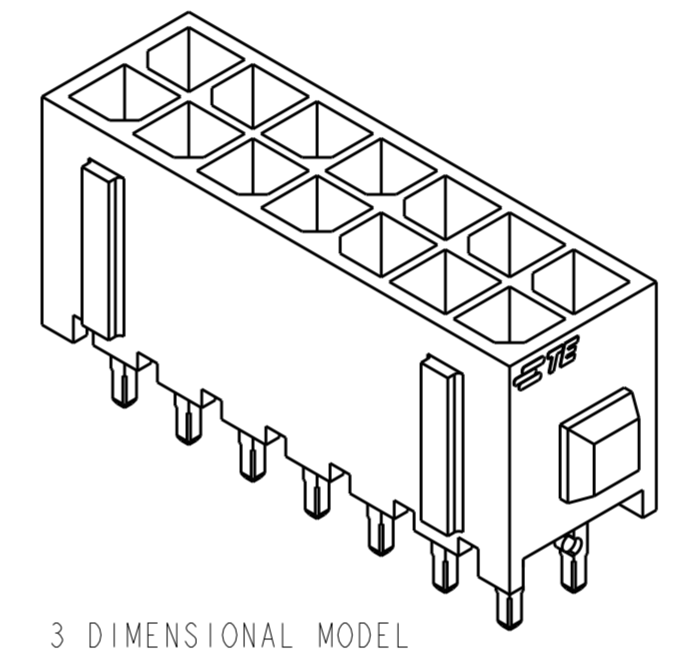
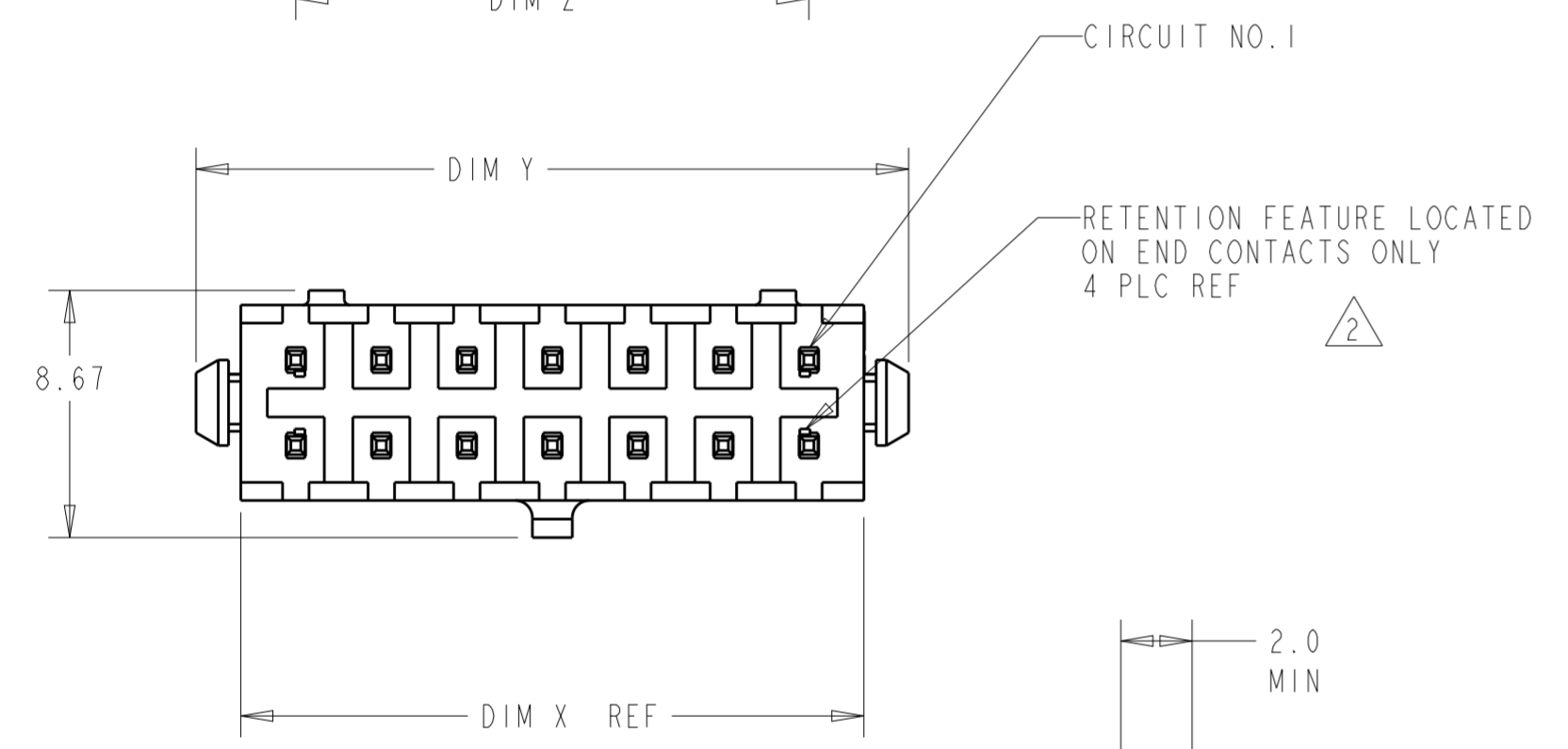


THIS DRAWING IS UNPUBLISHED. RELEASED FOR PUBLICATION
 © COPYRIGHT 20 BY - ALL RIGHTS RESERVED.

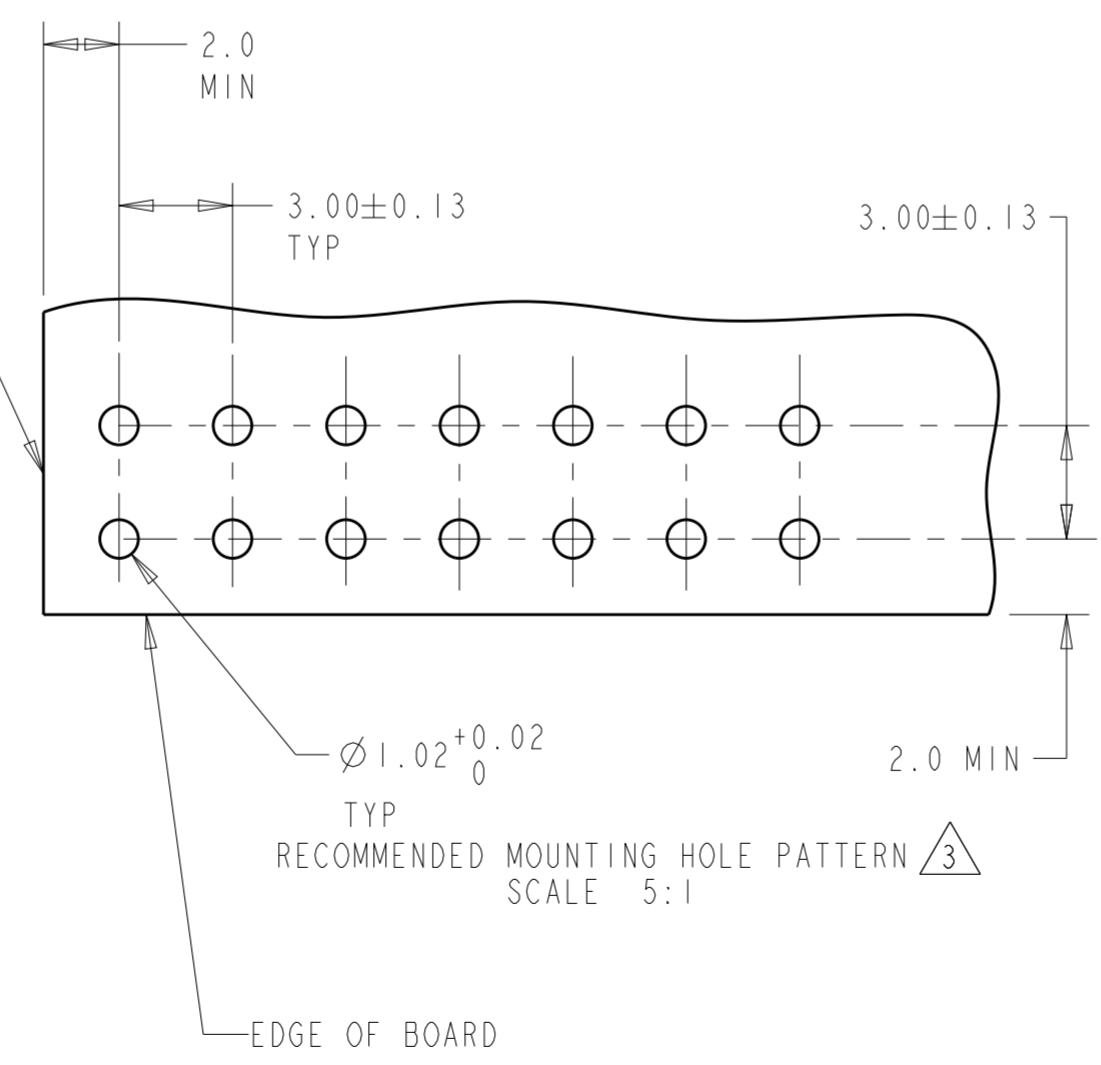
REVISIONS					
P	LTR	DESCRIPTION	DATE	DWN	APVD
E1		REVISED PER ECR-16-011494	21JUN2017	NK	CX
E2		REVISED PER ECO-19-002679	20FEB2019	WLS	WLS
E3		ECO-19-006502	29APR2019	AP	WS



SECTION Z-Z



3 DIMENSIONAL MODEL



- 1 MATERIAL: HOUSING - NYLON, UL 94V-0, BLACK.
CONTACT - BRASS.
0.000762 MINIMUM GOLD OVER 0.00254
MINIMUM NICKEL ON MATING AREA. 0.00254
TIN-LEAD MINIMUM OVER 0.00254 NICKEL
MINIMUM ON SOLDER TAILS.
- 2 MAXIMUM INSERTION 20 LBS.
- 3 RECOMMENDED BOARD THICKNESS 1.57.
- 4 MATERIAL: HOUSING - NYLON, UL 94V-0, BLACK.
CONTACT - BRASS.
0.000762 MINIMUM GOLD OVER 0.00254
MINIMUM NICKEL ON MATING AREA. 0.00254
MATTE TIN MINIMUM OVER 0.00254 NICKEL
MINIMUM ON SOLDER TAILS.
- 5 PACKING TYPE: TRAY.
- 6 PACKING TYPE: TAPE & REEL.

6	4	16.00	9.00	12.86	8	6-794632-8		
5	4	40.00	33.00	36.86	24	5-794632-4		
5	4	37.00	30.00	33.86	22	5-794632-2		
5	4	34.00	27.00	30.86	20	5-794632-0		
5	4	31.00	24.00	27.86	18	4-794632-8		
5	4	28.00	21.00	24.86	16	4-794632-6		
5	4	25.00	18.00	21.86	14	4-794632-4		
5	4	22.00	15.00	18.86	12	4-794632-2		
5	4	19.00	12.00	15.86	10	4-794632-0		
5	4	16.00	9.00	12.86	8	3-794632-8		
5	4	13.00	6.00	9.86	6	3-794632-6		
5	4	10.00	3.00	6.86	4	3-794632-4		
5	4	7.00	-	3.86	2	3-794632-2		
		SUPERSEDED BY 5-794632-4	-	40.00	33.00	36.86	24	2-794632-4
		SUPERSEDED BY 5-794632-2	-	37.00	30.00	33.86	22	2-794632-2
		SUPERSEDED BY 5-794632-0	-	34.00	27.00	30.86	20	2-794632-0
		SUPERSEDED BY 4-794632-8	-	31.00	24.00	27.86	18	1-794632-8
		SUPERSEDED BY 4-794632-6	-	28.00	21.00	24.86	16	1-794632-6
		SUPERSEDED BY 4-794632-4	-	25.00	18.00	21.86	14	1-794632-4
		SUPERSEDED BY 4-794632-2	-	22.00	15.00	18.86	12	1-794632-2
		SUPERSEDED BY 4-794632-0	-	19.00	12.00	15.86	10	1-794632-0
		SUPERSEDED BY 3-794632-8	-	16.00	9.00	12.86	8	794632-8
		SUPERSEDED BY 3-794632-6	-	13.00	6.00	9.86	6	794632-6
		SUPERSEDED BY 3-794632-4	-	10.00	3.00	6.86	4	794632-4
		SUPERSEDED BY 3-794632-2	-	7.00	-	3.86	2	794632-2
PACKING	FINISH	DIM Y	DIM Z	DIM X	NO. OF POSN.	PART NUMBER		

THIS DRAWING IS A CONTROLLED DOCUMENT.

DIMENSIONS: mm [INCHES]	TOLERANCES UNLESS OTHERWISE SPECIFIED: 0 PLC ± 1 PLC ± 2 PLC ±0.20 [0.008] 3 PLC ± 4 PLC ± ANGLES ± FINISH	DWN B. HAYMAKER 16AUG99 CHK K. COBLE 16AUG99 APVD K. COBLE 16AUG99	TE Connectivity NAME VERTICAL HEADER ASSEMBLY, THRU HOLE, 30 GOLD, DUAL ROW, MICRO MATE-N-LOK™
MATERIAL SEE TABLE	SEE TABLE	PRODUCT SPEC 108-1836 APPLICATION SPEC 114-13000 WEIGHT -	

CUSTOMER DRAWING SCALE 4:1 SHEET 1 OF 1 REV E3