

4

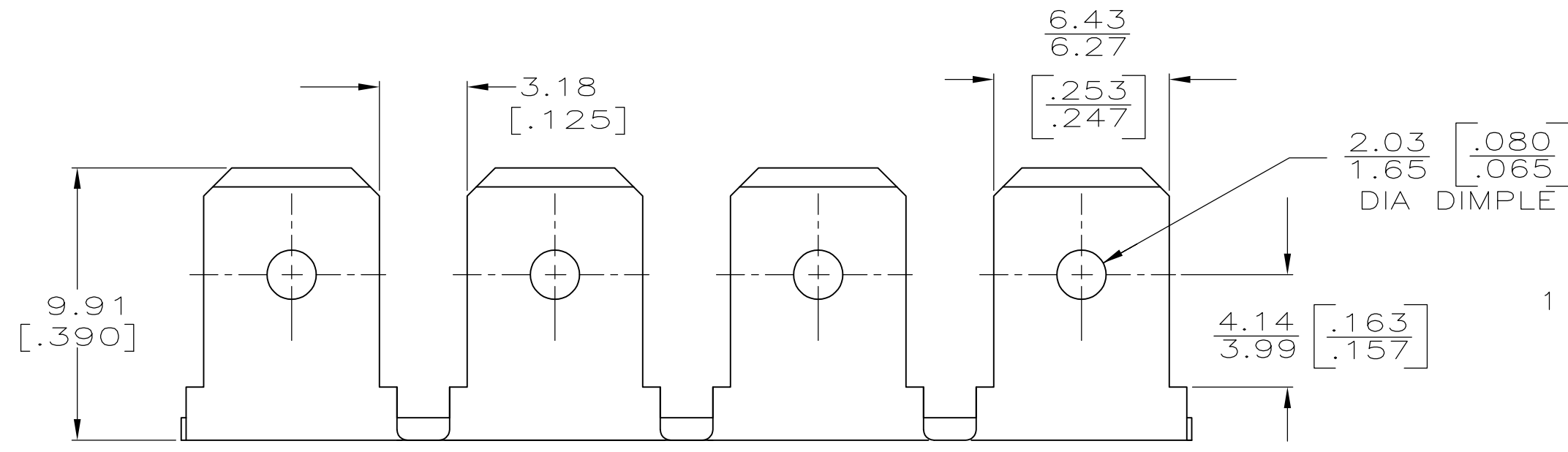
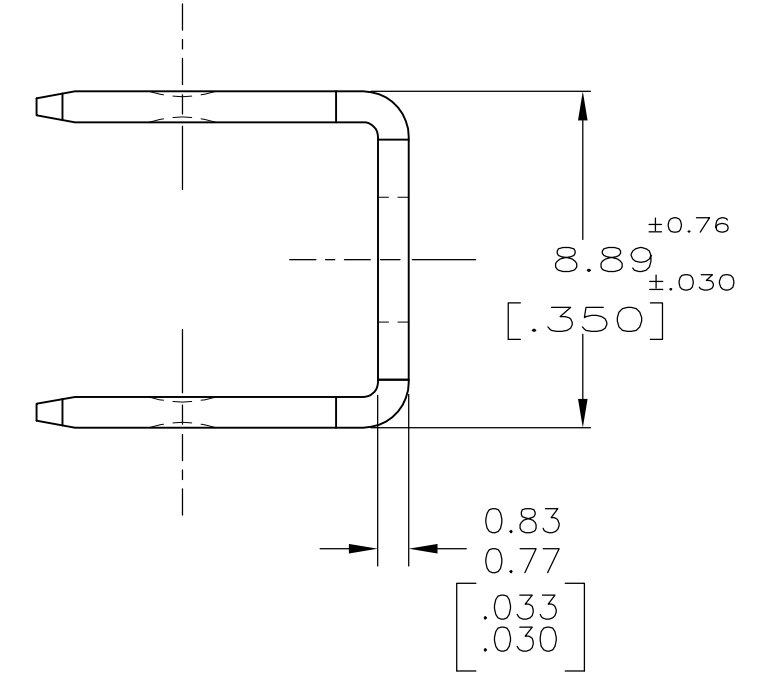
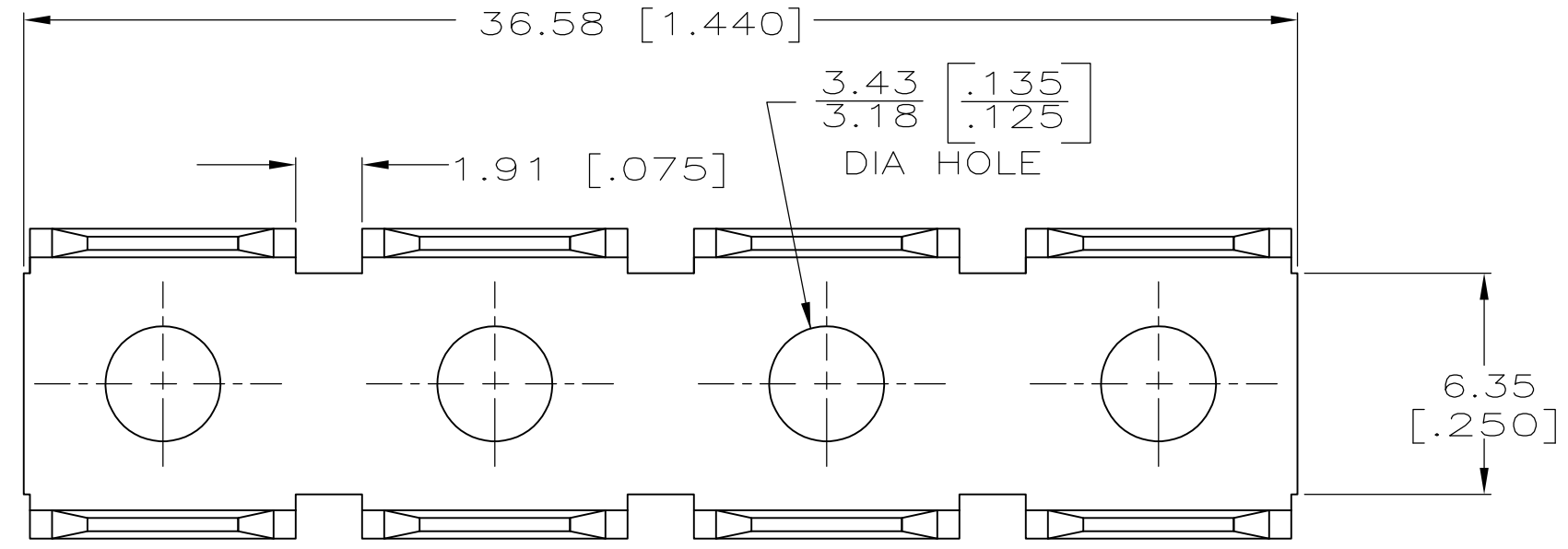
3

2

1


THIS DRAWING IS UNPUBLISHED. RELEASED FOR PUBLICATION
 © COPYRIGHT - By - ALL RIGHTS RESERVED.

LOC	DIST	REVISIONS					
AF	50	P	LTR	DESCRIPTION	DATE	DWN	APVD
			AH	REVISED PER ECR-13-011489	10DEC2013	KH	PD



1 SUPPLIED IN LOOSE PIECE.

41370
PART NO

THIS DRAWING IS A CONTROLLED DOCUMENT.		DWN	JR RUTH	12/2/91	 TE Connectivity		
DIMENSIONS: mm [INCHES]		CHK	MS FEHER	12/2/91			
TOLERANCES UNLESS OTHERWISE SPECIFIED:		APVD	MEYERS	12/2/91			
0 PLC ± - 1 PLC ± - 2 PLC ± - 3 PLC ± 0.38 [.015] 4 PLC ± - ANGLES ± -		PRODUCT SPEC	-				
MATERIAL		APPLICATION SPEC	-		NAME	TAB, FASTON, 6.35 [.250] SERIES	
BRASS		FINISH	-		SIZE	A3	
		WEIGHT	-		CAGE CODE	00779	
		CUSTOMER DRAWING			DRAWING NO	C-41370	
		SCALE			5:1	SHEET	1 OF 1
		RESTRICTED TO			-		
		REV			AH		