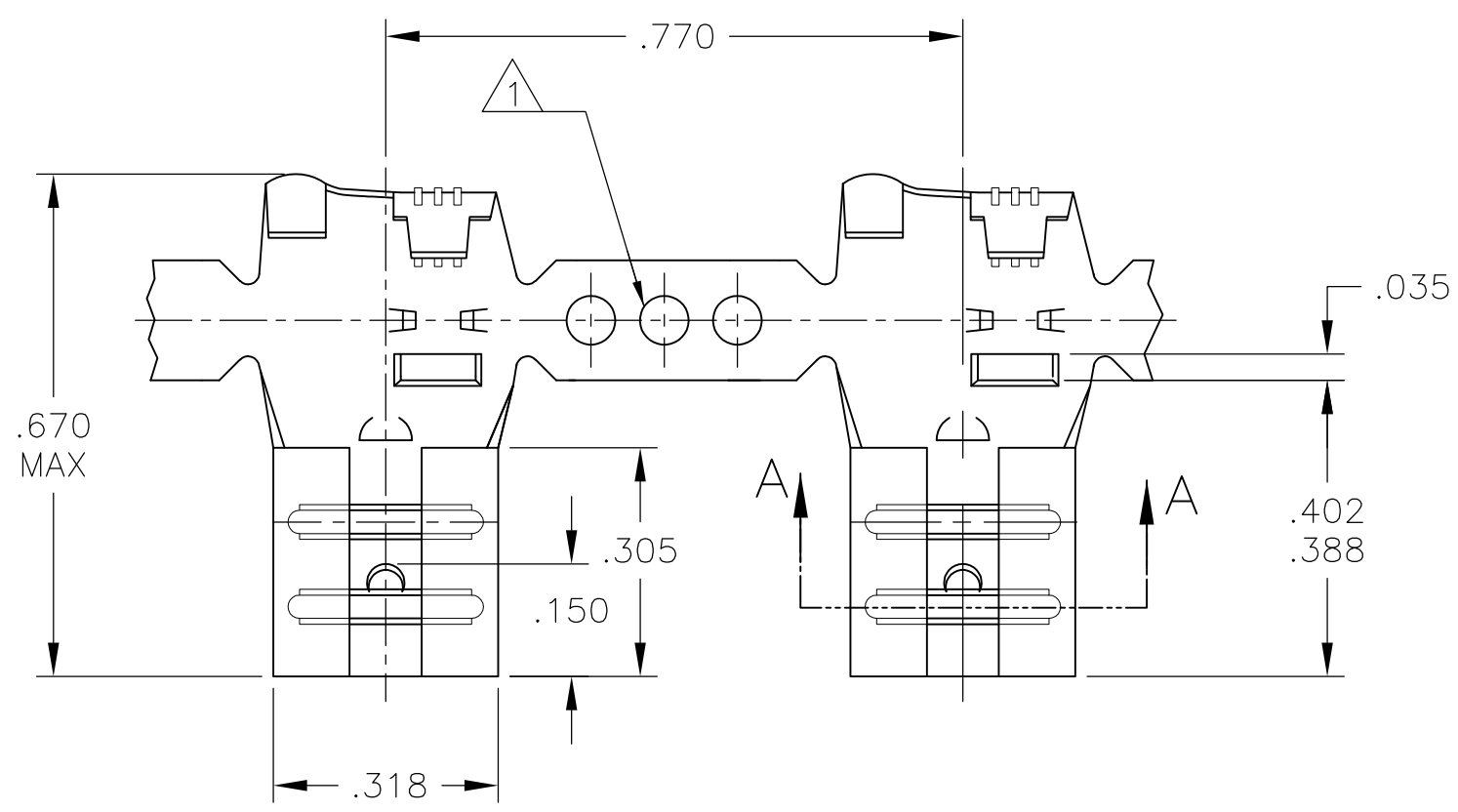
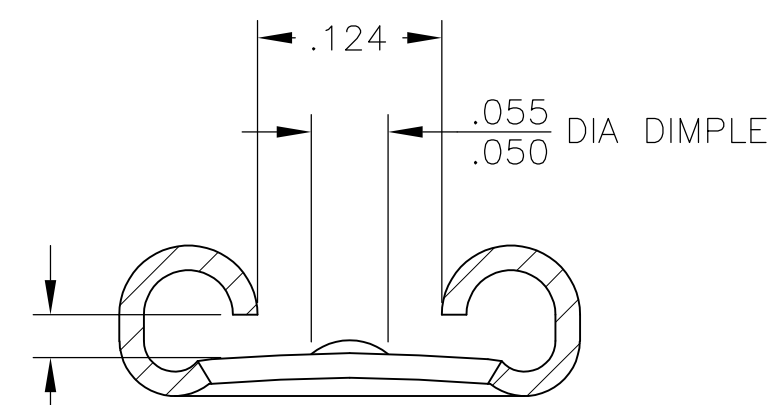


THIS DRAWING IS UNPUBLISHED. RELEASED FOR PUBLICATION
 © COPYRIGHT - By - ALL RIGHTS RESERVED.

| LOC | DIST | REVISIONS | | | |
|-----|------|-------------|---------------------------|-----------|-------|
| P | LTR | DESCRIPTION | DATE | DWN | APVD |
| AF | 50 | Z1 | REVISED PER ECR-14-009718 | 15JUL2014 | NK DC |

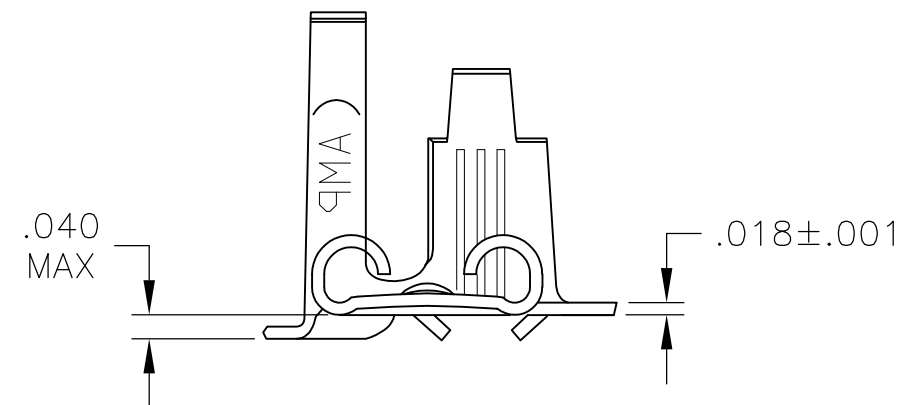



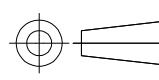
- 1 SINGLE OR DOUBLE PILOT HOLE OPTIONAL
- 2 SPLICES PRESENT ON REEL.



FITS .250 SERIES FASTON TAB

SECTION A-A
SCALE 8:1



| | | | |
|---|-----------|-----------------------------|---|
| .110-.210 | 18-12 | .032 | 41802 |
| INSULATION RANGE | WIRE SIZE | MATING TAB | PART NO |
| THIS DRAWING IS A CONTROLLED DOCUMENT. | | DWN JR RUTH 7/12/89 |  TE Connectivity RECEPTACLE, FASTON, FLAG, .250 SERIES |
| DIMENSIONS: INCHES | | CHK MS FEHER 7/12/89 | |
|  | | APVD C MEYERS 7/12/89 | |
| TOLERANCES UNLESS OTHERWISE SPECIFIED: | | PRODUCT SPEC | NAME |
| 0 PLC ± - | | APPLICATION SPEC | SIZE |
| 1 PLC ± - | | — | CAGE CODE |
| 2 PLC ± - | | — | DRAWING NO |
| 3 PLC ± .015 | | — | RESTRICTED TO |
| 4 PLC ± - | | — | — |
| ANGLES ± - | | — | — |
| MATERIAL BRASS | | FINISH TIN | WEIGHT — |
| — | | A300779 C-41802 | |
| CUSTOMER DRAWING | | SCALE 4:1 | SHEET 1 OF 1 |
| — | | REV Z1 | |